

UDOR®

WATER POWER



Catalogo
Catalogue

POMPE A PISTONI ALTA PRESSIONE
HIGH PRESSURE PLUNGER PUMPS

Indice

Index

Pompe a Pistoni

Plunger Pumps

| | |
|--|-------|
| serie/series PN - PN MI | 15/22 |
| serie/series PK - PK MI | 23/27 |
| serie/series B - B MI | 28/32 |
| serie/series BK - BK MI | 33/35 |
| serie/series C - C MI | 36/42 |
| serie/series CK - CK MI | 43/48 |
| serie/series CX | 49 |
| serie/series CH | 50 |
| serie/series NK - NK MI | 51/56 |
| serie/series NK 500 | 57 |
| serie/series NH 500 | 58 |
| serie/series GAMMA 62 | 59 |
| serie/series GAMMA 3P | 60/61 |
| serie/series GAMMA 6P | 62 |
| serie/series GAMMA-IL 3P | 63 |
| serie/series GAMMA-IL 6P | 64 |
| serie/series PENTA | 65/68 |
| serie/series VX - VX MI | 69/72 |
| serie/series VX6 | 73 |
| serie/series VH | 74 |
| serie/series VY | 75 |
| serie/series VXX - VXX MI | 76/77 |
| serie/series HX/HXR/HXR MI | 78/80 |
| serie/series PS (AISI 316L) | 81/82 |
| serie/series BS (AISI 316L) | 83 |
| serie/series CS (AISI 316L) | 84 |
| serie/series NKS (AISI 316L) | 85/86 |
| serie/series VXS (AISI 316L) | 87 |
| serie/series BCW Car Wash | 88 |
| serie/series PKWT (High Water Temperature 85°C) | 89 |
| serie/series BWT (High Water Temperature 85°C) | 90 |
| serie/series CWT (High Water Temperature 85°C) | 91/93 |

Gruppi, Applicazioni, Accessori

Units, Drive Options, Accessories

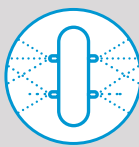
| | |
|--|---------|
| Elettropompe / Pump Motor Units | 94 |
| Motopompe / Pump Engine Units | 95 |
| Gruppi Pompa con Motore Idraulico / Hydraulic Pump Units | 96/97 |
| Riduttori e Moltiplicatori / Reduction and Multiplier Gear Boxes | 99/100 |
| Giunti Elastici / Flexible Couplings | 101 |
| Accoppiamenti Disponibili / Mounting Options | 102/109 |
| Valvole di Regolazione Pressione / Pressure Regulators | 110/112 |
| Valvole di Massima Pressione / Relief Valves | 113 |
| Accessori / Accessories | 114/115 |
| Tabella Ugelli / Nozzles Chart | 116/117 |
| UDOR nel Mondo / UDOR in the World | 118/119 |

Utilizzi principali

Main applications



**Osmosi Inversa/
Dissalatori**
*Reverse Osmosis /
Water Makers*



Irrorazione
Orchard-Spraying



Car-Wash
Car Wash



Pulizia Fognature
Sewer Jetting



Edilizia
Construction



Antincendio
Fire Fighting



Idrodemolizione
Water Jetting



Alimentare e Farmaceutica
Food & Pharma



Idropulitrici
Pressure-Washers



Lavaggio Strade
Road-Sweepers & Washers



Industria Mineraria
Mining



Perforazione
Drilling



Nebulizzazione
Misting



Oil & Gas
Oil & Gas



Disinfezione/Trattamenti Chimici
Pest Control & Disinfection



L'acqua è il nostro elemento.
Water is our element.

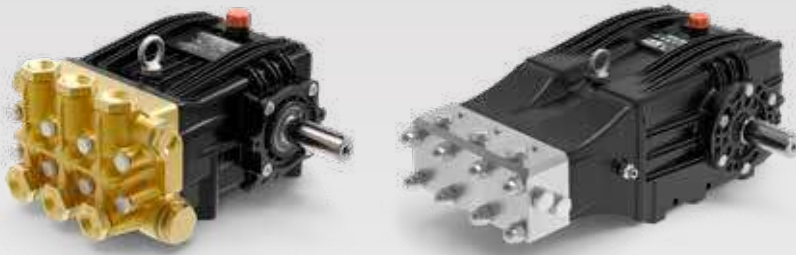


UDOR
WATER POWER

La nostra Azienda *Our Company*







UDOR, dal 1966 UDOR, from 1966

Udor nasce nel 1966 e oggi progetta, produce e distribuisce Pompe a Membrana e Pompe a Pistoni per il pompaggio di acqua a bassa, media e alta pressione, compresa acqua additivata da prodotti chimici, per svariate applicazioni, dall'Agricoltura al Lavaggio, dall'Antincendio alla Cura del verde .

La produzione attuale comprende oltre 50 modelli di Pompe a Membrana (da 2 a 6 membrane) ed oltre 150 modelli di Pompe a Pistoni (da 3 a 6 pistoni).

Le nostre pompe sono progettate per garantire affidabilità e durata; e Udor si impegna costantemente per migliorare i suoi prodotti con l'obiettivo di raggiungere livelli sempre più alti di qualità e prestazioni.

I nostri prodotti sono concepiti per essere incorporati in vari sistemi pompanti, tra i quali anche macchine da diserbo e irrorazione in agricoltura.

Nonostante la crescente competizione del mercato, il tasso di crescita di Udor non ha conosciuto soste nel tempo e questa è la migliore prova della competitività e qualità dei nostri prodotti e dei nostri processi.

Udor was founded in 1966 and today it develops, manufactures, supplies and services Diaphragm Pumps and Plunger Pumps for pumping water, including chemical-added water, designed for various industries, from Agriculture to Washing, from Fire fighting to Lawn care.

Today, our production covers over 50 models of Diaphragm Pumps (from 2 to 6 cylinders) and over 150 models of Plunger Pumps (from 3 to 6 cylinders).

Our pumps are designed to ensure reliability and long life and we are continuously committed to improve our products to keep ensuring higher performances and quality.

Our products are designed to be incorporated into various types of pumping systems, including agricultural field and orchard sprayers.

Despite the increasing competition on the market, Udor's growth rate has never experienced any downturn and this is the best proof of the competitiveness and quality of our products and processes.



Missione e crescita

Mission and growth

La nostra missione è quella di essere riconosciuti nel nostro mercato mondiale di riferimento come un'azienda competitiva, innovativa e affidabile.

La nostra organizzazione soddisfa le direttive ISO-9001 e siamo continuamente impegnati nel miglioramento delle prestazioni aziendali in tutti i reparti, in quanto pensiamo che ciò sia alla base del nostro successo.

Crediamo nel lavorare in modo etico e attento ai bisogni del cliente.

Our mission is to be recognized in our world-wide industry as a competitive, innovative and reliable company.

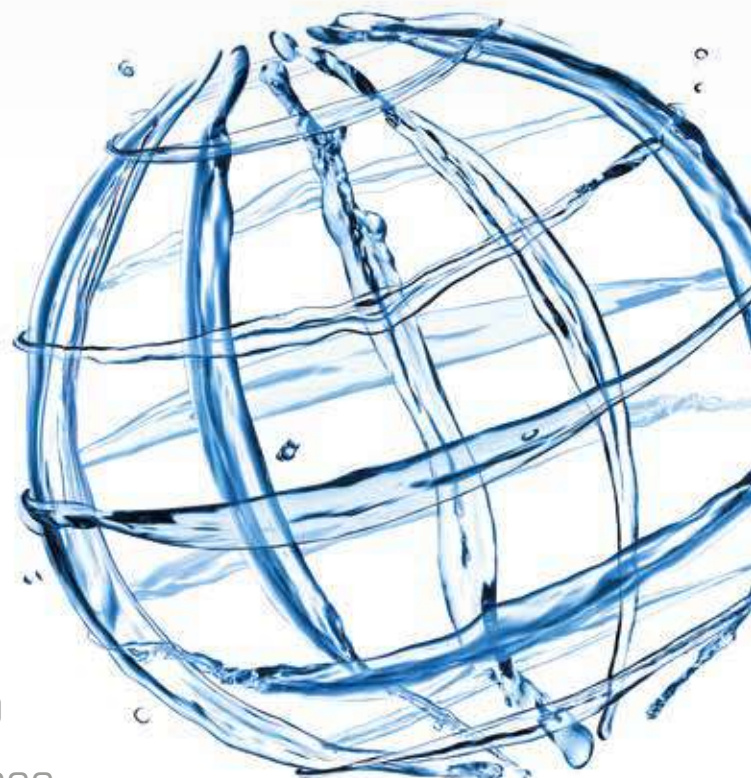
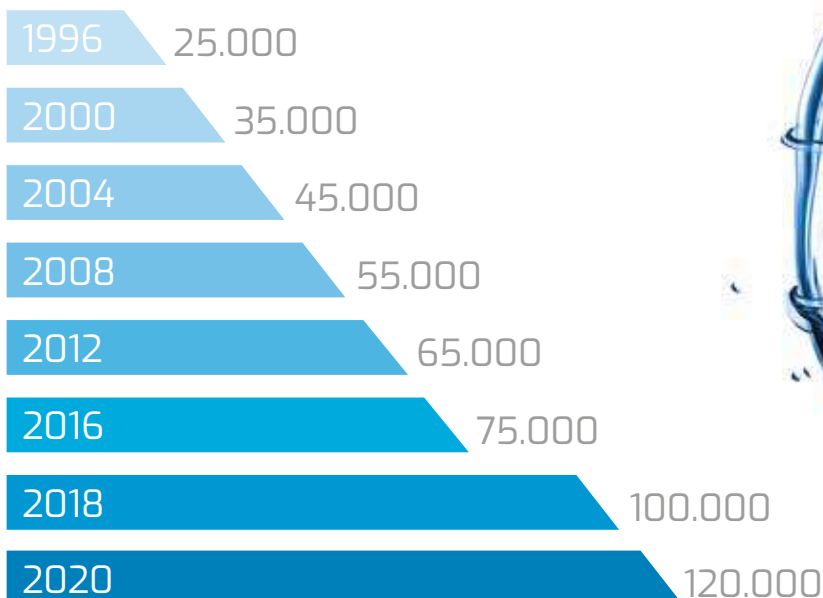
Our organization complies with the requirements of ISO-9001 and we are committed to the continuous improvement of the performance of all departments company, because we think that this is the basis of our success.

We strongly believe in conducting business with ethics and in listening to customer needs.



NUMERO DI POMPE VENDUTE

NUMBER OF PUMPS SOLD



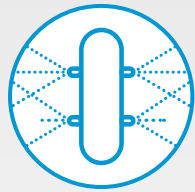
Utilizzi principali

Idrodemolizione
Water Jetting



Antincendio
Fire Fighting

Car-Wash
Car Wash



Irrorazione
Orchard-Spraying

Edilizia
Construction



Alimentare e Farmaceutica
Food & Pharma

Osmosi Inversa
*Reverse Osmosis /
Water Makers*



Idropultrici
Pressure Washing



Main applications

Miniera
Mining



Nebulizzazione
Misting



Pulizia Fognature
Sewer Jetting



Lavaggio Strade
Road Sweepers & Washers

Perforazione
Drilling

Oil & Gas
Oil & Gas

Disinfezione/
Trattamenti Chimici
*Pest Control &
Disinfection*



RICERCA PER PORTATA PUMPS LISTED ACCORDING TO FLOW RATE

| PORTATA FLOW | | RPM | PRESSIONE PRESSURE | | MODELLO MODEL | PAG. PAGE |
|--------------|-----|------|--------------------|-------|----------------|-----------|
| l/min | GPM | | bar | PSI | | |
| 2.0 | 0.5 | 1450 | 100 | 1450 | PNC 02/10 S | 15 |
| 4.0 | 1.1 | 1450 | 100 | 1450 | PNC 04/10 S | 15 |
| 5.7 | 1.5 | 1450 | 150 | 2175 | PSC 06/15 S | 81 |
| 6.0 | 1.6 | 1450 | 100 | 1450 | PNC 06/10 S | 15 |
| 6.2 | 1.6 | 1750 | 100 | 1450 | PSD 1.6/15 Z | 82 |
| 7.6 | 2.0 | 1750 | 140 | 2030 | PND 2.0/20 S | 15 |
| | | 1750 | 140 | 2030 | PND 2.0/20 Z | 17 |
| 8.0 | 2.1 | 1450 | 170 | 2465 | PNC 08/17 I | 18 |
| | | 2800 | 140 | 2030 | PNE 08/14 S | 15 |
| 9.0 | 2.4 | 1450 | 110 | 1595 | PNC 09/11 S | 15 |
| | | 1450 | 170 | 2465 | PNC 09/17 S | 16 |
| | | 1450 | 200 | 2900 | PKC 09/20 S | 23 |
| | | 1750 | 100 | 1450 | PSD 2.4/15 Z | 82 |
| 9.5 | 2.5 | 1750 | 140 | 2030 | PND 2.5/20 S | 15 |
| | | 3400 | 140 | 2030 | PNL 2.5/20 T | 20 |
| 10.0 | 2.6 | 1450 | 200 | 2900 | PKC 10/20 S | 23 |
| | | 1450 | 110 | 1595 | PNC 11/11 S | 15 |
| 11.0 | 2.9 | 1450 | 170 | 2465 | PKC 11/17 S | 23 |
| | | 1450 | 150 | 2175 | PSC 11/15 S | 81 |
| | | 1450 | 150 | 2175 | PKWTC 11/15 S | 89 |
| | | 2800 | 140 | 2030 | PNE 11/14 S | 15 |
| | | 1750 | 140 | 2030 | PND 3.0/20 S | 15 |
| 11.4 | 3.0 | 1750 | 140 | 2030 | PND 3.0/30 Z | 17 |
| | | 3400 | 140 | 2030 | PNL 3.0/20 T | 20 |
| | | 3400 | 170 | 2465 | PNL 3.0/25 T | 21 |
| | | 3400 | 200 | 2900 | PKL 3.0/30 W | 25 |
| | | 1750 | 500 | 7250 | CHD 3.0/75 S | 50 |
| 11.5 | 3.0 | 1750 | 100 | 1450 | PSD 3.0/15 Z | 82 |
| | | 1450 | 140 | 2030 | PNC 12/14 I | 19 |
| 12.0 | 3.2 | 1450 | 500 | 7250 | CHC 12/50 S | 50 |
| | | 1750 | 170 | 2465 | PKD 3.0/25 S | 23 |
| | | 1450 | 120 | 1740 | PNC 13/12 S | 15 |
| 13.0 | 3.4 | 1450 | 150 | 2175 | PNC 13/15 S | 16 |
| | | 1450 | 170 | 2465 | PKC 13/17 S | 23 |
| | | 1450 | 200 | 2900 | BC 13/20 S | 28 |
| | | 1450 | 200 | 2900 | BC 13/20 I | 30 |
| | | 1450 | 300 | 4350 | BKC 13/30 S | 33 |
| | | 1450 | 150 | 2175 | PSC 13/15 S | 81 |
| | | 1450 | 200 | 2900 | BCWC 13/20 S | 88 |
| | | 1450 | 150 | 2175 | PKWTC 13/15 S | 89 |
| | | 2800 | 120 | 1740 | PNE 13/12 S | 15 |
| | | 2800 | 150 | 2175 | PNE 13/15 S | 16 |
| 13.2 | 3.5 | 1750 | 140 | 2030 | PND 3.5/20 S | 15 |
| | | 1750 | 140 | 2030 | PND 3.5/20 Z | 17 |
| | | 1750 | 200 | 2900 | BD 3.5/30 S | 28 |
| | | 3400 | 150 | 2175 | PNL 3.5/22 T | 21 |
| | | 3400 | 200 | 2900 | PKL 3.5/30 W | 25 |
| | | 3400 | 200 | 2900 | PKL 3.5/30 T | 26 |
| 13.4 | 3.5 | 1750 | 350 | 5075 | CKD 3.5/51 S | 43 |
| 13.5 | 3.6 | 1750 | 100 | 1450 | PSD 3.6/15 Z | 82 |
| 14.0 | 3.7 | 1450 | 200 | 2900 | PKC 14/20 Z MI | 27 |
| 14.1 | 3.7 | 1000 | 1250 | 18130 | VY-B 14/1250 R | 75 |
| 14.5 | 3.8 | 1200 | 1250 | 18130 | VY-F 15/1250 R | 75 |
| 14.6 | 3.9 | 1000 | 1000 | 14500 | VY-B 15/1000 R | 75 |
| | | 1200 | 1000 | 14500 | VY-F 15/1000 R | 75 |
| | | 1450 | 150 | 2175 | PKC 15/15 S | 23 |
| | | 1450 | 200 | 2900 | PKC 15/20 S | 23 |
| | | 1450 | 150 | 2175 | BC 15/15 S | 28 |
| | | 1450 | 200 | 2900 | BC 15/20 S | 28 |
| 15.0 | 4.0 | 1450 | 200 | 2900 | BC 15/20 I | 30 |

| PORTATA FLOW | | RPM | PRESSIONE PRESSURE | | MODELLO MODEL | PAG. PAGE |
|--------------|-----|------|--------------------|-------|------------------|-----------|
| l/min | GPM | | bar | PSI | | |
| 15.0 | 4.0 | 1450 | 200 | 2900 | BC 15/20 T MI | 32 |
| | | 1450 | 250 | 3625 | BKC 15/25 S | 33 |
| | | 1450 | 300 | 4350 | BKC 15/30 S | 33 |
| | | 1450 | 300 | 4350 | BKC 15/30 T MI | 35 |
| | | 1450 | 500 | 7250 | CXC 15/50 S | 49 |
| | | 1450 | 1000 | 14500 | VY-C 15/1000 R | 75 |
| | | 1450 | 200 | 2900 | BSC 15/20 S | 83 |
| | | 1450 | 200 | 2900 | BCWC 15/20 S | 88 |
| | | 1450 | 200 | 2900 | BWTC 15/20 S | 90 |
| | | 1750 | 140 | 2030 | PND 4.0/20 S | 15 |
| | | 1750 | 140 | 2030 | PND 4.0/20 Z | 17 |
| | | 1750 | 140 | 2030 | PND 4.0/20 T MI | 22 |
| | | 1750 | 170 | 2465 | PKD 4.0/25 S | 23 |
| | | 1750 | 170 | 2465 | PKD 4.0/25 U | 24 |
| | | 1750 | 300 | 4350 | BKD 4.0/44 S | 33 |
| 15.5 | 4.1 | 3400 | 200 | 2900 | PKL 4.0/30 W | 25 |
| | | 3400 | 250 | 3625 | BKL 4.0/36 W | 34 |
| | | 3400 | 300 | 4350 | BKL 4.0/44 W | 34 |
| | | 1750 | 140 | 2030 | BD 4.0/20 S | 28 |
| | | 1750 | 200 | 2900 | BD 4.0/30 S | 28 |
| | | 1750 | 140 | 2030 | BD 4.0/20 U | 29 |
| | | 1750 | 140 | 2030 | BD 4.0/30 U | 29 |
| | | 1750 | 1000 | 14500 | VY-D 4.0/15 R | 75 |
| | | 3400 | 200 | 2900 | BL 4.0/30 W | 31 |
| | | 1450 | 500 | 7250 | CHC 16/50 S | 50 |
| 16.0 | 4.2 | 1750 | 500 | 7250 | CHD 4.5/75 S | 50 |
| | | 1750 | 100 | 1450 | PSD 4.2/15 Z | 82 |
| 16.3 | 4.3 | 1750 | 500 | 7250 | CXD 4.5/75 S | 49 |
| 17.0 | 4.5 | 1450 | 350 | 5075 | CKC 17/36 S | 43 |
| | | 1450 | 300 | 4350 | CKC 17/30 S | 44 |
| | | 1750 | 350 | 5075 | CKD 4.5/51 S | 43 |
| 18.0 | 4.8 | 1450 | 500 | 7250 | CXC 18/50 S | 49 |
| | | 1750 | 500 | 7250 | CXD 5.0/75 S | 49 |
| 18.1 | 4.8 | 1750 | 1000 | 14500 | VY-D 5.0/15 R | 75 |
| 18.2 | 4.8 | 1750 | 200 | 2900 | BD 5.0/30 S | 28 |
| | | 1750 | 250 | 3650 | BKD 5.0/36 S | 33 |
| 18.5 | 4.9 | 1450 | 200 | 2900 | BC 18/20 S | 28 |
| | | 1450 | 200 | 2900 | BC 18/20 I | 30 |
| | | 1450 | 250 | 3625 | BKC 18/25 S | 33 |
| | | 1450 | 200 | 2900 | BSC 18/20 S | 83 |
| | | 1450 | 200 | 2900 | BCWC 18/20 S | 88 |
| | | 1450 | 200 | 2900 | BWTC 18/20 S | 90 |
| | | 1000 | 500 | 7250 | NK-B 18/500 R | 57 |
| 18.6 | 4.9 | 1000 | 500 | 7250 | NH-B 18/500 R | 58 |
| | | 1450 | 1000 | 14500 | VY-C 19/1000 R | 75 |
| | | 1750 | 200 | 2900 | BD 5.0/30 U | 29 |
| 19.0 | 5.0 | 3400 | 200 | 2900 | BL 5.0/30 W | 31 |
| | | 3400 | 250 | 3625 | BKL 5.0/36 W | 34 |
| 19.5 | 5.2 | 1000 | 1000 | 14500 | VY-B 20/1000 R | 75 |
| | | 1200 | 1000 | 14500 | VY-F 20/1000 R | 75 |
| 20.0 | 5.3 | 1000 | 800 | 11600 | VY-B 20/800 R | 75 |
| | | 1200 | 800 | 11600 | VY-F 20/800 R | 75 |
| | | 1450 | 500 | 7250 | CHC 20/50 S | 50 |
| 20.4 | 5.4 | 1000 | 500 | 7250 | NK-B 21/500 R | 57 |
| | | 1000 | 500 | 7250 | NH-B 21/500 R | 58 |
| 20.8 | 5.5 | 1750 | 200 | 2900 | CD 5.5/30 S | 36 |
| | | 1750 | 350 | 5075 | CKD 5.5/51 S | 43 |
| | | 1750 | 300 | 4350 | CKD 5.5/44 S | 44 |
| 21.0 | 5.5 | 1000 | 200 | 2900 | CB 21/20 S | 36 |
| | | 1000 | 600 | 8700 | PENTA-B 21/600 R | 67 |

RICERCA PER PORTATA PUMPS LISTED ACCORDING TO FLOW RATE

| PORTATA FLOW | | RPM | PRESSIONE PRESSURE | | MODELLO MODEL | PAG. PAGE | | |
|--------------|-----|------|--------------------|-------|------------------|-----------|--------------|----|
| l/min | GPM | | bar | PSI | | | | |
| 21.0 | 5.5 | 1450 | 150 | 2175 | BC 21/15 S | 28 | | |
| | | 1450 | 200 | 2900 | BC 21/20 S | 28 | | |
| | | 1450 | 200 | 2900 | BC 21/20 T MI | 32 | | |
| | | 1450 | 250 | 3625 | BKC 21/25 S | 33 | | |
| | | 1450 | 250 | 3625 | BKC 21/25 T MI | 35 | | |
| | | 1450 | 200 | 2900 | CC 21/20 S | 36 | | |
| | | 1450 | 350 | 5075 | CKC 21/36 S | 43 | | |
| | | 1450 | 300 | 4350 | CKC 21/30 S | 44 | | |
| | | 1450 | 200 | 2900 | BSC 21/20 S | 83 | | |
| | | 1450 | 200 | 2900 | BCWC 21/20 S | 88 | | |
| | | 1450 | 200 | 2900 | BWTC 21/20 S | 90 | | |
| | | 21.6 | 5.7 | 1750 | 500 | 7250 | CXD 6.0/75 S | 49 |
| | | 22.0 | 5.8 | 1450 | 500 | 7250 | CXC 22/50 S | 49 |
| | | 22.7 | 6.0 | 1750 | 200 | 2900 | BD 6.0/30 S | 28 |
| 1750 | 350 | | | 5075 | CKD 6.0/51 S | 43 | | |
| 1750 | 350 | | | 5075 | CKD 6.0/51 T MI | 47 | | |
| 24.0 | 6.3 | 1000 | 350 | 5075 | NK-B 25/350 R | 51 | | |
| | | 1000 | 1000 | 14500 | VY-B 25/1000 R | 75 | | |
| | | 1750 | 800 | 11600 | VY-D 6.5/12 R | 75 | | |
| | | 1000 | 800 | 11600 | VY-B 25/800 R | 75 | | |
| 24.5 | 6.5 | 1000 | 800 | 11600 | VY-B 25/800 R | 75 | | |
| | | 1000 | 350 | 5075 | PENTA-B 25/350 R | 65 | | |
| | | 1000 | 400 | 5800 | PENTA-B 25/400 R | 65 | | |
| | | 1000 | 1000 | 14500 | VY-B 25/1000 S | 75 | | |
| | | 1750 | 500 | 7250 | NK-D 6.5/75 R | 57 | | |
| 25.0 | 6.6 | 1750 | 500 | 7250 | NH-D 6.5/75 R | 58 | | |
| | | 1000 | 200 | 2900 | CB 26/20 S | 38 | | |
| | | 1450 | 200 | 2900 | CC 26/20 S | 36 | | |
| 26.0 | 6.9 | 1450 | 300 | 4350 | CKC 26/30 S | 44 | | |
| | | 1450 | 500 | 7250 | NK-C 26/500 R | 57 | | |
| | | 1450 | 500 | 7250 | NH-C 26/500 R | 58 | | |
| 26.4 | 7.0 | 1450 | 500 | 7250 | NH-C 26/500 R | 58 | | |
| | | 1750 | 200 | 2900 | CD 7.0/30 S | 36 | | |
| | | 1450 | 200 | 2900 | CSC 27/20 S | 84 | | |
| 27.0 | 7.1 | 1750 | 200 | 2900 | CD 7.5/30 S | 36 | | |
| | | 1750 | 600 | 8700 | PENTA-D 7.5/88 R | 67 | | |
| 28.0 | 7.4 | 1750 | 300 | 4350 | CKD 7.5/44 S | 44 | | |
| | | 1750 | 300 | 4350 | CKD 7.5/44 T MI | 48 | | |
| | | 1000 | 200 | 2900 | CB 30/20 S | 38 | | |
| 28.4 | 7.5 | 1000 | 300 | 4350 | PENTA-B 30/300 R | 66 | | |
| | | 1450 | 200 | 2900 | CC 30/20 S | 36 | | |
| | | 1450 | 200 | 2900 | CC 30/20 T MI | 41 | | |
| | | 1450 | 300 | 4350 | CKC 30/30 S | 44 | | |
| | | 1450 | 600 | 8700 | PENTA-C 30/600 R | 67 | | |
| 31.3 | 8.3 | 1750 | 500 | 7250 | NK-D 8.0/75 R | 57 | | |
| | | 1750 | 500 | 7250 | NH-D 8.0/75 R | 58 | | |
| 31.4 | 8.3 | 1450 | 500 | 7250 | NK-C 30/500 R | 57 | | |
| | | 1450 | 500 | 7250 | NH-C 30/500 R | 58 | | |
| 32.2 | 8.5 | 1750 | 200 | 2900 | CD 8.5/30 S | 36 | | |
| | | 1750 | 280 | 4060 | CKD 8.5/40 S | 44 | | |
| 32.7 | 8.6 | 1000 | 350 | 5075 | NK-B 32/350 R | 51 | | |
| | | 1000 | 200 | 2900 | CB 34/20 S | 38 | | |
| 34.0 | 9.0 | 1450 | 200 | 2900 | CC 34/20 S | 36 | | |
| | | 1450 | 250 | 3625 | CKC 34/25 S | 44 | | |
| | | 1450 | 200 | 2900 | CSC 34/20 S | 84 | | |
| 34.6 | 9.1 | 1450 | 350 | 5075 | NK-C 35/350 R | 51 | | |
| | | 1450 | 350 | 5075 | PENTA-C 35/350 R | 65 | | |
| 35.0 | 9.2 | 1450 | 400 | 5800 | PENTA-C 35/400 R | 65 | | |
| | | 1750 | 200 | 2900 | CD 9.5/30 S | 37 | | |
| | | 1750 | 250 | 3625 | CKD 9.5/36 S | 44 | | |
| 36.0 | 9.5 | 1750 | 250 | 3625 | CKD 9.5/36 T MI | 48 | | |
| | | 1000 | 300 | 4350 | NK-B 37/300 R | 51 | | |

| PORTATA FLOW | | RPM | PRESSIONE PRESSURE | | MODELLO MODEL | PAG. PAGE |
|--------------|------|------|--------------------|------|-------------------|-----------|
| l/min | GPM | | bar | PSI | | |
| 38.0 | 10.0 | 1450 | 170 | 2465 | CC 38/17 S | 38 |
| | | 1450 | 170 | 2465 | CC 38/17 T MI | 42 |
| | | 1450 | 200 | 2900 | CKC 38/20 S | 45 |
| 39.0 | 10.3 | 1000 | 250 | 3625 | PENTA-B 40/250 R | 66 |
| | | 1000 | 300 | 4350 | PENTA-B 40/300 R | 66 |
| 40.0 | 10.6 | 1000 | 600 | 8700 | VH-B 40/600 R | 75 |
| | | 1750 | 170 | 2465 | CD 11.0/25 S | 37 |
| | | 1750 | 220 | 3190 | CKD 11.0/32 S | 44 |
| 41.5 | 11.0 | 1750 | 350 | 5075 | NK-D 11.0/51 R | 51 |
| | | 42.2 | 11.1 | 1000 | 250 | 3625 |
| 43.0 | 11.4 | 1450 | 300 | 4350 | PENTA-C 43/300 R | 66 |
| | | 1450 | 170 | 2465 | CC 42/17 S | 39 |
| | | 1450 | 200 | 2900 | CKC 42/20 S | 46 |
| 44.0 | 11.6 | 1450 | 170 | 2465 | CSC 42/17 S | 84 |
| | | 1450 | 170 | 2465 | CWTC 42/17 S | 92 |
| | | 1750 | 150 | 2175 | CD 12.0/22 S | 37 |
| 45.5 | 12.0 | 1750 | 200 | 2900 | CKD 12.0/30 S | 46 |
| | | 47.1 | 12.5 | 1450 | 350 | 5075 |
| 47.8 | 12.6 | 1450 | 350 | 5075 | NK-C 47/350 R MI | 54 |
| | | 1000 | 250 | 3625 | NK-B 50/250 R | 51 |
| 49.0 | 12.9 | 1000 | 200 | 2900 | PENTA-B 50/200 R | 66 |
| | | 1000 | 150 | 2175 | CB 50/15 S | 40 |
| 50.0 | 13.2 | 1450 | 150 | 2175 | CC 50/15 S | 40 |
| | | 1450 | 200 | 2900 | CKC 50/20 S | 46 |
| | | 1450 | 150 | 2175 | CSC 50/15 S | 84 |
| 52.1 | 13.8 | 1450 | 150 | 2175 | CWTC 50/15 S | 92 |
| | | 1000 | 170 | 2465 | NK-B 52/170 R | 51 |
| | | 1450 | 300 | 4350 | NK-C 55/300 R | 51 |
| 53.4 | 14.1 | 1450 | 300 | 4350 | NK-C 55/300 R MI | 54 |
| | | 1750 | 300 | 4350 | NK-D 15.0/44 R | 51 |
| 56.6 | 14.9 | 1750 | 300 | 4350 | NK-D 15.0/44 R MI | 54 |
| | | 1450 | 250 | 3625 | PENTA-C 55/250 R | 66 |
| 57.0 | 15.1 | 1450 | 250 | 3625 | PENTA-C 58/300 R | 66 |
| | | 1000 | 170 | 2465 | NK-B 60/170 R | 51 |
| 58.0 | 15.3 | 1450 | 300 | 4350 | PENTA-C 58/300 R | 66 |
| | | 1000 | 170 | 2465 | NK-B 60/170 R | 51 |
| 59.0 | 15.6 | 1000 | 350 | 5075 | VX-B 60/350 R | 70 |
| | | 1000 | 250 | 3625 | NK-C 60/250 R | 51 |
| 60.0 | 15.9 | 1450 | 250 | 3625 | NK-C 60/250 R MI | 54 |
| | | 1450 | 250 | 3625 | NK-D 18.0/36 R | 51 |
| 60.9 | 16.1 | 1750 | 250 | 3625 | NK-D 18.0/36 R | 51 |
| | | 600 | 50 | 725 | GAMMA 62 TS 1C | 59 |
| | | 600 | 50 | 725 | GAMMA 62 TS 2C | 59 |
| 67.0 | 17.7 | 600 | 50 | 725 | GAMMA 62 TS GR | 59 |
| | | 1450 | 250 | 3625 | NK-C 70/250 R | 51 |
| | | 1450 | 250 | 3625 | NK-C 70/250 R MI | 54 |
| 69.0 | 18.2 | 1000 | 150 | 2175 | NK-B 70/150 R | 51 |
| | | 1450 | 150 | 2175 | CC 70/15 S | 40 |
| 69.2 | 18.3 | 1450 | 150 | 2175 | CC 70/15 S | 40 |
| | | 1450 | 150 | 2175 | CWTC 70/15 S | 93 |
| | | 1750 | 150 | 2175 | CD 18.5/22 S | 40 |
| 71.0 | 18.8 | 1450 | 200 | 2900 | PENTA-C 70/200 R | 66 |
| | | 1000 | 280 | 4060 | VX-B 75/280 R | 70 |
| | | 1000 | 280 | 4060 | VX-B 75/280 R MI | 71 |
| 75.0 | 19.8 | 1000 | 350 | 5075 | VXX-B 75/350 R | 76 |
| | | 1000 | 350 | 5075 | VXX-B 75/350 R MI | 77 |
| | | 1450 | 170 | 2465 | NK-C 75/170 R | 51 |
| | | 1450 | 170 | 2465 | NK-C 75/170 R MI | 55 |
| 75.1 | 19.9 | 1450 | 170 | 2465 | NK-C 75/170 R | 85 |
| | | 600 | 60 | 870 | GAMMA 85 TS 1C | 60 |
| | | 600 | 60 | 870 | GAMMA 85 TS 2C | 60 |
| 84.0 | 22.2 | 600 | 100 | 1450 | GAMMA-IL 83 TS 1C | 63 |
| | | 1450 | 170 | 2465 | NK-C 85/170 R | 85 |
| | | 1450 | 170 | 2465 | NK-C 85/170 R | 85 |
| 85.2 | 22.5 | 1450 | 170 | 2465 | NK-C 85/170 R | 85 |
| 87.0 | 23.0 | 1450 | 170 | 2465 | NK-C 85/170 R | 51 |

RICERCA PER PORTATA PUMPS LISTED ACCORDING TO FLOW RATE

| PORTATA FLOW | | RPM | PRESSIONE PRESSURE | | MODELLO MODEL | PAG. PAGE |
|--------------|------|------|--------------------|------|---------------------|-----------|
| l/min | GPM | | bar | PSI | | |
| 87.0 | 23.0 | 1450 | 170 | 2465 | NK-C 85/170 R MI | 55 |
| 90.2 | 23.8 | 1750 | 170 | 2465 | NK-D 24.0/25 R | 51 |
| | | 1750 | 170 | 2465 | NK-D 24.0/25 R MI | 55 |
| 98.0 | 25.9 | 1000 | 200 | 2900 | VX-B 100/200 R | 69 |
| | | 1000 | 200 | 2900 | VX-B 100/200 R MI | 72 |
| | | 1000 | 200 | 2900 | VXS-B 100/200 R | 87 |
| 99.2 | 26.2 | 1000 | 100 | 1450 | NK-B 100/100 R | 53 |
| 100.0 | 26.4 | 1450 | 150 | 2175 | NK-C 100/150 R | 51 |
| | | 1450 | 150 | 2175 | NK-C 100/150 R MI | 55 |
| | | 1450 | 200 | 2900 | VX-C 100/200 R | 69 |
| | | 1450 | 200 | 2900 | VX-C 100/200 R MI | 72 |
| | | 1450 | 150 | 2175 | NKS-C 100/150 R | 85 |
| | | 1750 | 170 | 2465 | NK-D 27.0/25 R | 51 |
| 106.5 | 28.1 | 1750 | 170 | 2465 | NK-D 27.0/25 R MI | 55 |
| | | 600 | 60 | 870 | GAMMA 105 TS 1C | 60 |
| | | 600 | 60 | 870 | GAMMA 105 TS 2C | 60 |
| 124.5 | 32.9 | 600 | 100 | 1450 | GAMMA-IL 103 TS 1C | 63 |
| | | 800 | 300 | 4350 | HX-A 135/300 R | 78 |
| | | 1500 | 300 | 4350 | HXR1-C 135/300 R | 79 |
| | | 1500 | 300 | 4350 | HXR1-C 135/300 R MI | 80 |
| | | 1800 | 300 | 4350 | HXR1-D 135/300 R | 79 |
| | | 1800 | 300 | 4350 | HXR1-D 135/300 R MI | 80 |
| | | 2200 | 300 | 4350 | HXR1-M 135/300 R | 79 |
| | | 2200 | 300 | 4350 | HXR1-M 135/300 R MI | 80 |
| 125.0 | 33.0 | 1000 | 160 | 2320 | VX-B 130/160 R | 69 |
| | | 1000 | 160 | 2320 | VX-B 130/160 R MI | 72 |
| | | 1000 | 220 | 3190 | VXX-B 130/220 R | 76 |
| | | 1000 | 220 | 3190 | VXX-B 130/220 R MI | 77 |
| | | 1000 | 160 | 2320 | VXS-B 130/160 R | 87 |
| 126.2 | 33.3 | 1450 | 130 | 1885 | NK-C 130/130 R | 53 |
| | | 1450 | 130 | 1885 | NK-C 130/130 R MI | 56 |
| 133.0 | 35.1 | 600 | 60 | 870 | GAMMA 125 TS 1C | 60 |
| | | 600 | 60 | 870 | GAMMA 125 TS 2C | 60 |
| 135.0 | 35.7 | 1450 | 160 | 2320 | VX-C 135/160 R | 69 |
| 143.0 | 37.8 | 1450 | 100 | 1450 | NK-C 145/100 R | 53 |
| | | 1450 | 100 | 1450 | NK-C 145/100 R MI | 56 |
| 153.0 | 39.0 | 600 | 50 | 725 | GAMMA 155 TS 2C | 61 |
| 155.0 | 41.0 | 800 | 110 | 1595 | VX-A 161/110 R | 69 |
| | | 800 | 110 | 1595 | VX-A 161/110 R MI | 72 |
| 157.0 | 41.5 | 1000 | 130 | 1885 | VX-B 160/130 R | 69 |
| | | 1000 | 130 | 1885 | VX-B 160/130 R MI | 72 |
| | | 1000 | 180 | 2610 | VXX-B 160/180 R | 76 |
| | | 1000 | 180 | 2610 | VXX-B 160/180 R MI | 77 |
| | | 1000 | 130 | 1885 | VXS-B 160/130 R | 87 |
| 162.5 | 42.9 | 800 | 240 | 3480 | HX-A 160/240 R | 78 |
| | | 1500 | 240 | 3480 | HXR1-C 160/240 R | 79 |
| | | 1500 | 240 | 3480 | HXR1-C 160/240 R MI | 80 |
| | | 1800 | 240 | 3480 | HXR1-D 160/240 R | 79 |

| PORTATA FLOW | | RPM | PRESSIONE PRESSURE | | MODELLO MODEL | PAG. PAGE |
|--------------|-------|------|--------------------|------|---------------------|-----------|
| l/min | GPM | | bar | PSI | | |
| 162.5 | 42.9 | 1800 | 240 | 3480 | HXR1-D 160/240 R MI | 80 |
| | | 2200 | 240 | 3480 | HXR1-M 160/240 R | 79 |
| | | 2200 | 240 | 3480 | HXR1-M 160/240 R MI | 80 |
| 163.0 | 43.1 | 600 | 80 | 1160 | GAMMA-IL 160 TS 1C | 64 |
| 164.0 | 43.3 | 600 | 60 | 870 | GAMMA 162 TS 1C | 62 |
| | | 600 | 60 | 870 | GAMMA 162 TS 2C | 62 |
| 199.0 | 52.6 | 1000 | 100 | 1450 | VX-B 200/100 R | 69 |
| | | 1000 | 100 | 1450 | VX-B 200/100 R MI | 72 |
| | | 1000 | 150 | 2175 | VXX-B 200/150 R | 76 |
| | | 1000 | 150 | 2175 | VXX-B 200/150 R MI | 77 |
| 202.0 | 54.4 | 600 | 80 | 1160 | GAMMA-IL 200 TS 1C | 64 |
| | | 800 | 200 | 2900 | HX-A 200/200 R | 78 |
| | | 1500 | 200 | 2900 | HXR1-C 200/200 R | 79 |
| | | 1500 | 200 | 2900 | HXR1-C 200/200 R MI | 80 |
| | | 1800 | 200 | 2900 | HXR1-D 200/200 R | 79 |
| | | 1800 | 200 | 2900 | HXR1-D 200/200 R MI | 80 |
| 206.0 | 54.4 | 2200 | 200 | 2900 | HXR1-M 200/200 R | 79 |
| | | 2200 | 200 | 2900 | HXR1-M 200/200 R MI | 80 |
| | | 600 | 60 | 870 | GAMMA 202 TS 1C | 62 |
| | | 600 | 60 | 870 | GAMMA 202 TS 2C | 62 |
| 208.0 | 55.0 | 1200 | 140 | 2030 | VXX-F 230/140 R | 76 |
| | | 1200 | 140 | 2030 | VXX-F 230/140 R MI | 77 |
| 226.0 | 59.7 | 550 | 60 | 870 | GAMMA 242 TS 1C | 62 |
| | | 550 | 60 | 870 | GAMMA 242 TS 2C | 62 |
| 240.0 | 63.4 | 800 | 60 | 870 | VX6-A 260/60 TS 1C | 73 |
| | | 800 | 160 | 2320 | HX-A 250/160 R | 78 |
| | | 1500 | 160 | 2320 | HXR1-C 250/160 R | 79 |
| | | 1500 | 160 | 2320 | HXR1-C 250/160 R MI | 80 |
| | | 1800 | 160 | 2320 | HXR1-D 250/160 R | 79 |
| | | 1800 | 160 | 2320 | HXR1-D 250/160 R MI | 80 |
| | | 2200 | 160 | 2320 | HXR1-M 250/160 R | 79 |
| | | 2200 | 160 | 2320 | HXR1-M 250/160 R MI | 80 |
| 323.3 | 85.4 | 800 | 130 | 1885 | HX-A 310/130 R | 78 |
| | | 1500 | 130 | 1885 | HXR1-C 310/130 R | 79 |
| | | 1500 | 130 | 1885 | HXR1-C 310/130 R MI | 80 |
| | | 1800 | 130 | 1885 | HXR1-D 310/130 R | 79 |
| | | 1800 | 130 | 1885 | HXR1-D 310/130 R MI | 80 |
| | | 2200 | 130 | 1885 | HXR1-M 310/130 R | 79 |
| 329.3 | 87.0 | 2200 | 130 | 1885 | HXR1-M 310/130 R MI | 80 |
| | | 800 | 50 | 725 | VX6-A 330/50 TS 1C | 73 |
| | | 800 | 100 | 1450 | HX-A 400/100 R | 78 |
| | | 1500 | 100 | 1450 | HXR1-C 400/100 R | 79 |
| 395.1 | 104.4 | 1500 | 100 | 1450 | HXR1-C 400/100 R MI | 80 |
| | | 1800 | 100 | 1450 | HXR1-D 400/100 R | 79 |
| | | 1800 | 100 | 1450 | HXR1-D 400/100 R MI | 80 |
| | | 2200 | 100 | 1450 | HXR1-M 400/100 R | 79 |
| | | 2200 | 100 | 1450 | HXR1-M 400/100 R MI | 80 |
| | | 800 | 40 | 580 | VX6-A 410/40 TS 1C | 73 |

RICERCA PER PRESSIONE

PUMPS LISTED ACCORDING TO PRESSURE

| PRESSIONE PRESSURE | | RPM | PORTATA FLOW | | MODELLO MODEL | PAG. PAGE | | |
|--------------------|------|------|--------------|-------|---------------------|-----------|--------------------|----|
| bar | PSI | | l/min | GPM | | | | |
| 40 | 580 | 800 | 411.7 | 108.8 | VX6-A 410/40 TS 1C | 73 | | |
| 50 | 725 | 600 | 67.0 | 17.7 | GAMMA 62 TS 1C | 59 | | |
| | | 600 | 67.0 | 17.7 | GAMMA 62 TS 2C | 59 | | |
| | | 600 | 67.0 | 17.7 | GAMMA 62 TS GR | 59 | | |
| | | 600 | 153.0 | 39.0 | GAMMA 155 TS 2C | 61 | | |
| | | 800 | 329.3 | 87.0 | VX6-A 330/50 TS 1C | 73 | | |
| 60 | 870 | 550 | 240.0 | 63.4 | GAMMA 242 TS 1C | 62 | | |
| | | 550 | 240.0 | 63.4 | GAMMA 242 TS 2C | 62 | | |
| | | 600 | 106.5 | 28.1 | GAMMA 105 TS 1C | 60 | | |
| | | 600 | 106.5 | 28.1 | GAMMA 105 TS 2C | 60 | | |
| | | 600 | 133.0 | 35.1 | GAMMA 125 TS 1C | 60 | | |
| | | 600 | 133.0 | 35.1 | GAMMA 125 TS 2C | 60 | | |
| | | 600 | 84.0 | 22.2 | GAMMA 85 TS 1C | 60 | | |
| | | 600 | 84.0 | 22.2 | GAMMA 85 TS 2C | 60 | | |
| | | 600 | 164.0 | 43.3 | GAMMA 162 TS 1C | 62 | | |
| | | 600 | 164.0 | 43.3 | GAMMA 162 TS 2C | 62 | | |
| | | 600 | 208.0 | 55.0 | GAMMA 202 TS 1C | 62 | | |
| | | 600 | 208.0 | 55.0 | GAMMA 202 TS 2C | 62 | | |
| | | 800 | 260.0 | 68.7 | VX6-A 260/60 TS 1C | 73 | | |
| | | 80 | 1160 | 600 | 163.0 | 43.1 | GAMMA-IL 160 TS 1C | 64 |
| | | | | 600 | 202.0 | 54.4 | GAMMA-IL 200 TS 1C | 64 |
| 100 | 1450 | 600 | 106.5 | 28.1 | GAMMA-IL 103 TS 1C | 63 | | |
| | | 600 | 84.0 | 22.2 | GAMMA-IL 83 TS 1C | 63 | | |
| | | 800 | 395.1 | 104.4 | HX-A 400/100 R | 78 | | |
| | | 1000 | 99.2 | 26.2 | NK-B 100/100 R | 53 | | |
| | | 1000 | 199.0 | 52.6 | VX-B 200/100 R | 69 | | |
| | | 1000 | 199.0 | 52.6 | VX-B 200/100 R MI | 72 | | |
| | | 1450 | 2.0 | 0.5 | PNC 02/10 S | 15 | | |
| | | 1450 | 4.0 | 1.1 | PNC 04/10 S | 15 | | |
| | | 1450 | 6.0 | 1.6 | PNC 06/10 S | 15 | | |
| | | 1450 | 143.0 | 37.8 | NK-C 145/100 R | 53 | | |
| | | 1450 | 143.0 | 37.8 | NK-C 145/100 R MI | 56 | | |
| | | 1500 | 395.1 | 104.4 | HXRI-C 400/100 R | 79 | | |
| | | 1500 | 395.1 | 104.4 | HXRI-C 400/100 R MI | 80 | | |
| | | 1750 | 6.2 | 1.6 | PSD 1.6/15 Z | 82 | | |
| | | 1750 | 9.0 | 2.4 | PSD 2.4/15 Z | 82 | | |
| | | 1750 | 13.5 | 3.6 | PSD 3.6/15 Z | 82 | | |
| | | 1750 | 11.5 | 3.0 | PSD 3.0/15 Z | 82 | | |
| | | 1750 | 16.0 | 4.2 | PSD 4.2/15 Z | 82 | | |
| | | 1800 | 395.1 | 104.4 | HXRI-D 400/100 R | 79 | | |
| | | 1800 | 395.1 | 104.4 | HXRI-D 400/100 R MI | 80 | | |
| | | 2200 | 395.1 | 104.4 | HXRI-M 400/100 R | 79 | | |
| | | 2200 | 395.1 | 104.4 | HXRI-M 400/100 R MI | 80 | | |
| | | 110 | 1595 | 800 | 155.0 | 41.0 | VX-A 161/110 R | 69 |
| | | | | 800 | 155.0 | 41.0 | VX-A 161/110 R MI | 72 |
| | | | | 1450 | 9.0 | 2.4 | PNC 09/11 S | 15 |
| | | 1450 | 11.0 | 2.9 | PNC 11/11 S | 15 | | |
| 120 | 1740 | 1450 | 13.0 | 3.4 | PNC 13/12 S | 15 | | |
| | | 2800 | 13.0 | 3.4 | PNE 13/12 S | 15 | | |
| 130 | 1885 | 800 | 323.3 | 85.4 | HX-A 310/130 R | 78 | | |
| | | 1000 | 157.0 | 41.5 | VX-B 160/130 R | 69 | | |
| | | 1000 | 157.0 | 41.5 | VX-B 160/130 R MI | 72 | | |
| | | 1000 | 157.0 | 41.5 | VXS-B 160/130 R | 87 | | |
| | | 1450 | 126.2 | 33.3 | NK-C 130/130 R | 53 | | |
| | | 1450 | 126.2 | 33.3 | NK-C 130/130 R MI | 56 | | |
| | | 1500 | 323.3 | 85.4 | HXRI-C 310/130 R | 79 | | |
| | | 1500 | 323.3 | 85.4 | HXRI-C 310/130 R MI | 80 | | |
| | | 1800 | 323.3 | 85.4 | HXRI-D 310/130 R | 79 | | |
| | | 1800 | 323.3 | 85.4 | HXRI-D 310/130 R MI | 80 | | |
| | | 2200 | 323.3 | 85.4 | HXRI-M 310/130 R | 79 | | |

| PRESSIONE PRESSURE | | RPM | PORTATA FLOW | | MODELLO MODEL | PAG. PAGE |
|--------------------|-------|------|--------------|------|---------------------|-----------|
| bar | PSI | | l/min | GPM | | |
| 130 | 1885 | 2200 | 323.3 | 85.4 | HXRI-M 310/130 R MI | 80 |
| 140 | 2030 | 1200 | 226.0 | 59.7 | VXX-F 230/140 R | 76 |
| | | 1200 | 226.0 | 59.7 | VXX-F 230/140 R MI | 77 |
| | | 1450 | 12.0 | 3.2 | PNC 12/14 I | 19 |
| | | 1750 | 7.6 | 2.0 | PND 2.0/20 S | 15 |
| | | 1750 | 9.5 | 2.5 | PND 2.5/20 S | 15 |
| | | 1750 | 11.4 | 3.0 | PND 3.0/20 S | 15 |
| | | 1750 | 13.2 | 3.5 | PND 3.5/20 S | 15 |
| | | 1750 | 15.0 | 4.0 | PND 4.0/20 S | 15 |
| | | 1750 | 7.6 | 2.0 | PND 2.0/20 Z | 17 |
| | | 1750 | 11.4 | 3.0 | PND 3.0/30 Z | 17 |
| | | 1750 | 13.2 | 3.5 | PND 3.5/20 Z | 17 |
| | | 1750 | 15.0 | 4.0 | PND 4.0/20 Z | 17 |
| | | 1750 | 15.0 | 4.0 | PND 4.0/20 T MI | 22 |
| | | 1750 | 15.5 | 4.1 | BD 4.0/20 S | 28 |
| | | 1750 | 15.5 | 4.1 | BD 4.0/20 U | 29 |
| | | 2800 | 8.0 | 2.1 | PNE 08/14 S | 15 |
| | | 2800 | 11.0 | 2.9 | PNE 11/14 S | 15 |
| | | 3400 | 9.5 | 2.5 | PNL 2.5/20 T | 20 |
| | | 3400 | 11.4 | 3.0 | PNL 3.0/20 T | 20 |
| | | 150 | 2175 | 1000 | 50.0 | 13.2 |
| 1000 | 69.2 | | | 18.3 | NK-B 70/150 R | 51 |
| 1000 | 199.0 | | | 52.6 | VXX-B 200/150 R | 76 |
| 1000 | 199.0 | | | 52.6 | VXX-B 200/150 R MI | 77 |
| 1450 | 13.0 | | | 3.4 | PNC 13/15 S | 16 |
| 1450 | 15.0 | | | 4.0 | PKC 15/15 S | 23 |
| 1450 | 15.0 | | | 4.0 | BC 15/15 S | 28 |
| 1450 | 21.0 | | | 5.5 | BC 21/15 S | 28 |
| 1450 | 50.0 | | | 13.2 | CC 50/15 S | 40 |
| 1450 | 70.0 | | | 18.5 | CC 70/15 S | 40 |
| 1450 | 100.0 | | | 26.4 | NK-C 100/150 R | 51 |
| 1450 | 100.0 | | | 26.4 | NK-C 100/150 R MI | 55 |
| 1450 | 5.7 | | | 1.5 | PSC 06/15 S | 81 |
| 1450 | 11.0 | | | 2.9 | PSC 11/15 S | 81 |
| 1450 | 13.0 | | | 3.4 | PSC 13/15 S | 81 |
| 1450 | 50.0 | | | 13.2 | CSC 50/15 S | 84 |
| 1450 | 100.0 | | | 26.4 | NKS-C 100/150 R | 85 |
| 1450 | 11.0 | | | 2.9 | PKWTC 11/15 S | 89 |
| 1450 | 13.0 | | | 3.4 | PKWTC 13/15 S | 89 |
| 1450 | 50.0 | | | 13.2 | CWTC 50/15 S | 92 |
| 1450 | 70.0 | 18.5 | CWTC 70/15 S | 93 | | |
| 1750 | 45.5 | 12.0 | CD 12.0/22 S | 37 | | |
| 1750 | 70.0 | 18.5 | CD 18.5/22 S | 40 | | |
| 2800 | 13.0 | 3.4 | PNE 13/15 S | 16 | | |
| 3400 | 13.2 | 3.5 | PNL 3.5/22 T | 21 | | |
| 160 | 2320 | 800 | 260.0 | 68.7 | HX-A 250/160 R | 78 |
| | | 1000 | 125.0 | 33.0 | VX-B 130/160 R | 69 |
| | | 1000 | 125.0 | 33.0 | VX-B 130/160 R MI | 72 |
| | | 1000 | 125.0 | 33.0 | VXS-B 130/160 R | 87 |
| | | 1450 | 135.0 | 35.7 | VX-C 135/160 R | 69 |
| | | 1500 | 260.0 | 68.7 | HXRI-C 250/160 R | 79 |
| | | 1500 | 260.0 | 68.7 | HXRI-C 250/160 R MI | 80 |
| | | 1800 | 260.0 | 68.7 | HXRI-D 250/160 R | 79 |
| | | 1800 | 260.0 | 68.7 | HXRI-D 250/160 R MI | 80 |
| | | 2200 | 260.0 | 68.7 | HXRI-M 250/160 R | 79 |
| | | 2200 | 260.0 | 68.7 | HXRI-M 250/160 R MI | 80 |
| 170 | 2465 | 1000 | 52.1 | 13.8 | NK-B 52/170 R | 51 |
| | | 1000 | 59.0 | 15.6 | NK-B 60/170 R | 51 |
| | | 1450 | 9.0 | 2.4 | PNC 09/17 S | 16 |
| | | 1450 | 8.0 | 2.1 | PNC 08/17 I | 18 |

RICERCA PER PRESSIONE PUMPS LISTED ACCORDING TO PRESSURE

| PRESSIONE PRESSURE | | RPM | PORTATA FLOW | | MODELLO MODEL | PAG. PAGE | | |
|--------------------|-------|------|--------------|------|-------------------|-----------|--------------------|----|
| bar | PSI | | l/min | GPM | | | | |
| 170 | 2465 | 1450 | 11.0 | 2.9 | PKC 11/17 S | 23 | | |
| | | 1450 | 13.0 | 3.4 | PKC 13/17 S | 23 | | |
| | | 1450 | 38.0 | 10.0 | CC 38/17 S | 38 | | |
| | | 1450 | 44.0 | 11.6 | CC 42/17 S | 39 | | |
| | | 1450 | 38.0 | 10.0 | CC 38/17 T MI | 42 | | |
| | | 1450 | 75.1 | 19.9 | NK-C 75/170 R | 51 | | |
| | | 1450 | 87.0 | 23.0 | NK-C 85/170 R | 51 | | |
| | | 1450 | 75.1 | 19.9 | NK-C 75/170 R MI | 55 | | |
| | | 1450 | 87.0 | 23.0 | NK-C 85/170 R MI | 55 | | |
| | | 1450 | 44.0 | 11.6 | CSC 42/17 S | 84 | | |
| | | 1450 | 75.1 | 19.9 | NKS-C 75/170 R | 85 | | |
| | | 1450 | 85.2 | 22.5 | NKS-C 85/170 R | 85 | | |
| | | 1450 | 44.0 | 11.6 | CWTC 42/17 S | 92 | | |
| | | 1750 | 12.0 | 3.2 | PKD 3.0/25 S | 23 | | |
| | | 1750 | 15.0 | 4.0 | PKD 4.0/25 S | 23 | | |
| | | 1750 | 15.0 | 4.0 | PKD 4.0/25 U | 24 | | |
| | | 1750 | 41.5 | 11.0 | CD 11.0/25 S | 37 | | |
| | | 1750 | 90.2 | 23.8 | NK-D 24.0/25 R | 51 | | |
| | | 1750 | 100.0 | 26.4 | NK-D 27.0/25 R | 51 | | |
| | | 1750 | 90.2 | 23.8 | NK-D 24.0/25 R MI | 55 | | |
| | | 1750 | 100.0 | 26.4 | NK-D 27.0/25 R MI | 55 | | |
| | | 3400 | 11.4 | 3.0 | PNL 3.0/25 T | 21 | | |
| | | 180 | 2610 | 1000 | 157.0 | 41.5 | VXX-B 160/180 R | 76 |
| | | | | 1000 | 157.0 | 41.5 | VXX-B 160/180 R MI | 77 |
| | | 200 | 2900 | 800 | 206.0 | 54.4 | HX-A 200/200 R | 78 |
| | | | | 1000 | 21.0 | 5.5 | CB 21/20 S | 36 |
| 1000 | 26.0 | | | 6.9 | CB 26/20 S | 38 | | |
| 1000 | 30.0 | | | 7.9 | CB 30/20 S | 38 | | |
| 1000 | 34.0 | | | 9.0 | CB 34/20 S | 38 | | |
| 1000 | 49.0 | | | 12.9 | PENTA-B 50/200 R | 66 | | |
| 1000 | 98.0 | | | 25.9 | VX-B 100/200 R | 69 | | |
| 1000 | 98.0 | | | 25.9 | VX-B 100/200 R MI | 72 | | |
| 1000 | 98.0 | | | 25.9 | VXS-B 100/200 R | 87 | | |
| 1450 | 9.0 | | | 2.4 | PKC 09/20 S | 23 | | |
| 1450 | 10.0 | | | 2.6 | PKC 10/20 S | 23 | | |
| 1450 | 15.0 | | | 4.0 | PKC 15/20 S | 23 | | |
| 1450 | 14.0 | | | 3.7 | PKC 14/20 Z MI | 27 | | |
| 1450 | 13.0 | | | 3.4 | BC 13/20 S | 28 | | |
| 1450 | 15.0 | | | 4.0 | BC 15/20 S | 28 | | |
| 1450 | 18.5 | | | 4.9 | BC 18/20 S | 28 | | |
| 1450 | 21.0 | | | 5.5 | BC 21/20 S | 28 | | |
| 1450 | 13.0 | | | 3.4 | BC 13/20 I | 30 | | |
| 1450 | 15.0 | | | 4.0 | BC 15/20 I | 30 | | |
| 1450 | 18.5 | | | 4.9 | BC 18/20 I | 30 | | |
| 1450 | 15.0 | | | 4.0 | BC 15/20 T MI | 32 | | |
| 1450 | 21.0 | | | 5.5 | BC 21/20 T MI | 32 | | |
| 1450 | 21.0 | | | 5.5 | CC 21/20 S | 36 | | |
| 1450 | 26.0 | | | 6.9 | CC 26/20 S | 36 | | |
| 1450 | 30.0 | | | 7.9 | CC 30/20 S | 36 | | |
| 1450 | 34.0 | | | 9.0 | CC 34/20 S | 36 | | |
| 1450 | 30.0 | | | 7.9 | CC 30/20 T MI | 41 | | |
| 1450 | 38.0 | | | 10.0 | CKC 38/20 S | 45 | | |
| 1450 | 44.0 | | | 11.6 | CKC 42/20 S | 46 | | |
| 1450 | 50.0 | | | 13.2 | CKC 50/20 S | 46 | | |
| 1450 | 71.0 | | | 18.8 | PENTA-C 70/200 R | 66 | | |
| 1450 | 100.0 | | | 26.4 | VX-C 100/200 R | 69 | | |
| 1450 | 100.0 | | | 26.4 | VX-C 100/200 R MI | 72 | | |
| 1450 | 15.0 | | | 4.0 | BSC 15/20 S | 83 | | |
| 1450 | 18.5 | | | 4.9 | BSC 18/20 S | 83 | | |
| 1450 | 21.0 | | | 5.5 | BSC 21/20 S | 83 | | |

| PRESSIONE PRESSURE | | RPM | PORTATA FLOW | | MODELLO MODEL | PAG. PAGE | | |
|--------------------|-------|------|---------------------|------|---------------------|-----------|---------------|----|
| bar | PSI | | l/min | GPM | | | | |
| 200 | 2900 | 1450 | 27.0 | 7.1 | CSC 27/20 S | 84 | | |
| | | 1450 | 34.0 | 9.0 | CSC 34/20 S | 84 | | |
| | | 1450 | 13.0 | 3.4 | BCWC 13/20 S | 88 | | |
| | | 1450 | 15.0 | 4.0 | BCWC 15/20 S | 88 | | |
| | | 1450 | 18.5 | 4.9 | BCWC 18/20 S | 88 | | |
| | | 1450 | 21.0 | 5.5 | BCWC 21/20 S | 88 | | |
| | | 1450 | 15.0 | 4.0 | BWTC 15/20 S | 90 | | |
| | | 1450 | 18.5 | 4.9 | BWTC 18/20 S | 90 | | |
| | | 1450 | 21.0 | 5.5 | BWTC 21/20 S | 90 | | |
| | | 1500 | 206.0 | 54.4 | HXRI-C 200/200 R | 79 | | |
| | | 1500 | 206.0 | 54.4 | HXRI-C 200/200 R MI | 80 | | |
| | | 1750 | 13.2 | 3.5 | BD 3.5/30 S | 28 | | |
| | | 1750 | 15.5 | 4.1 | BD 4.0/30 S | 28 | | |
| | | 1750 | 18.2 | 4.8 | BD 5.0/30 S | 28 | | |
| | | 1750 | 22.7 | 6.0 | BD 6.0/30 S | 28 | | |
| | | 1750 | 15.5 | 4.1 | BD 4.0/30 U | 29 | | |
| | | 1750 | 19.0 | 5.0 | BD 5.0/30 U | 29 | | |
| | | 1750 | 20.8 | 5.5 | CD 5.5/30 S | 36 | | |
| | | 1750 | 26.4 | 7.0 | CD 7.0/30 S | 36 | | |
| | | 1750 | 28.0 | 7.4 | CD 7.5/30 S | 36 | | |
| | | 1750 | 32.2 | 8.5 | CD 8.5/30 S | 36 | | |
| | | 1750 | 36.0 | 9.5 | CD 9.5/30 S | 37 | | |
| | | 1750 | 45.5 | 12.0 | CKD 12.0/30 S | 46 | | |
| | | 1800 | 206.0 | 54.4 | HXRI-D 200/200 R | 79 | | |
| | | 1800 | 206.0 | 54.4 | HXRI-D 200/200 R MI | 80 | | |
| | | 2200 | 206.0 | 54.4 | HXRI-M 200/200 R | 79 | | |
| 2200 | 206.0 | 54.4 | HXRI-M 200/200 R MI | 80 | | | | |
| 3400 | 11.4 | 3.0 | PKL 3.0/30 W | 25 | | | | |
| 3400 | 13.2 | 3.5 | PKL 3.5/30 W | 25 | | | | |
| 3400 | 15.0 | 4.0 | PKL 4.0/30 W | 25 | | | | |
| 3400 | 13.2 | 3.5 | PKL 3.5/30 T | 26 | | | | |
| 3400 | 15.5 | 4.1 | BL 4.0/30 W | 31 | | | | |
| 3400 | 19.0 | 5.0 | BL 5.0/30 W | 31 | | | | |
| 220 | 3190 | 1000 | 125.0 | 33.0 | VXX-B 130/220 R | 76 | | |
| | | 1000 | 125.0 | 33.0 | VXX-B 130/220 R MI | 77 | | |
| 240 | 3480 | 1750 | 41.5 | 11.0 | CKD 11.0/32 S | 44 | | |
| | | 800 | 162.5 | 42.9 | HX-A 160/240 R | 78 | | |
| | | 1500 | 162.5 | 42.9 | HXRI-C 160/240 R | 79 | | |
| | | 1500 | 162.5 | 42.9 | HXRI-C 160/240 R MI | 80 | | |
| | | 1800 | 162.5 | 42.9 | HXRI-D 160/240 R | 79 | | |
| | | 1800 | 162.5 | 42.9 | HXRI-D 160/240 R MI | 80 | | |
| | | 2200 | 162.5 | 42.9 | HXRI-M 160/240 R | 79 | | |
| | | 2200 | 162.5 | 42.9 | HXRI-M 160/240 R MI | 80 | | |
| | | 250 | 3625 | 1000 | 42.2 | 11.1 | NK-B 42/250 R | 51 |
| | | | | 1000 | 47.8 | 12.6 | NK-B 50/250 R | 51 |
| 1000 | 39.0 | | | 10.3 | PENTA-B 40/250 R | 66 | | |
| 1450 | 15.0 | | | 4.0 | BKC 15/25 S | 33 | | |
| 1450 | 18.5 | | | 4.9 | BKC 18/25 S | 33 | | |
| 1450 | 21.0 | | | 5.5 | BKC 21/25 S | 33 | | |
| 1450 | 21.0 | | | 5.5 | BKC 21/25 T MI | 35 | | |
| 1450 | 34.0 | | | 9.0 | CKC 34/25 S | 44 | | |
| 1450 | 60.9 | | | 16.1 | NK-C 60/250 R | 51 | | |
| 1450 | 69.0 | | | 18.2 | NK-C 70/250 R | 51 | | |
| 1450 | 60.9 | | | 16.1 | NK-C 60/250 R MI | 54 | | |
| 1450 | 69.0 | | | 18.2 | NK-C 70/250 R MI | 54 | | |
| 1450 | 57.0 | | | 15.1 | PENTA-C 55/250 R | 66 | | |
| 1750 | 18.2 | | | 4.8 | BKD 5.0/36 S | 33 | | |
| 1750 | 36.0 | | | 9.5 | CKD 9.5/36 S | 44 | | |
| 1750 | 36.0 | | | 9.5 | CKD 9.5/36 T MI | 48 | | |
| 1750 | 65.0 | 17.2 | NK-D 18.0/36 R | 51 | | | | |

RICERCA PER PRESSIONE PUMPS LISTED ACCORDING TO PRESSURE

| PRESSIONE PRESSURE | | RPM | PORTATA FLOW | | MODELLO MODEL | PAG. PAGE | | |
|--------------------|------|------|--------------|------|---------------------|-----------|---------------|----|
| bar | PSI | | l/min | GPM | | | | |
| 250 | 3625 | 3400 | 15.0 | 4.0 | BKL 4.0/36 W | 34 | | |
| | | 3400 | 19.0 | 5.0 | BKL 5.0/36 W | 34 | | |
| 280 | 4060 | 1000 | 75.0 | 19.8 | VX-B 75/280 R | 70 | | |
| | | 1000 | 75.0 | 19.8 | VX-B 75/280 R MI | 71 | | |
| | | 1750 | 32.2 | 8.5 | CKD 8.5/40 S | 44 | | |
| 300 | 4350 | 800 | 124.5 | 32.9 | HX-A 135/300 R | 78 | | |
| | | 1000 | 37.0 | 9.8 | NK-B 37/300 R | 51 | | |
| | | 1000 | 30.0 | 7.9 | PENTA-B 30/300 R | 66 | | |
| | | 1000 | 40.0 | 10.6 | PENTA-B 40/300 R | 66 | | |
| | | 1450 | 13.0 | 3.4 | BKC 13/30 S | 33 | | |
| | | 1450 | 15.0 | 4.0 | BKC 15/30 S | 33 | | |
| | | 1450 | 15.0 | 4.0 | BKC 15/30 T MI | 35 | | |
| | | 1450 | 17.0 | 4.5 | CKC 17/30 S | 44 | | |
| | | 1450 | 21.0 | 5.5 | CKC 21/30 S | 44 | | |
| | | 1450 | 26.0 | 6.9 | CKC 26/30 S | 44 | | |
| | | 1450 | 30.0 | 7.9 | CKC 30/30 S | 44 | | |
| | | 1450 | 53.4 | 14.1 | NK-C 55/300 R | 51 | | |
| | | 1450 | 53.4 | 14.1 | NK-C 55/300 R MI | 54 | | |
| | | 1450 | 43.0 | 11.4 | PENTA-C 43/300 R | 66 | | |
| | | 1450 | 58.0 | 15.3 | PENTA-C 58/300 R | 66 | | |
| | | 1500 | 124.5 | 32.9 | HXR1-C 135/300 R | 79 | | |
| | | 1500 | 124.5 | 32.9 | HXR1-C 135/300 R MI | 80 | | |
| | | 1750 | 15.0 | 4.0 | BKD 4.0/44 S | 33 | | |
| | | 1750 | 20.8 | 5.5 | CKD 5.5/44 S | 44 | | |
| | | 1750 | 28.4 | 7.5 | CKD 7.5/44 S | 44 | | |
| | | 1750 | 28.4 | 7.5 | CKD 7.5/44 T MI | 48 | | |
| | | 1750 | 56.6 | 14.9 | NK-D 15.0/44 R | 51 | | |
| | | 1750 | 56.6 | 14.9 | NK-D 15.0/44 R MI | 54 | | |
| | | 1800 | 124.5 | 32.9 | HXR1-D 135/300 R | 79 | | |
| | | 1800 | 124.5 | 32.9 | HXR1-D 135/300 R MI | 80 | | |
| | | 2200 | 124.5 | 32.9 | HXR1-M 135/300 R | 79 | | |
| | | 2200 | 124.5 | 32.9 | HXR1-M 135/300 R MI | 80 | | |
| | | 3400 | 15.0 | 4.0 | BKL 4.0/44 W | 34 | | |
| | | 350 | 5075 | 1000 | 24.0 | 6.3 | NK-B 25/350 R | 51 |
| | | | | 1000 | 32.7 | 8.6 | NK-B 32/350 R | 51 |
| 1000 | 25.0 | | | 6.6 | PENTA-B 25/350 R | 65 | | |
| 1000 | 60.0 | | | 15.9 | VX-B 60/350 R | 70 | | |
| 1000 | 75.0 | | | 19.8 | VXX-B 75/350 R | 76 | | |
| 1000 | 75.0 | | | 19.8 | VXX-B 75/350 R MI | 77 | | |
| 1450 | 17.0 | | | 4.5 | CKC 17/36 S | 43 | | |
| 1450 | 21.0 | | | 5.5 | CKC 21/36 S | 43 | | |
| 1450 | 34.6 | | | 9.1 | NK-C 35/350 R | 51 | | |
| 1450 | 47.1 | | | 12.5 | NK-C 47/350 R | 51 | | |
| 1450 | 47.1 | | | 12.5 | NK-C 47/350 R MI | 54 | | |
| 1450 | 35.0 | | | 9.2 | PENTA-C 35/350 R | 65 | | |
| 1750 | 13.4 | | | 3.5 | CKD 3.5/51 S | 43 | | |
| 1750 | 17.0 | | | 4.5 | CKD 4.5/51 S | 43 | | |
| 1750 | 20.8 | | | 5.5 | CKD 5.5/51 S | 43 | | |
| 1750 | 22.7 | 6.0 | CKD 6.0/51 S | 43 | | | | |

| PRESSIONE PRESSURE | | RPM | PORTATA FLOW | | MODELLO MODEL | PAG. PAGE |
|--------------------|-------|------|----------------|------|------------------|-----------|
| bar | PSI | | l/min | GPM | | |
| 350 | 5075 | 1750 | 22.7 | 6.0 | CKD 6.0/51 T MI | 47 |
| | | 1750 | 41.5 | 11.0 | NK-D 11.0/51 R | 51 |
| 400 | 5800 | 1000 | 25.0 | 6.6 | PENTA-B 25/400 R | 65 |
| | | 1450 | 35.0 | 9.2 | PENTA-C 35/400 R | 65 |
| 500 | 7250 | 1000 | 18.6 | 4.9 | NK-B 18/500 R | 57 |
| | | 1000 | 20.4 | 5.4 | NK-B 21/500 R | 57 |
| | | 1000 | 18.6 | 4.9 | NH-B 18/500 R | 58 |
| | | 1000 | 20.4 | 5.4 | NH-B 21/500 R | 58 |
| | | 1450 | 15.0 | 4.0 | CXC 15/50 S | 49 |
| | | 1450 | 18.0 | 4.8 | CXC 18/50 S | 49 |
| | | 1450 | 22.0 | 5.8 | CXC 22/50 S | 49 |
| | | 1450 | 12.0 | 3.2 | CHC 12/50 S | 50 |
| | | 1450 | 16.0 | 4.2 | CHC 16/50 S | 50 |
| | | 1450 | 20.0 | 5.3 | CHC 20/50 S | 50 |
| | | 1450 | 26.4 | 7.0 | NK-C 26/500 R | 57 |
| | | 1450 | 31.4 | 8.3 | NK-C 30/500 R | 57 |
| | | 1450 | 26.4 | 7.0 | NH-C 26/500 R | 58 |
| | | 1450 | 31.4 | 8.3 | NH-C 30/500 R | 58 |
| | | 1750 | 16.3 | 4.3 | CXD 4.5/75 S | 49 |
| | | 1750 | 18.0 | 4.8 | CXD 5.0/75 S | 49 |
| | | 1750 | 21.6 | 5.7 | CXD 6.0/75 S | 49 |
| | | 1750 | 11.5 | 3.0 | CHD 3.0/75 S | 50 |
| | | 1750 | 16.0 | 4.2 | CHD 4.5/75 S | 50 |
| | | 1750 | 25.0 | 6.6 | NK-D 6.5/75 R | 57 |
| 1750 | 31.3 | 8.3 | NK-D 8.0/75 R | 57 | | |
| 1750 | 25.0 | 6.6 | NH-D 6.5/75 R | 58 | | |
| 1750 | 31.3 | 8.3 | NH-D 8.0/75 R | 58 | | |
| 600 | 8700 | 1000 | 21.0 | 5.5 | PENTA-B 21/600 R | 67 |
| | | 1000 | 40.0 | 10.6 | VH-B 40/600 R | 75 |
| | | 1450 | 30.0 | 7.9 | PENTA-C 30/600 R | 67 |
| 800 | 11600 | 1750 | 28.0 | 7.4 | PENTA-D 7.5/88 R | 67 |
| | | 1000 | 20.0 | 5.3 | VY-B 20/800 R | 75 |
| | | 1000 | 24.5 | 6.5 | VY-B 25/800 R | 75 |
| 1000 | 14500 | 1200 | 20.0 | 5.3 | VY-F 20/800 R | 75 |
| | | 1750 | 24.0 | 6.3 | VY-D 6.5/12 R | 75 |
| | | 1000 | 14.6 | 3.9 | VY-B 15/1000 R | 75 |
| 1250 | 18130 | 1000 | 19.5 | 5.2 | VY-B 20/1000 R | 75 |
| | | 1000 | 24.0 | 6.3 | VY-B 25/1000 R | 75 |
| | | 1000 | 25.0 | 6.6 | VY-B 25/1000 S | 75 |
| | | 1200 | 15.0 | 4.0 | VY-F 15/1000 R | 75 |
| | | 1200 | 19.5 | 5.2 | VY-F 20/1000 R | 75 |
| | | 1450 | 15.0 | 4.0 | VY-C 15/1000 R | 75 |
| | | 1450 | 18.6 | 4.9 | VY-C 19/1000 R | 75 |
| | | 1750 | 15.5 | 4.1 | VY-D 4.0/15 R | 75 |
| | | 1750 | 18.1 | 4.8 | VY-D 5.0/15 R | 75 |
| | | 1000 | 14.1 | 3.7 | VY-B 14/1250 R | 75 |
| 1200 | 14.5 | 3.8 | VY-F 15/1250 R | 75 | | |
| 1200 | 14.5 | 3.8 | VY-F 15/1250 R | 75 | | |



- **POMPE STANDARD**
STANDARD PUMPS
- **POMPE IN ACCIAIO INOX**
STAINLESS STEEL PUMPS
- **POMPE PER ACQUA CALDA**
HIGH WATER TEMPERATURE PUMPS
- **POMPE PER CAR WASH**
CAR WASH PUMPS
- **POMPE ATEX**
ATEX PUMPS
- **ELETTROPOMPE**
PUMP MOTOR UNITS
- **MOTOPOMPE**
PUMP ENGINE UNITS
- **GRUPPI POMPA**
CON MOTORE IDRAULICO
HYDRAULIC PUMP UNITS



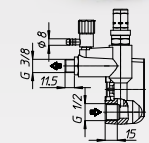
Tutti i modelli di Pompe della serie PN sono disponibili con Testata in Alluminio per pressioni fino a 90 bar (1300 PSI).

All models of PN Pumps are available with Aluminium Head for pressure up to 90 bar (1300 PSI).



Alcuni modelli di Pompe delle serie PN sono disponibili con Valvola di regolazione (e dosatore) incorporata nella testata. Nella descrizione della Pompa viene aggiunta una "V" alla fine. Esempio: PNC 13/12 S diventa PNC 13/12 S-V. Per informazioni su prezzi e codici per favore contattare l'azienda.

Some Pump models of PN serie are available with built-in Unloader valve (and injector). The model description takes a "V" at the end. Example: PNC 13/12 S becomes PNC 13/12 S-V. For price and code information please contact us.

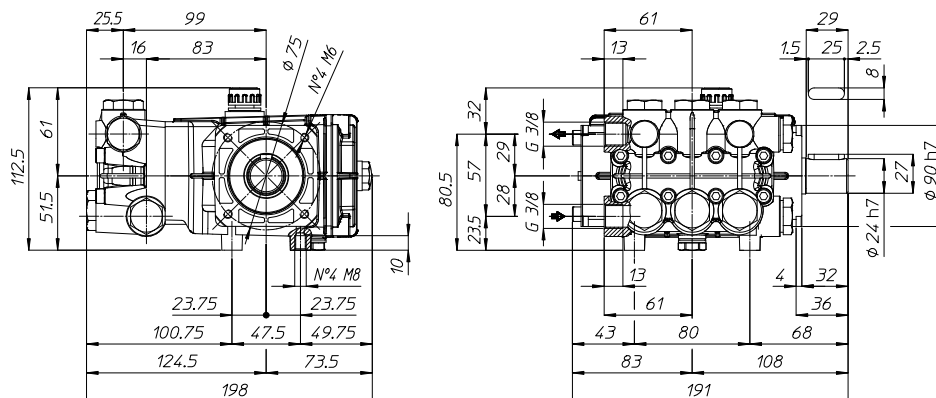


| RPM | CODICE CODE | MODELLO MODEL | PORTATA FLOW | | PRESSIONE PRESSURE | | POTENZA POWER | | PESO WEIGHT | PRESA DI FORZA SHAFT TYPE |
|------|-------------|---------------|--------------|-----|--------------------|------|---------------|-----|-------------|---|
| | | | l/min | GPM | bar | PSI | HP | kW | | |
| 1450 | 273100 | PNC 02/10 S | 2.0 | 0.5 | 100 | 1450 | 0.5 | 0.4 | 5.3 | S - Albero MASCHIO 24 mm DX S - MALE Shaft 24 mm RIGHT |
| | 959800 | PNC 04/10 S | 4.0 | 1.1 | 100 | 1450 | 1.0 | 0.7 | 5.3 | |
| | 959900 | PNC 06/10 S | 6.0 | 1.6 | 100 | 1450 | 1.5 | 1.1 | 5.3 | |
| | 950600 | PNC 09/11 S | 9.0 | 2.4 | 110 | 1595 | 2.5 | 1.9 | 5.3 | |
| | 950200 | PNC 11/11 S | 11.0 | 2.9 | 110 | 1595 | 3.1 | 2.3 | 5.3 | |
| | 950700 | PNC 13/12 S | 13.0 | 3.4 | 120 | 1740 | 4.0 | 3.0 | 5.3 | |
| 1750 | 949700 | PND 2.0/20 S | 7.6 | 2.0 | 140 | 2030 | 2.7 | 2.0 | 5.3 | |
| | 271000 | PND 2.5/20 S | 9.5 | 2.5 | 140 | 2030 | 3.4 | 2.5 | 5.3 | |
| | 951100 | PND 3.0/20 S | 11.4 | 3.0 | 140 | 2030 | 4.1 | 3.1 | 5.3 | |
| | 950500 | PND 3.5/20 S | 13.2 | 3.5 | 140 | 2030 | 4.7 | 3.5 | 5.3 | |
| 2800 | 951300 | PND 4.0/20 S | 15.0 | 4.0 | 140 | 2030 | 5.4 | 4.0 | 5.3 | |
| | 949200 | PNE 08/14 S | 8.0 | 2.1 | 140 | 2030 | 2.9 | 2.2 | 5.3 | |
| | 949600 | PNE 11/14 S | 11.0 | 2.9 | 140 | 2030 | 3.9 | 2.9 | 5.3 | |
| | 949900 | PNE 13/12 S | 13.0 | 3.4 | 120 | 1740 | 4.0 | 3.0 | 5.3 | |

Tutti i modelli di POMPE sono disponibili con Presa di Forza Sinistra (L). Esempio: PNC 02/10 S-L

All models of PUMPS are available with Left P.T.O. Shaft (L). Example: PNC 02/10 S-L

Dimensioni d'ingombro (mm) - Overall Dimensions (mm)



PN



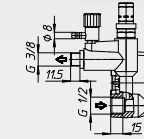
Tutti i modelli di Pompe della serie PN sono disponibili con Testata in Alluminio per pressioni fino a 90 bar (1300 PSI).

All models of PN Pumps are available with Aluminium Head for pressure up to 90 bar (1300 PSI).



Alcuni modelli di Pompe delle serie PN sono disponibili con Valvola di regolazione (e dosatore) incorporata nella testata. Nella descrizione della Pompa viene aggiunta una "V" alla fine. Esempio: PNC 13/15 S diventa PNC 13/15 S-V. Per informazioni su prezzi e codici per favore contattare l'azienda.

Some Pump models of PN serie are available with built-in Unloader valve (and injector). The model description takes a "V" at the end. Example: PNC 13/15 S becomes PNC 13/15 S-V. For price and code information please contact us.

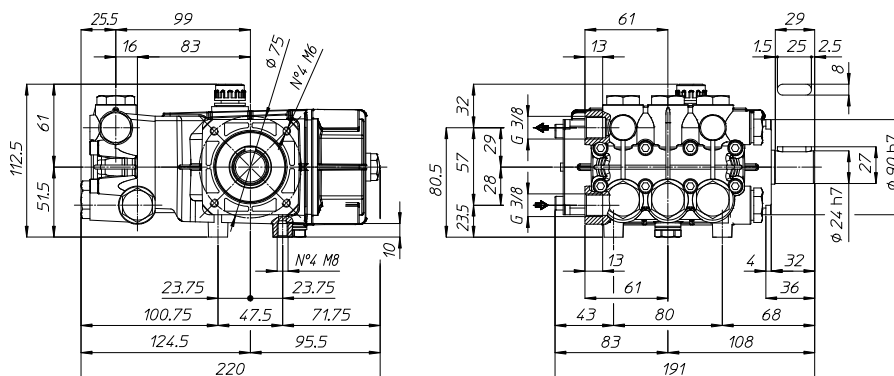


| RPM | CODICE CODE | MODELLO MODEL | PORTATA FLOW | | PRESSIONE PRESSURE | | POTENZA POWER | | PESO WEIGHT | PRESA DI FORZA SHAFT TYPE |
|------|-------------|---------------|--------------|-----|--------------------|------|---------------|-----|-------------|---|
| | | | l/min | GPM | bar | PSI | HP | kW | | |
| 1450 | 951400 | PNC 09/17 S | 9.0 | 2.4 | 170 | 2465 | 3.9 | 2.9 | 5.6 | S - Albero MASCHIO 24 mm DX S - MALE Shaft 24 mm RIGHT |
| | 951000 | PNC 13/15 S | 13.0 | 3.4 | 150 | 2175 | 5.0 | 3.7 | 5.6 | |
| 2800 | 950000 | PNE 13/15 S | 13.0 | 3.4 | 150 | 2175 | 5.0 | 3.7 | 5.6 | |

Tutti i modelli di POMPE sono disponibili con Presa di Forza Sinistra (L). Esempio : PNC 09/17 S-L

All models of PUMPS are available with Left P.T.O. Shaft (L). Example : PNC 09/17 S-L

Dimensioni d'ingombro (mm) - Overall Dimensions (mm)





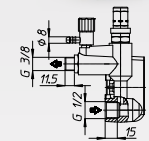
Tutti i modelli di Pompe della serie PN sono disponibili con Testata in Alluminio per pressioni fino a 90 bar (1300 PSI).

All models of PN Pumps are available with Aluminium Head for pressure up to 90 bar (1300 PSI).



Alcuni modelli di Pompe delle serie PN sono disponibili con Valvola di regolazione (e dosatore) incorporata nella testata. Nella descrizione della Pompa viene aggiunta una "V" alla fine. Esempio: PND 2.0/20 Z diventa PND 2.0/20 Z-V. Per informazioni su prezzi e codici per favore contattare l'azienda.

Some Pump models of PN serie are available with built-in Unloader valve (and injector). The model description takes a "V" at the end. Example: PND 2.0/20 Z becomes PND 2.0/20 Z-V. For price and code information please contact us.

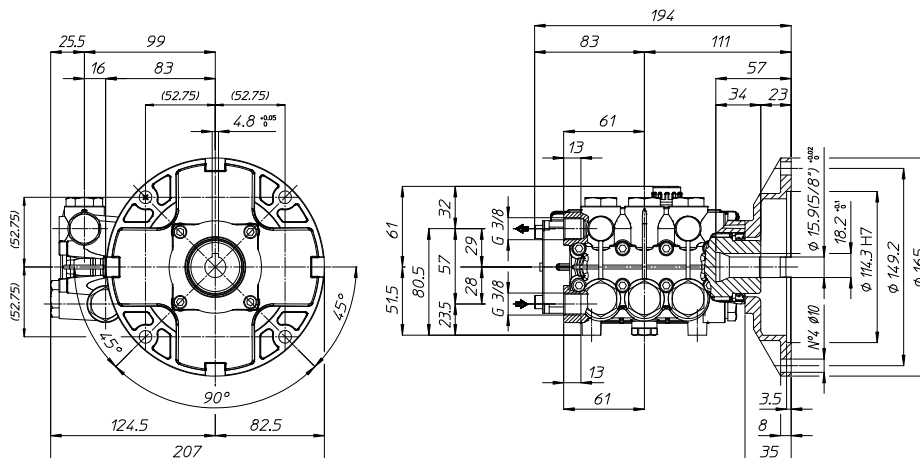


| RPM | CODICE CODE | MODELLO MODEL | PORTATA FLOW | | PRESSIONE PRESSURE | | POTENZA POWER | | PESO WEIGHT Kg | PRESA DI FORZA SHAFT TYPE |
|------|-------------|---------------|--------------|-----|--------------------|------|---------------|-----|----------------|--|
| | | | l/min | GPM | bar | PSI | HP | kW | | |
| 1750 | 952000 | PND 2.0/20 Z | 7.6 | 2.0 | 140 | 2030 | 2.7 | 2.0 | 5.7 | Z - Albero CAVO 5/8" DX Z - HOLLOW Shaft 5/8" RIGHT |
| | 952400 | PND 3.0/20 Z | 11.4 | 3.0 | 140 | 2030 | 4.1 | 3.1 | 5.7 | |
| | 952200 | PND 3.5/20 Z | 13.2 | 3.5 | 140 | 2030 | 4.7 | 3.5 | 5.7 | |
| | 952700 | PND 4.0/20 Z | 15.0 | 4.0 | 140 | 2030 | 5.4 | 4.0 | 5.7 | |

Tutti i modelli di POMPE sono disponibili con Presa di Forza Sinistra (L). Esempio : PND 2.0/20 Z-L

All models of PUMPS are available with Left P.T.O. Shaft (L). Example : PND 2.0/20 Z-L

Dimensioni d'ingombro (mm) - Overall Dimensions (mm)



PN



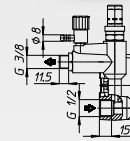
Tutti i modelli di Pompe della serie PN sono disponibili con Testata in Alluminio per pressioni fino a 90 bar (1300 PSI).

All models of PN Pumps are available with Aluminium Head for pressure up to 90 bar (1300 PSI).



Alcuni modelli di Pompe delle serie PN sono disponibili con Valvola di regolazione (e dosatore) incorporata nella testata. Nella descrizione della Pompa viene aggiunta una "V" alla fine. Esempio: PNC 08/17 I diventa PNC 08/17 I-V. Per informazioni su prezzi e codici per favore contattare l'azienda.

Some Pump models of PN serie are available with built-in Unloader valve (and injector). The model description takes a "V" at the end. Example: PNC 08/17 I becomes PNC 08/17 I-V. For price and code information please contact us.

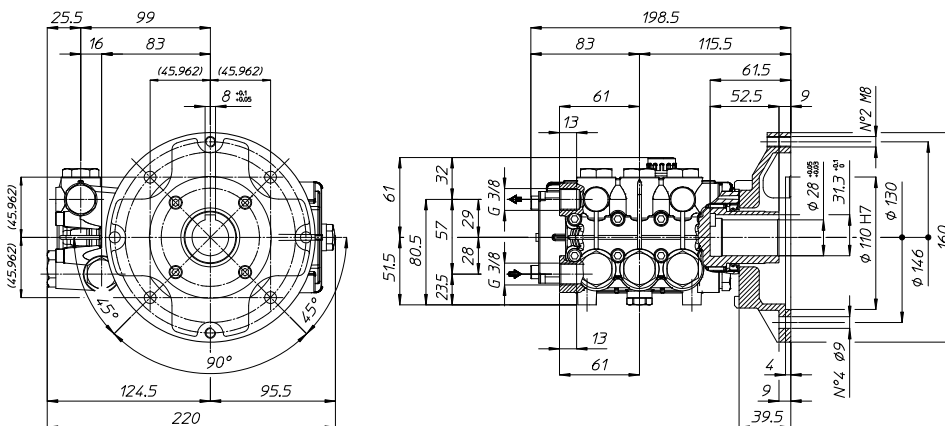


| RPM | CODICE CODE | MODELLO MODEL | PORTATA FLOW | | PRESSIONE PRESSURE | | POTENZA POWER | | PESO WEIGHT | PRESA DI FORZA SHAFT TYPE |
|------|-------------|---------------|--------------|-----|--------------------|------|---------------|-----|-------------|--|
| | | | l/min | GPM | bar | PSI | HP | kW | | |
| 1450 | 271200 | PNC 08/17 I | 8.0 | 2.1 | 170 | 2465 | 3.5 | 2.6 | 5.8 | I - Albero CAVO 28 mm DX I - HOLLOW Shaft 28 mm RIGHT |

Tutti i modelli di POMPE sono disponibili con Presa di Forza Sinistra (L). Esempio : PNC 08/17 I-L

All models of PUMPS are available with Left P.T.O. Shaft (L). Example : PNC 08/17 I-L


Dimensioni d'ingombro (mm) - Overall Dimensions (mm)






Tutti i modelli di Pompe della serie PN sono disponibili con Testata in Alluminio per pressioni fino a 90 bar (1300 PSI).

All models of PN Pumps are available with Aluminium Head for pressure up to 90 bar (1300 PSI).



Alcuni modelli di Pompe delle serie PN sono disponibili con Valvola di regolazione (e dosatore) incorporata nella testata. Nella descrizione della Pompa viene aggiunta una "V" alla fine. Esempio: PNC 12/14 I diventa PNC 12/14 I-V. Per informazioni su prezzi e codici per favore contattare l'azienda.

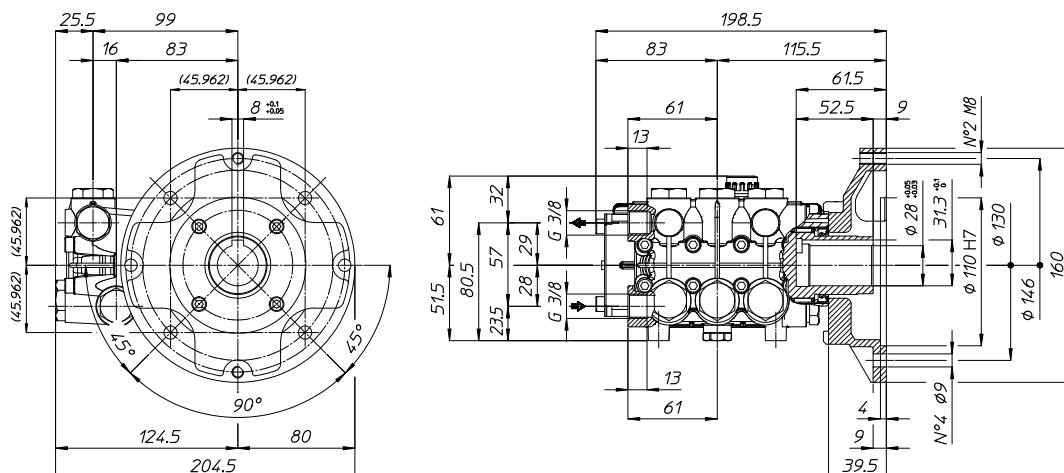
Some Pump models of PN serie are available with built-in Unloader valve (and injector). The model description takes a "V" at the end. Example: PNC 12/14 I becomes PNC 12/14 I-V. For price and code information please contact us.



| RPM | CODICE CODE | MODELLO MODEL | PORTATA FLOW | | PRESSIONE PRESSURE | | POTENZA POWER | | PESO WEIGHT Kg | PRESA DI FORZA SHAFT TYPE |
|------|-------------|---------------|--------------|-----|--------------------|------|---------------|-----|----------------|--|
| | | | l/min | GPM | bar | PSI | HP | kW | | |
| 1450 | 959700 | PNC 12/14 I | 12.0 | 3.2 | 140 | 2030 | 4.3 | 3.2 | 5.7 | I - Albero CAVO 28 mm DX I - HOLLOW Shaft 28 mm RIGHT |

Tutti i modelli di POMPE sono disponibili con Presa di Forza Sinistra (L). Esempio : PNC 12/14 I-L
 All models of PUMPS are available with Left P.T.O. Shaft (L). Example : PNC 12/14 I-L

Dimensioni d'ingombro (mm) - Overall Dimensions (mm)



PN



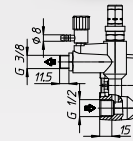
Tutti i modelli di Pompe della serie PN sono disponibili con Testata in Alluminio per pressioni fino a 90 bar (1300 PSI).

All models of PN Pumps are available with Aluminium Head for pressure up to 90 bar (1300 PSI).



Alcuni modelli di Pompe delle serie PN sono disponibili con Valvola di regolazione (e dosatore) incorporata nella testata. Nella descrizione della Pompa viene aggiunta una "V" alla fine. Esempio: PNL 2.5/20 T diventa PNL 2.5/20 T-V. Per informazioni su prezzi e codici per favore contattare l'azienda.

Some Pump models of PN serie are available with built-in Unloader valve (and injector). The model description takes a "V" at the end. Example: PNL 2.5/20 T becomes PNL 2.5/20 T-V. For price and code information please contact us.

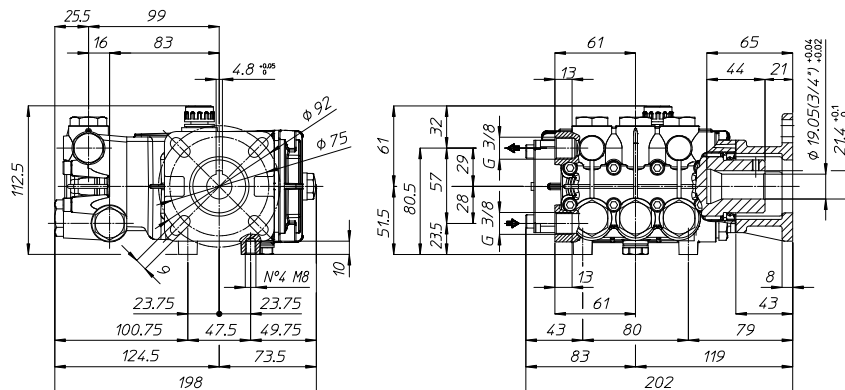


| RPM | CODICE CODE | MODELLO MODEL | PORTATA FLOW | | PRESSIONE PRESSURE | | POTENZA POWER | | PESO WEIGHT | PRESA DI FORZA SHAFT TYPE |
|------|-------------|---------------|--------------|-----|--------------------|------|---------------|-----|-------------|--|
| | | | l/min | GPM | bar | PSI | HP | kW | | |
| 3400 | 955400 | PNL 2.5/20 T | 9.5 | 2.5 | 140 | 2030 | 3.4 | 2.5 | 5.7 | T - Albero CAVO 3/4" DX T - HOLLOW Shaft 3/4" RIGHT |
| | 953700 | PNL 3.0/20 T | 11.4 | 3.0 | 140 | 2030 | 4.1 | 3.1 | 5.7 | |

Tutti i modelli di POMPE sono disponibili con Presa di Forza Sinistra (L). Esempio : PNL 2.5/20 T-L

All models of PUMPS are available with Left P.T.O. Shaft (L). Example : PNL 2.5/20 T-L

Dimensioni d'ingombro (mm) - Overall Dimensions (mm)





PN



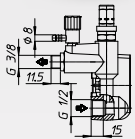
Tutti i modelli di Pompe della serie PN sono disponibili con Testata in Alluminio per pressioni fino a 90 bar (1300 PSI).

All models of PN Pumps are available with Aluminium Head for pressure up to 90 bar (1300 PSI).



Alcuni modelli di Pompe delle serie PN sono disponibili con Valvola di regolazione (e dosatore) incorporata nella testata. Nella descrizione della Pompa viene aggiunta una "V" alla fine. Esempio: PNL 3.0/25 T diventa PNL 3.0/25 T-V. Per informazioni su prezzi e codici per favore contattare l'azienda.

Some Pump models of PN serie are available with built-in Unloader valve (and injector). The model description takes a "V" at the end. Example: PNL 3.0/25 T becomes PNL 3.0/25 T-V. For price and code information please contact us.

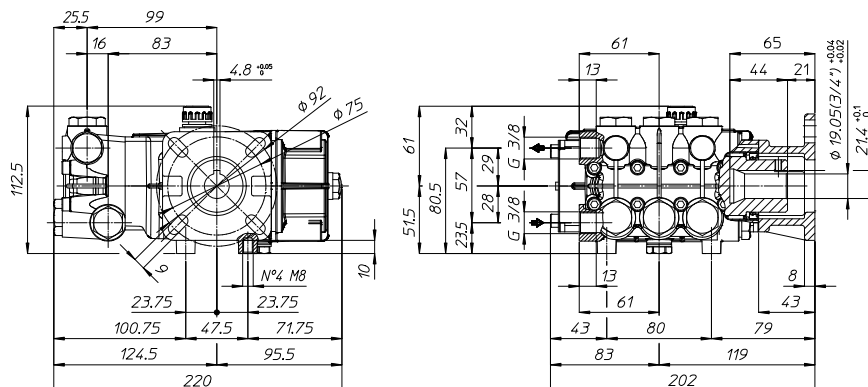


| RPM | CODICE CODE | MODELLO MODEL | PORTATA FLOW | | PRESSIONE PRESSURE | | POTENZA POWER | | PESO WEIGHT Kg | PRESA DI FORZA SHAFT TYPE |
|------|-------------|---------------|--------------|-----|--------------------|------|---------------|-----|----------------|-----------------------------|
| | | | l/min | GPM | bar | PSI | HP | kW | | |
| 3400 | 953900 | PNL 3.0/25 T | 11.4 | 3.0 | 170 | 2465 | 5.0 | 3.7 | 6.0 | T - Albero CAVO 3/4" DX |
| | 955500 | PNL 3.5/22 T | 13.2 | 3.5 | 150 | 2175 | 5.1 | 3.8 | 6.0 | T - HOLLOW Shaft 3/4" RIGHT |

Tutti i modelli di POMPE sono disponibili con Presa di Forza Sinistra (L). Esempio : PNL 3.0/25 T-L

All models of PUMPS are available with Left P.T.O. Shaft (L). Example : PNL 3.0/25 T-L

Dimensioni d'ingombro (mm) - Overall Dimensions (mm)



PN MI

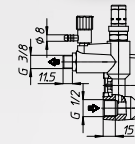


Tutti i modelli di Pompe della serie PN sono disponibili con Testata in Alluminio per pressioni fino a 90 bar (1300 PSI).

All models of PN Pumps are available with Aluminium Head for pressure up to 90 bar (1300 PSI).



Alcuni modelli di Pompe delle serie PN sono disponibili con Valvola di regolazione (e dosatore) incorporata nella testata. Nella descrizione della Pompa viene aggiunta una "V" alla fine. Esempio: PND 4.0/20 T MI diventa PND 4.0/20 T MI-V. Per informazioni su prezzi e codici per favore contattare l'azienda.



Some Pump models of PN serie are available with built-in Unloader valve (and injector). The model description takes a "V" at the end.

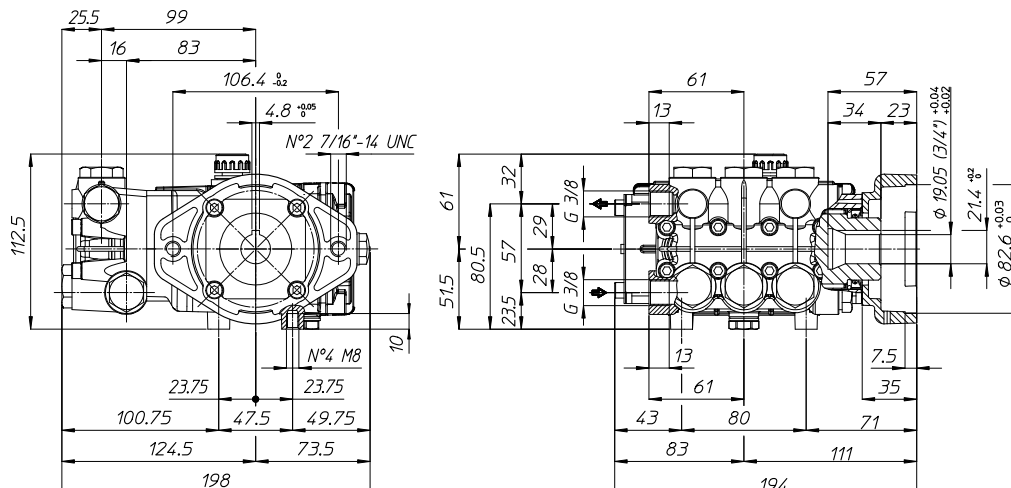
Example: PND 4.0/20 T MI becomes PND 4.0/20 T MI-V. For price and code information please contact us.

| RPM | CODICE CODE | MODELLO MODEL | PORTATA FLOW | | PRESSIONE PRESSURE | | POTENZA POWER | | PESO WEIGHT | PRESA DI FORZA SHAFT TYPE |
|------|-------------|-----------------|--------------|-----|--------------------|------|---------------|-----|-------------|--|
| | | | l/min | GPM | bar | PSI | HP | kW | | |
| 1750 | 956700 | PND 4.0/20 T MI | 15.0 | 4.0 | 140 | 2030 | 5.4 | 4.0 | 5.8 | T - Albero CAVO 3/4" DX T - HOLLOW Shaft 3/4" RIGHT |

Tutti i modelli di POMPE sono disponibili con Presa di Forza Sinistra (L). Esempio : PND 4.0/20 T MI-L


All models of PUMPS are available with Left P.T.O. Shaft (L). Example : PND 4.0/20 T MI-L

Dimensioni d'ingombro (mm) - Overall Dimensions (mm)





PK



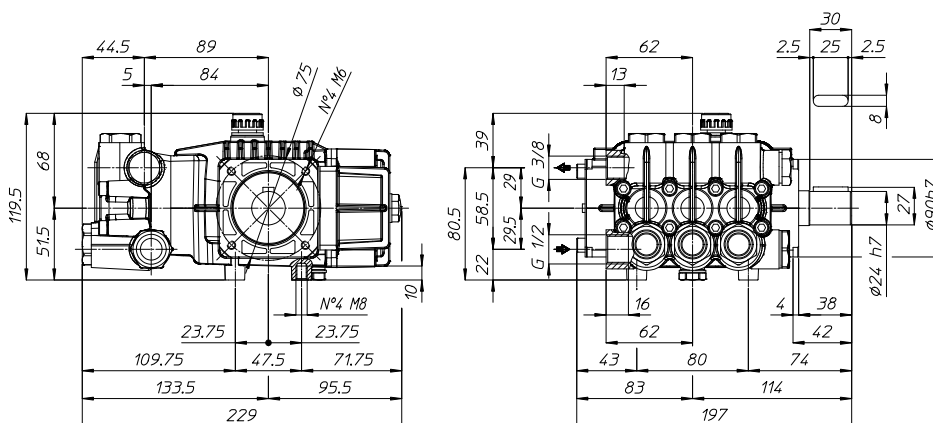
Alcuni modelli di Pompa della serie PK sono disponibili con Valvola di regolazione (e dosatore) incorporata nella testata. Esempio: PKNC 13/17 S-V
Per informazione sui prezzi e codici per favore contattare l'azienda.
Some Pump models of PK serie are available with built-in Unloader valve (and Injector).
Example: PKNC 13/17 S-V. For price and code information please contact us.



| RPM | CODICE CODE | MODELLO MODEL | PORTATA FLOW | | PRESSIONE PRESSURE | | POTENZA POWER | | PESO WEIGHT | PRESA DI FORZA SHAFT TYPE |
|------|-------------|---------------|--------------|-----|--------------------|------|---------------|-----|-------------|---|
| | | | l/min | GPM | bar | PSI | HP | kW | | |
| 1450 | 272800 | PKC 09/20 S | 9.0 | 2.4 | 200 | 2900 | 4.6 | 3.4 | 6.3 | S - Albero MASCHIO 24 mm DX S - MALE Shaft 24 mm RIGHT |
| | 917600 | PKC 10/20 S | 10.0 | 2.6 | 200 | 2900 | 5.1 | 3.8 | 6.3 | |
| | 917500 | PKC 11/17 S | 11.0 | 2.9 | 170 | 2465 | 4.8 | 3.6 | 6.3 | |
| | 917400 | PKC 13/17 S | 13.0 | 3.4 | 170 | 2465 | 5.7 | 4.2 | 6.3 | |
| | 916700 | PKC 15/15 S | 15.0 | 4.0 | 150 | 2175 | 5.8 | 4.3 | 6.3 | |
| | 270700 | PKC 15/20 S | 15.0 | 4.0 | 200 | 2900 | 7.7 | 5.7 | 6.3 | |
| 1750 | 274800 | PKD 3.0/25 S | 12.0 | 3.2 | 170 | 2465 | 5.2 | 3.8 | 6.3 | |
| | 271500 | PKD 4.0/25 S | 15.0 | 4.0 | 170 | 2465 | 6.5 | 4.8 | 6.3 | |

Tutti i modelli di POMPE sono disponibili con Presa di Forza Sinistra (L). Esempio : PKC 09/20 S-L
All models of PUMPS are available with Left P.T.O. Shaft (L). Example : PKC 09/20 S-L

Dimensioni d'ingombro (mm) - Overall Dimensions (mm)



PK

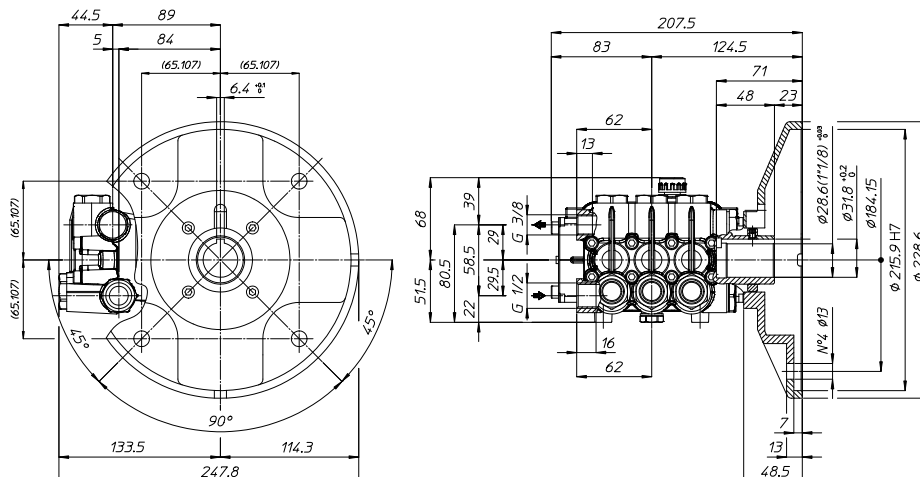


Alcuni modelli di Pompa della serie PK sono disponibili con Valvola di regolazione (e dosatore) incorporata nella testata.
Esempio: PKND 4.0/25 U-V
Per informazione sui prezzi e codici per favore contattare l'azienda.
Some Pump models of PK serie are available with built-in Unloader valve (and Injector).
Example: PKND 4.0/25 U-V
For price and code information please contact us.

| RPM | CODICE CODE | MODELLO MODEL | PORTATA FLOW | | PRESSIONE PRESSURE | | POTENZA POWER | | PESO WEIGHT Kg | PRESA DI FORZA SHAFT TYPE |
|------|-------------|---------------|--------------|-----|--------------------|------|---------------|-----|----------------|--|
| | | | l/min | GPM | bar | PSI | HP | kW | | |
| 1750 | 917000 | PKD 4.0/25 U | 15.0 | 4.0 | 170 | 2465 | 6.5 | 4.8 | 7.3 | U - Albero CAVO 1 1/8 DX U - HOLLOW Shaft 1 1/8 RIGHT |

Tutti i modelli di POMPE sono disponibili con Presa di Forza Sinistra (L). Esempio : PKD 4.0/25 U-L
All models of PUMPS are available with Left P.T.O. Shaft (L). Example : PKD 4.0/25 U-L

Dimensioni d'ingombro (mm) - Overall Dimensions (mm)





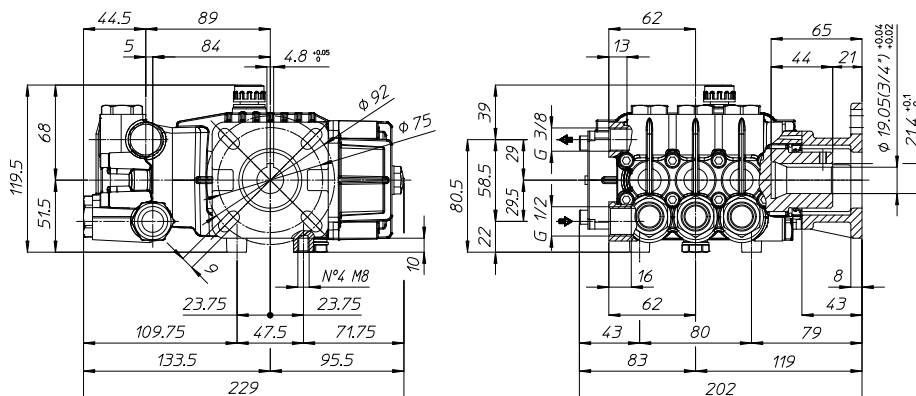
Alcuni modelli di Pompa della serie PK sono disponibili con Valvola di regolazione (e dosatore) incorporata nella testata.
Esempio: PKNL 3.5/30 T-V
Per informazione sui prezzi e codici per favore contattare l'azienda.
Some Pump models of PK serie are available with built-in Unloader valve (and Injector).
Example: PKNL 3.5/30 T-V
For price and code information please contact us.



| RPM | CODICE CODE | MODELLO MODEL | PORTATA FLOW | | PRESSIONE PRESSURE | | POTENZA POWER | | PESO WEIGHT | PRESA DI FORZA SHAFT TYPE |
|------|-------------|---------------|--------------|-----|--------------------|------|---------------|-----|-------------|--|
| | | | l/min | GPM | bar | PSI | HP | kW | | |
| 3400 | 710003 | PKL 3.5/30 T | 13.2 | 3.5 | 200 | 2900 | 6.8 | 5.0 | 6.6 | T - Albero CAVO 3/4" DX T - HOLLOW Shaft 3/4" RIGHT |

Tutti i modelli di POMPE sono disponibili con Presa di Forza Sinistra (L). Esempio : PKL 3.5/30 T-L
All models of PUMPS are available with Left P.T.O. Shaft (L). Example : PKL 3.5/30 T-L

Dimensioni d'ingombro (mm) - Overall Dimensions (mm)



PK

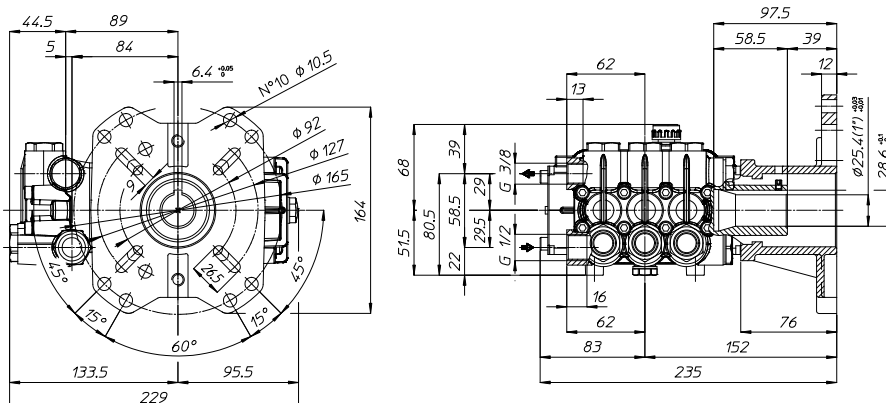


Alcuni modelli di Pompa della serie PK sono disponibili con Valvola di regolazione (e dosatore) incorporata nella testata.
Esempio: PKNL 3.0/30 W-V
Per informazione sui prezzi e codici per favore contattare l'azienda.
Some Pump models of PK serie are available with built-in Unloader valve (and Injector).
Example: PKNL 3.0/30 W-V
For price and code information please contact us.

| RPM | CODICE CODE | MODELLO MODEL | PORTATA FLOW | | PRESSIONE PRESSURE | | POTENZA POWER | | PESO WEIGHT | PRESA DI FORZA SHAFT TYPE |
|------|-------------|---------------|--------------|-----|--------------------|------|---------------|-----|-------------|--|
| | | | l/min | GPM | bar | PSI | HP | kW | | |
| 3400 | 917300 | PKL 3.0/30 W | 11.4 | 3.0 | 200 | 2900 | 5.8 | 4.3 | 7.3 | W - Albero CAVO 1" DX W - HALLOW Shaft 1" RIGHT |
| | 917200 | PKL 3.5/30 W | 13.2 | 3.5 | 200 | 2900 | 6.8 | 5.1 | 7.3 | |
| | 917100 | PKL 4.0/30 W | 15.0 | 4.0 | 200 | 2900 | 7.7 | 5.7 | 7.3 | |

Tutti i modelli di POMPE sono disponibili con Presa di Forza Sinistra (L). Esempio : PKL 3.0/30 W-L
All models of PUMPS are available with Left P.T.O. Shaft (L). Example: PKL 3.0/30 W-L

Dimensioni d'ingombro (mm) - Overall Dimensions (mm)





PK MI



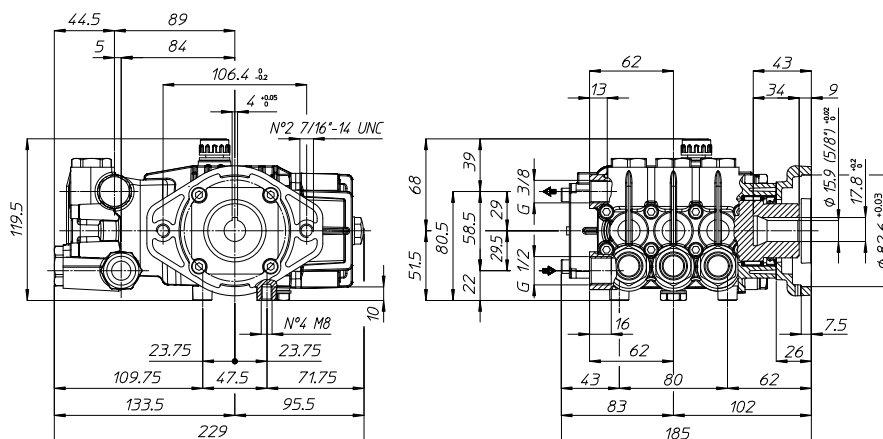
Alcuni modelli di Pompa della serie PK sono disponibili con Valvola di regolazione (e dosatore) incorporata nella testata.
 Esempio: PKNC 14/20 Z MI-V
 Per informazione sui prezzi e codici per favore contattare l'azienda.
 Some Pump models of PK serie are available with built-in Unloader valve (and Injector).
 Example: PKNC 14/20 Z MI-V
 For price and code information please contact us.



| RPM | CODICE CODE | MODELLO MODEL | PORTATA FLOW | | PRESSIONE PRESSURE | | POTENZA POWER | | PESO WEIGHT | PRESA DI FORZA SHAFT TYPE |
|------|-------------|----------------|--------------|-----|--------------------|------|---------------|-----|-------------|--|
| | | | l/min | GPM | bar | PSI | HP | kW | | |
| 1450 | 271400 | PKC 14/20 Z MI | 14.0 | 3.7 | 200 | 2900 | 7.2 | 5.4 | 6.7 | Z - Albero CAVO 5/8" DX Z - HOLLOW SHAFT 5/8" RIGHT |

Tutti i modelli di POMPE sono disponibili con Presa di Forza Sinistra (L). Esempio : PKC 14/20 Z MI-L
 All models of PUMPS are available with Left P.T.O. Shaft (L). Example: PKC 14/20 Z MI-L

Dimensioni d'ingombro (mm) - Overall Dimensions (mm)



B



Tutti i modelli di Pompe della Serie B sono disponibili con certificazione ATEX, su richiesta.

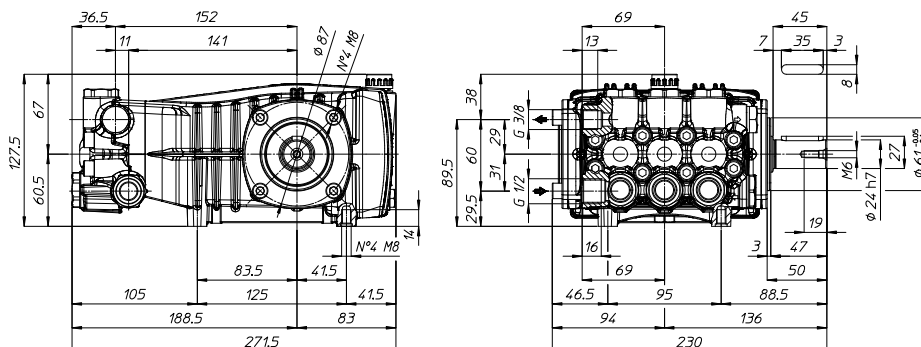
Upon request, all models of B pumps series are available with ATEX certification.

| RPM | CODICE CODE | MODELLO MODEL | PORTATA FLOW | | PRESSIONE PRESSURE | | POTENZA POWER | | PESO WEIGHT | PRESA DI FORZA SHAFT TYPE |
|------|-------------|---------------|--------------|-----|--------------------|------|---------------|-----|-------------|---|
| | | | l/min | GPM | bar | PSI | HP | kW | | |
| 1450 | 905200 | BC 13/20 S | 13.0 | 3.4 | 200 | 2900 | 6.7 | 5.0 | 9.5 | S - Albero MASCHIO 24 mm DX S - MALE Shaft 24 mm RIGHT |
| | 908000 | BC 15/15 S | 15.0 | 4.0 | 150 | 2175 | 5.8 | 4.3 | 9.5 | |
| | 905700 | BC 15/20 S | 15.0 | 4.0 | 200 | 2900 | 7.7 | 5.7 | 9.5 | |
| | 906100 | BC 18/20 S | 18.5 | 4.9 | 200 | 2900 | 9.5 | 7.1 | 9.5 | |
| | 907900 | BC 21/15 S | 21.0 | 5.5 | 150 | 2175 | 8.1 | 6.0 | 9.5 | |
| | 905000 | BC 21/20 S | 21.0 | 5.5 | 200 | 2900 | 10.8 | 8.1 | 9.5 | |
| 1750 | 427700 | BD 3.5/30 S | 13.2 | 3.5 | 200 | 2900 | 6.8 | 5.0 | 9.5 | |
| | 905300 | BD 4.0/20 S | 15.5 | 4.1 | 140 | 2030 | 5.6 | 4.2 | 9.5 | |
| | 905400 | BD 4.0/30 S | 15.5 | 4.1 | 200 | 2900 | 7.9 | 5.9 | 9.5 | |
| | 905800 | BD 5.0/30 S | 18.2 | 4.8 | 200 | 2900 | 9.3 | 6.9 | 9.5 | |
| | 909300 | BD 6.0/30 S | 22.7 | 6.0 | 200 | 2900 | 11.6 | 8.7 | 9.5 | |

Tutti i modelli di POMPE sono disponibili con Presa di Forza Sinistra (L). Esempio : BC 13/20 S-L

All models of PUMPS are available with Left P.T.O. Shaft (L). Example : BC 13/20 S-L

Dimensioni d'ingombro (mm) - Overall Dimensions (mm)





Tutti i modelli di Pompe della Serie B sono disponibili con certificazione ATEX, su richiesta.

Upon request, all models of B pumps series are available with ATEX certification.

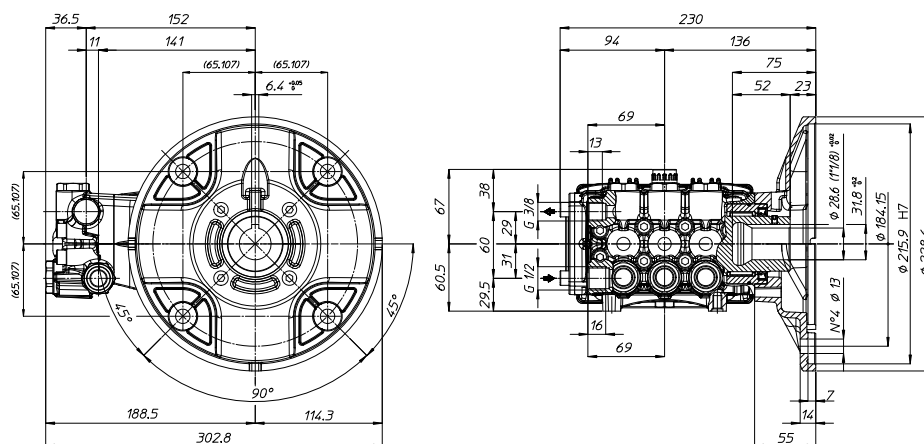


| RPM | CODICE CODE | MODELLO MODEL | PORTATA FLOW | | PRESSIONE PRESSURE | | POTENZA POWER | | PESO WEIGHT | PRESA DI FORZA SHAFT TYPE |
|------|-------------|---------------|--------------|-----|--------------------|------|---------------|-----|-------------|--|
| | | | l/min | GPM | bar | PSI | HP | kW | | |
| 1750 | 907700 | BD 4.0/20 U | 15.5 | 4.1 | 140 | 2030 | 5.6 | 4.2 | 10.3 | U - Albero CAVO 1 1/8 DX U - HOLLOW Shaft 1 1/8 RIGHT |
| | 907800 | BD 4.0/30 U | 15.5 | 4.1 | 200 | 2900 | 7.9 | 5.9 | 10.3 | |
| | 907600 | BD 5.0/30 U | 19.0 | 5.0 | 200 | 2900 | 9.7 | 7.2 | 10.3 | |

Tutti i modelli di POMPE sono disponibili con Presa di Forza Sinistra (L). Esempio: BD 4.0/20 U-L

All models of PUMPS are available with Left P.T.O. Shaft (L). Example: BD 4.0/20 U-L

Dimensioni d'ingombro (mm) - Overall Dimensions (mm)



B



Tutti i modelli di Pompe della Serie B sono disponibili con certificazione ATEX, su richiesta.

Upon request, all models of B pumps series are available with ATEX certification.

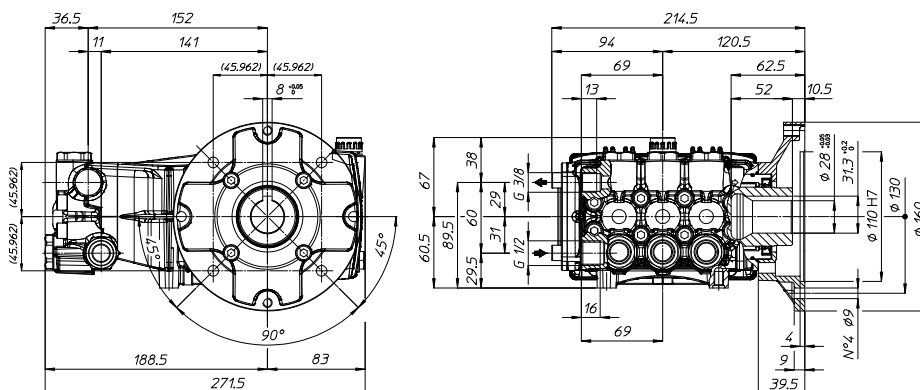


| RPM | CODICE CODE | MODELLO MODEL | PORTATA FLOW | | PRESSIONE PRESSURE | | POTENZA POWER | | PESO WEIGHT Kg | PRESA DI FORZA SHAFT TYPE |
|------|-------------|---------------|--------------|-----|--------------------|------|---------------|-----|----------------|--|
| | | | l/min | GPM | bar | PSI | HP | kW | | |
| 1450 | 906600 | BC 13/20 I | 13.0 | 3.4 | 200 | 2900 | 6.7 | 5.0 | 9.8 | I - Albero CAVO 28 mm DX I - HOLLOW Shaft 28 mm RIGHT |
| | 906700 | BC 15/20 I | 15.0 | 4.0 | 200 | 2900 | 7.7 | 5.7 | 9.8 | |
| | 425700 | BC 18/20 I | 18.5 | 4.9 | 200 | 2900 | 9.5 | 7.1 | 9.8 | |

Tutti i modelli di POMPE sono disponibili con Presa di Forza Sinistra (L). Esempio : BC 13/20 I-L

All models of PUMPS are available with Left P.T.O. Shaft (L). Example : BC 13/20 I-L

Dimensioni d'ingombro (mm) - Overall Dimensions (mm)





Tutti i modelli di Pompe della Serie B sono disponibili con certificazione ATEX, su richiesta.

Upon request, all models of B pumps series are available with ATEX certification.

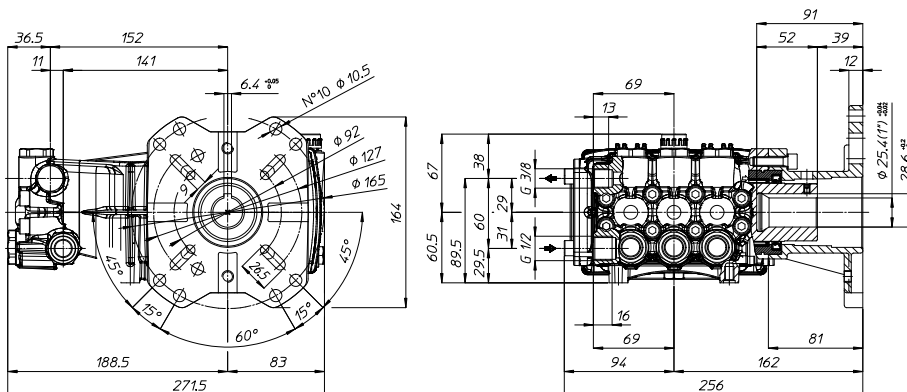


| RPM | CODICE CODE | MODELLO MODEL | PORTATA FLOW | | PRESSIONE PRESSURE | | POTENZA POWER | | PESO WEIGHT | PRESA DI FORZA SHAFT TYPE |
|------|-------------|---------------|--------------|-----|--------------------|------|---------------|-----|-------------|---------------------------|
| | | | l/min | GPM | bar | PSI | HP | kW | | |
| 3400 | 907200 | BL 4.0/30 W | 15.5 | 4.1 | 200 | 2900 | 7.9 | 5.9 | 10.4 | W - Albero CAVO 1" DX |
| | 907400 | BL 5.0/30 W | 19.0 | 5.0 | 200 | 2900 | 9.7 | 7.2 | 10.4 | W - HOLLOW Shaft 1" RIGHT |

Tutti i modelli di POMPE sono disponibili con Presa di Forza Sinistra (L). Esempio: BL 4.0/30 W-L

All models of PUMPS are available with Left P.T.O. Shaft (L). Example: BL 4.0/30 W-L

Dimensioni d'ingombro (mm) - Overall Dimensions (mm)



B MI



Tutti i modelli di Pompe della Serie B MI sono disponibili con certificazione ATEX, su richiesta.

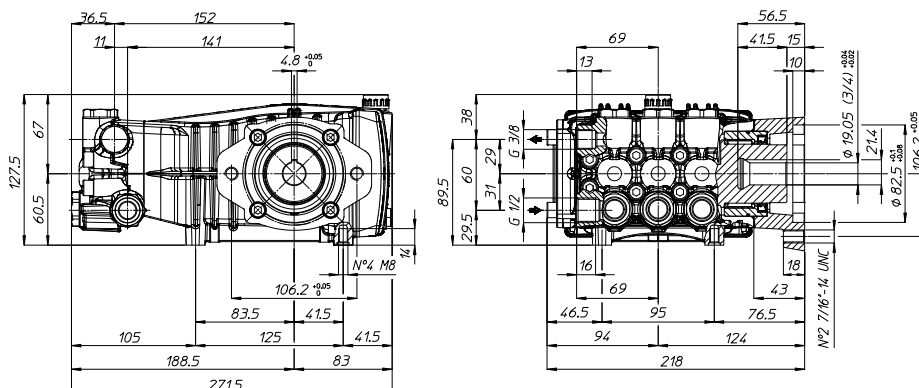
Upon request, all models of B MI pumps series are available with ATEX certification.

| RPM | CODICE CODE | MODELLO MODEL | PORTATA FLOW | | PRESSIONE PRESSURE | | POTENZA POWER | | PESO WEIGHT Kg | PRESA DI FORZA SHAFT TYPE |
|------|-------------|---------------|--------------|-----|--------------------|------|---------------|-----|----------------|-----------------------------|
| | | | l/min | GPM | bar | PSI | HP | kW | | |
| 1450 | 428500 | BC 15/20 T MI | 15.0 | 4.0 | 200 | 2900 | 7.7 | 5.7 | 10.0 | T - Albero CAVO 3/4" DX |
| | 428600 | BC 21/20 T MI | 21.0 | 5.5 | 200 | 2900 | 10.8 | 8.1 | 10.0 | T - HOLLOW Shaft 3/4" RIGHT |

Tutti i modelli di POMPE sono disponibili con Presa di Forza Sinistra (L). Esempio : BC 15/20 T MI-L

All models of PUMPS are available with Left P.T.O. Shaf (L). Example : BC 15/20 T MI-L

Dimensioni d'ingombro (mm) - Overall Dimensions (mm)





Tutti i modelli di Pompe della Serie BK sono disponibili con certificazione ATEX, su richiesta.

Upon request, all models of BK pumps series are available with ATEX certification.

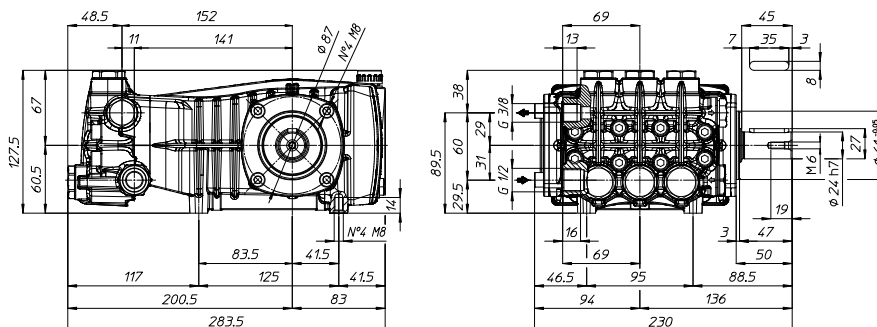


| RPM | CODICE CODE | MODELLO MODEL | PORTATA FLOW | | PRESSIONE PRESSURE | | POTENZA POWER | | PESO WEIGHT | PRESA DI FORZA SHAFT TYPE |
|------|-------------|---------------|--------------|-----|--------------------|------|---------------|------|-------------|---|
| | | | l/min | GPM | bar | PSI | HP | kW | | |
| 1450 | 905500 | BKC 13/30 S | 13.0 | 3.4 | 300 | 4350 | 10.0 | 7.5 | 10.5 | S - Albero MASCHIO 24 mm DX S - MALE Shaft 24 mm RIGHT |
| | 906000 | BKC 15/25 S | 15.0 | 4.0 | 250 | 3625 | 9.6 | 7.2 | 10.5 | |
| | 905900 | BKC 15/30 S | 15.0 | 4.0 | 300 | 4350 | 11.5 | 8.6 | 10.5 | |
| | 906200 | BKC 18/25 S | 18.5 | 4.9 | 250 | 3625 | 11.9 | 8.9 | 10.5 | |
| | 906400 | BKC 21/25 S | 21.0 | 5.5 | 250 | 3625 | 13.4 | 10.0 | 10.5 | |
| 1750 | 425200 | BKD 4.0/44 S | 15.0 | 4.0 | 300 | 4350 | 11.5 | 8.6 | 10.5 | |
| | 909800 | BKD 5.0/36 S | 18.2 | 4.8 | 250 | 3650 | 11.7 | 8.7 | 10.5 | |

Tutti i modelli di POMPE sono disponibili con Presa di Forza Sinistra (L). Esempio : BKC 13/30 S-L

All models of PUMPS are available with Left P.T.O. Shaft (L). Example : BKC 13/30 S-L

Dimensioni d'ingombro (mm) - Overall Dimensions (mm)

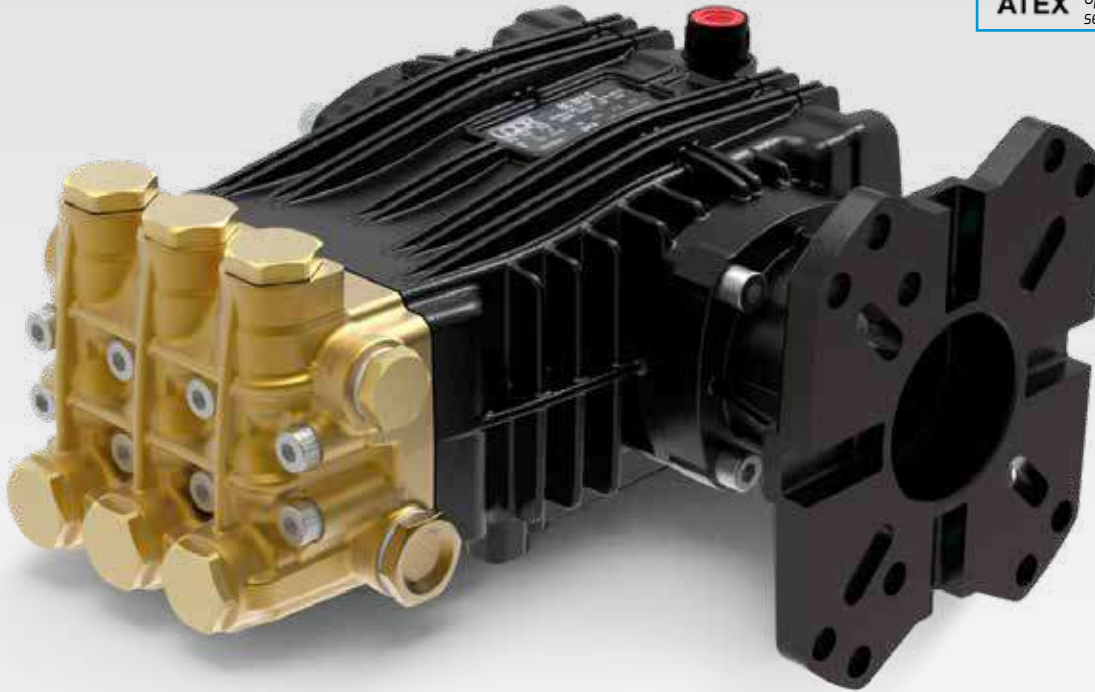


BK



Tutti i modelli di Pompe della Serie BK sono disponibili con certificazione ATEX, su richiesta.

Upon request, all models of BK pumps series are available with ATEX certification.

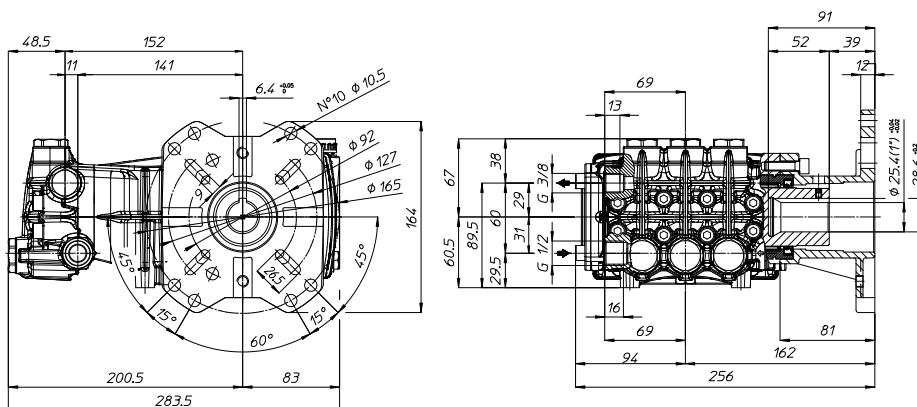


| RPM | CODICE CODE | MODELLO MODEL | PORTATA FLOW | | PRESSIONE PRESSURE | | POTENZA POWER | | PESO WEIGHT | PRESA DI FORZA SHAFT TYPE |
|------|-------------|---------------|--------------|-----|--------------------|------|---------------|-----|-------------|--|
| | | | l/min | GPM | bar | PSI | HP | kW | | |
| 3400 | 907000 | BKL 4.0/36 W | 15.0 | 4.0 | 250 | 3625 | 9.6 | 7.2 | 11.4 | W - Albero CAVO 1" DX W - HOLLOW Shaft 1" RIGHT |
| | 907100 | BKL 4.0/44 W | 15.0 | 4.0 | 300 | 4350 | 11.5 | 8.6 | 11.4 | |
| | 907500 | BKL 5.0/36 W | 19.0 | 5.0 | 250 | 3625 | 12.2 | 9.1 | 11.4 | |

Tutti i modelli di POMPE sono disponibili con Presa di Forza Sinistra (L). Esempio : BKL 4.0/36 W-L

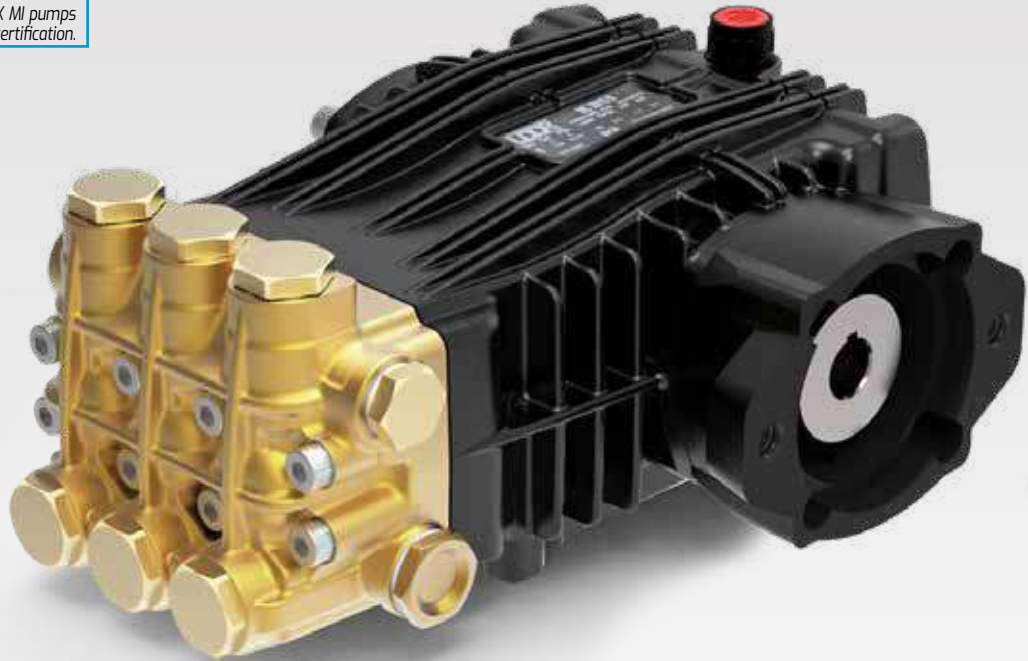
All models of PUMPS are available with Left P.T.O. Shaft (L). Example : BKL 4.0/36 W-L

Dimensioni d'ingombro (mm) - Overall Dimensions (mm)





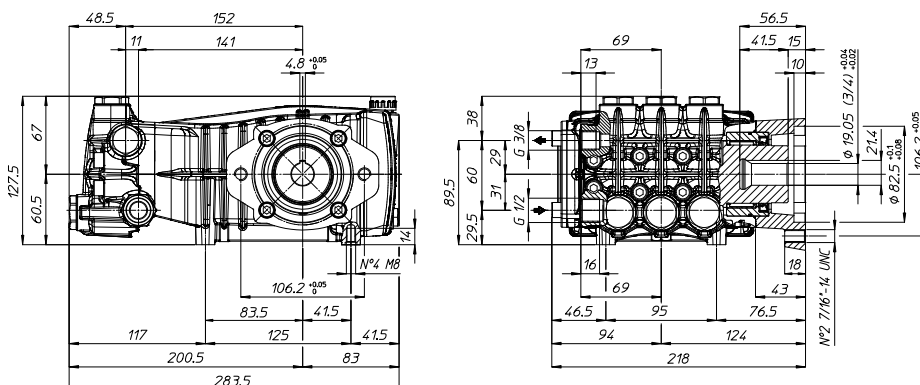
Tutti i modelli di Pompe della Serie BK MI sono disponibili con certificazione ATEX, su richiesta.
Upon request, all models of BK MI pumps series are available with ATEX certification.



| RPM | CODICE CODE | MODELLO MODEL | PORTATA FLOW | | PRESSIONE PRESSURE | | POTENZA POWER | | PESO WEIGHT | PRESA DI FORZA SHAFT TYPE |
|------|-------------|----------------|--------------|-----|--------------------|------|---------------|------|-------------|-----------------------------|
| | | | l/min | GPM | bar | PSI | HP | kW | | |
| 1450 | 429800 | BKC 15/30 T MI | 15.0 | 4.0 | 300 | 4350 | 11.5 | 8.6 | 10.9 | T - Albero CAVO 3/4" DX |
| | 429900 | BKC 21/25 T MI | 21.0 | 5.5 | 250 | 3625 | 13.4 | 10.0 | 10.9 | T - HOLLOW Shaft 3/4" RIGHT |

Tutti i modelli di POMPE sono disponibili con Presa di Forza Sinistra (L). Esempio : BKC 15/30 T MI-L
All models of PUMPS are available with Left P.T.O. Shaft (L). Example : BKC 15/30 T MI-L

Dimensioni d'ingombro (mm) - Overall Dimensions (mm)



C



Tutti i modelli di Pompe della Serie C sono disponibili con certificazione ATEX, su richiesta.

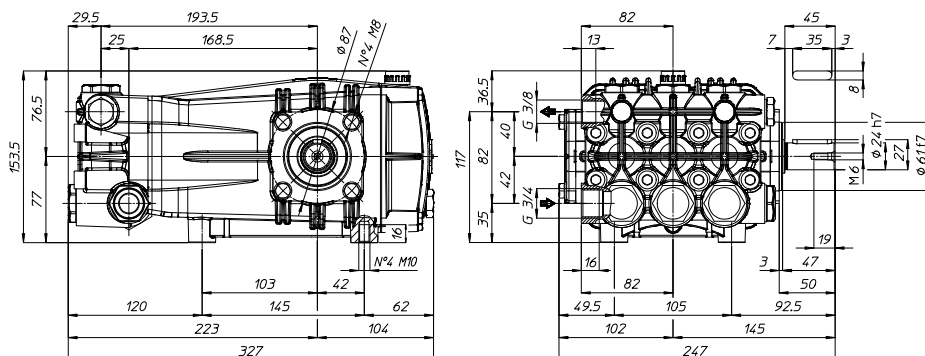
Upon request, all models of C pumps series are available with ATEX certification.

| RPM | CODICE CODE | MODELLO MODEL | PORTATA FLOW | | PRESSIONE PRESSURE | | POTENZA POWER | | PESO WEIGHT | PRESA DI FORZA SHAFT TYPE |
|------|-------------|---------------|--------------|-----|--------------------|------|---------------|------|-------------|---|
| | | | l/min | GPM | bar | PSI | HP | kW | | |
| 1000 | 900100 | CB 21/20 S | 21.0 | 5.5 | 200 | 2900 | 10.8 | 8.1 | 15.8 | S - Albero MASCHIO 24 mm DX S - MALE Shaft 24 mm RIGHT |
| | 901200 | CC 21/20 S | 21.0 | 5.5 | 200 | 2900 | 10.8 | 8.1 | 15.8 | |
| 1450 | 901500 | CC 26/20 S | 26.0 | 6.9 | 200 | 2900 | 13.3 | 9.9 | 15.8 | |
| | 900000 | CC 30/20 S | 30.0 | 7.9 | 200 | 2900 | 15.4 | 11.5 | 15.8 | |
| | 900800 | CC 34/20 S | 34.0 | 9.0 | 200 | 2900 | 17.4 | 13.0 | 15.8 | |
| 1750 | 902100 | CD 5.5/30 S | 20.8 | 5.5 | 200 | 2900 | 10.7 | 8.0 | 15.8 | |
| | 901300 | CD 7.0/30 S | 26.5 | 7.0 | 200 | 2900 | 13.6 | 10.1 | 15.8 | |
| | 902200 | CD 7.5/30 S | 28.0 | 7.4 | 200 | 2900 | 14.4 | 10.7 | 15.8 | |
| | 901700 | CD 8.5/30 S | 32.2 | 8.5 | 200 | 2900 | 16.5 | 12.3 | 15.8 | |

Tutti i modelli di POMPE sono disponibili con Presa di Forza Sinistra (L). Esempio: CB 21/20 S-L

All models of PUMPS are available with Left P.T.O. Shaft (L). Example: CB 21/20 S-L

Dimensioni d'ingombro (mm) - Overall Dimensions (mm)





Tutti i modelli di Pompe della Serie C sono disponibili con certificazione ATEX, su richiesta.

Upon request, all models of C pumps series are available with ATEX certification.

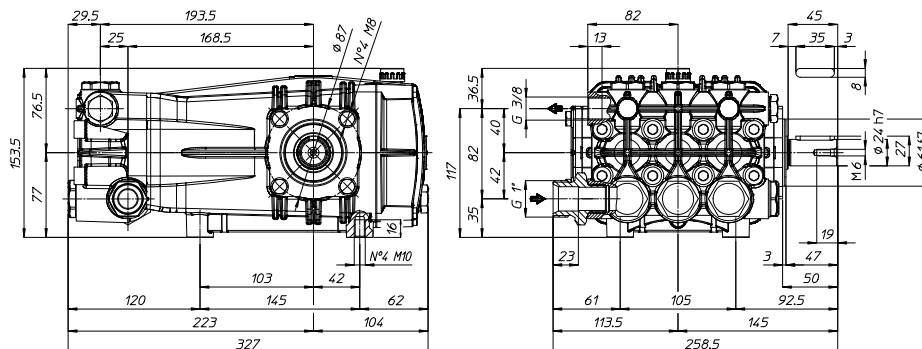


| RPM | CODICE CODE | MODELLO MODEL | PORTATA FLOW | | PRESSIONE PRESSURE | | POTENZA POWER | | PESO WEIGHT | PRESA DI FORZA SHAFT TYPE |
|------|-------------|---------------|--------------|------|--------------------|------|---------------|------|-------------|---|
| | | | l/min | GPM | bar | PSI | HP | kW | | |
| 1750 | 902300 | CD 9.5/30 S | 36.0 | 9.5 | 200 | 2900 | 18.5 | 13.8 | 16.0 | S - Albero MASCHIO 24 mm DX S - MALE Shaft 24 mm RIGHT |
| | 900600 | CD 11.0/25 S | 41.5 | 11.0 | 170 | 2465 | 18.1 | 13.5 | 16.0 | |
| | 900700 | CD 12.0/22 S | 45.5 | 12.0 | 150 | 2175 | 17.5 | 13.1 | 16.0 | |

Tutti i modelli di POMPE sono disponibili con Presa di Forza Sinistra (L). Esempio : CD 9.5/30 S-L

All models of PUMPS are available with Left P.T.O. Shaft (L). Example : CD 9.5/30 S-L

Dimensioni d'ingombro (mm) - Overall Dimensions (mm)



C



Tutti i modelli di Pompe della Serie C sono disponibili con certificazione ATEX, su richiesta.

Upon request, all models of C pumps series are available with ATEX certification.

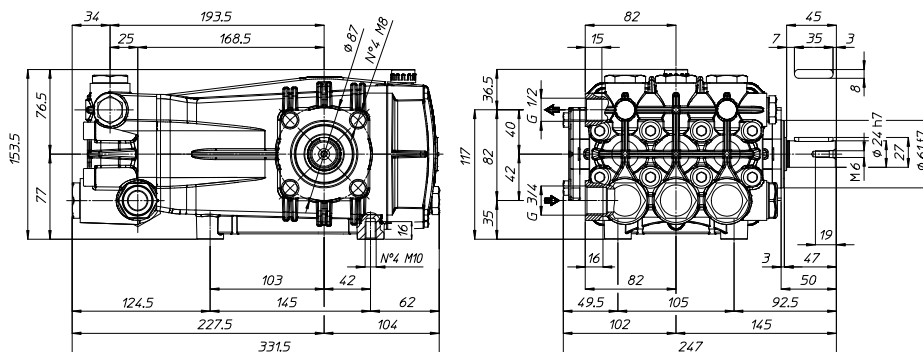


| RPM | CODICE CODE | MODELLO MODEL | PORTATA FLOW | | PRESSIONE PRESSURE | | POTENZA POWER | | PESO WEIGHT | PRESA DI FORZA SHAFT TYPE |
|------|----------------|------------------|-----------------|------|-----------------------|------|------------------|------|----------------|---|
| | | | l/min | GPM | bar | PSI | HP | kW | | |
| 1000 | 902400 | CB 26/20 S | 26.0 | 6.9 | 200 | 2900 | 13.3 | 9.9 | 15.6 | S - Albero MASCHIO 24 mm DX S - MALE Shaft 24 mm RIGHT |
| | 902700 | CB 30/20 S | 30.0 | 7.9 | 200 | 2900 | 15.4 | 11.5 | 15.6 | |
| | 903100 | CB 34/20 S | 34.0 | 9.0 | 200 | 2900 | 17.4 | 13.0 | 15.6 | |
| 1450 | 902600 | CC 38/17 S | 38.0 | 10.0 | 170 | 2465 | 16.6 | 12.4 | 15.6 | |

Tutti i modelli di POMPE sono disponibili con Presa di Forza Sinistra (L). Esempio : CB 26/20 S-L

All models of PUMPS are available with Left P.T.O. Shaft (L). Example: CB 26/20 S-L

Dimensioni d'ingombro (mm) - Overall Dimensions (mm)





C



Tutti i modelli di Pompe della Serie C sono disponibili con certificazione ATEX, su richiesta.

Upon request, all models of C pumps series are available with ATEX certification.



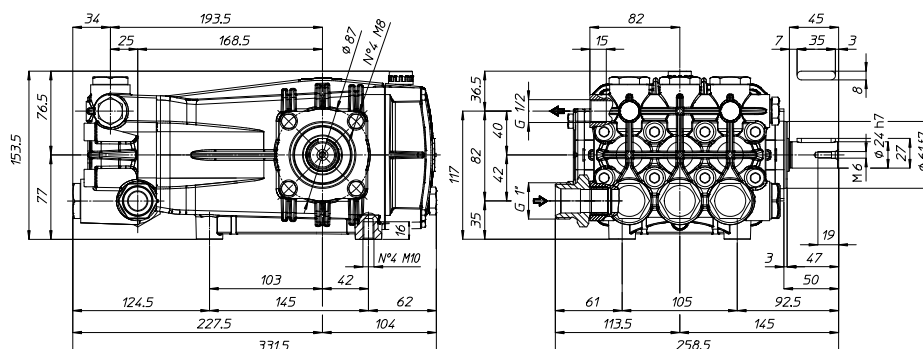
| RPM | CODICE CODE | MODELLO MODEL | PORTATA FLOW | | PRESSIONE PRESSURE | | POTENZA POWER | | PESO WEIGHT | PRESA DI FORZA SHAFT TYPE |
|------|-------------|---------------|--------------|------|--------------------|------|---------------|------|-------------|-----------------------------|
| | | | l/min | GPM | bar | PSI | HP | kW | | |
| 1450 | 902900 | CC 42/17 S | 44.0 | 11.6 | 170 | 2465 | 19.2 | 14.3 | 15.8 | S - Albero MASCHIO 24 mm DX |
| | 903400 | ● CC 50/15 S | 50.0 | 13.2 | 150 | 2175 | 19.2 | 14.3 | 15.8 | S - MALE Shaft 24 mm RIGHT |

- Minimo 0.1 bar (145 PSI) di Pressione in Entrata / Min. 0.1 bar (145 PSI) Inlet Pressure

Tutti i modelli di POMPE sono disponibili con Presa di Forza Sinistra (L). Esempio : CC 42/17 S-L

All models of PUMPS are available with Left P.T.O. Shaft (L). Example : CC 42/17 S-L

Dimensioni d'ingombro (mm) - Overall Dimensions (mm)



C



Tutti i modelli di Pompe della Serie C sono disponibili con certificazione ATEX, su richiesta.

Upon request, all models of C pumps series are available with ATEX certification.



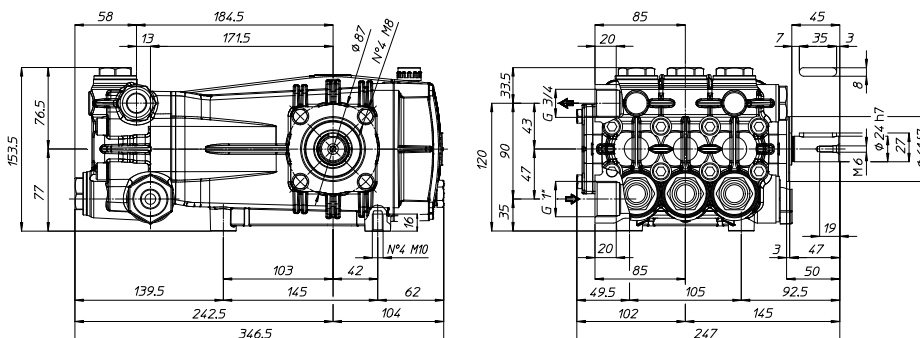
| RPM | CODICE CODE | MODELLO MODEL | PORTATA FLOW | | PRESSIONE PRESSURE | | POTENZA POWER | | PESO WEIGHT | PRESA DI FORZA SHAFT TYPE |
|------|-------------|----------------|--------------|------|--------------------|------|---------------|------|-------------|---|
| | | | l/min | GPM | bar | PSI | HP | kW | | |
| 1000 | 297400 | • CB 50/15 S | 50.0 | 13.2 | 150 | 2175 | 19.2 | 14.3 | 17.5 | S - Albero MASCHIO 24 mm DX S - MALE Shaft 24 mm RIGHT |
| 1450 | 296900 | • CC 70/15 S | 70.0 | 18.5 | 150 | 2175 | 26.9 | 20.1 | 17.5 | |
| 1750 | 298200 | • CD 18.5/22 S | 70.0 | 18.5 | 150 | 2175 | 26.9 | 20.1 | 17.5 | |

- Minimo 0.1 bar (145 PSI) di Pressione in Entrata / Min. 0.1 bar (145 PSI) Inlet Pressure

Tutti i modelli di POMPE sono disponibili con Presa di Forza Sinistra (L). Esempio: CB 50/15 S-L

All models of PUMPS are available with Left P.T.O. Shaft (L). Example: CB 50/15 S-L

Dimensioni d'ingombro (mm) - Overall Dimensions (mm)





C MI



Tutti i modelli di Pompe della Serie C MI sono disponibili con certificazione ATEX, su richiesta.

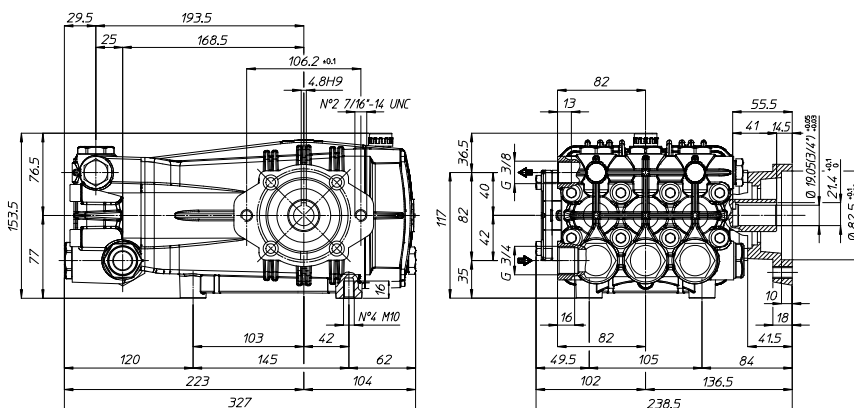
Upon request, all models of C MI pumps series are available with ATEX certification.



| RPM | CODICE CODE | MODELLO MODEL | PORTATA FLOW | | PRESSIONE PRESSURE | | POTENZA POWER | | PESO WEIGHT | PRESA DI FORZA SHAFT TYPE |
|------|-------------|---------------|--------------|-----|--------------------|------|---------------|------|-------------|--|
| | | | l/min | GPM | bar | PSI | HP | kW | | |
| 1450 | 904200 | CC 30/20 T MI | 30.0 | 7.9 | 200 | 2900 | 15.4 | 11.5 | 15.9 | T - Albero CAVO 3/4" DX T - HOLLOW Shaft 3/4" RIGHT |

Tutti i modelli di POMPE sono disponibili con Presa di Forza Sinistra (L). Esempio : CC 30/20 T MI-L
All models of PUMPS are available with Left P.T.O. Shaft (L). Example : CC 30/20 T MI-L

Dimensioni d'ingombro (mm) - Overall Dimensions (mm)



C MI



Tutti i modelli di Pompe della Serie C MI sono disponibili con certificazione ATEX, su richiesta.

Upon request, all models of C MI pumps series are available with ATEX certification.

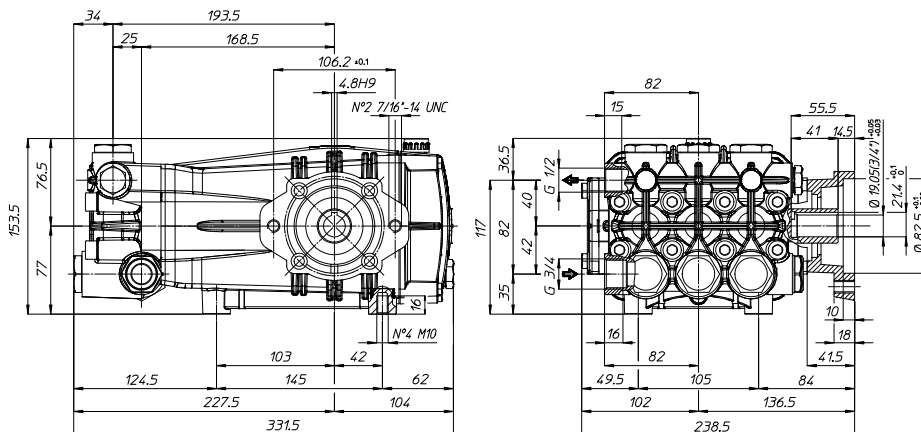


| RPM | CODICE CODE | MODELLO MODEL | PORTATA FLOW | | PRESSIONE PRESSURE | | POTENZA POWER | | PESO WEIGHT | PRESA DI FORZA SHAFT TYPE |
|------|-------------|---------------|--------------|------|--------------------|------|---------------|------|-------------|--|
| | | | l/min | GPM | bar | PSI | HP | kW | | |
| 1450 | 299200 | CC 38/17 T MI | 38.0 | 10.0 | 170 | 2465 | 16.6 | 12.4 | 15.9 | T - Albero CAVO 3/4" DX T - HOLLOW Shaft 3/4" RIGHT |

Tutti i modelli di POMPE sono disponibili con Presa di Forza Sinistra (L). Esempio: CC 38/17 T MI-L

All models of PUMPS are available with Left P.T.O. Shaft (L). Example: CC 38/17 T MI-L

Dimensioni d'ingombro (mm) - Overall Dimensions (mm)





Tutti i modelli di Pompe della Serie CK sono disponibili con certificazione ATEX, su richiesta.

Upon request, all models of CK pumps series are available with ATEX certification.

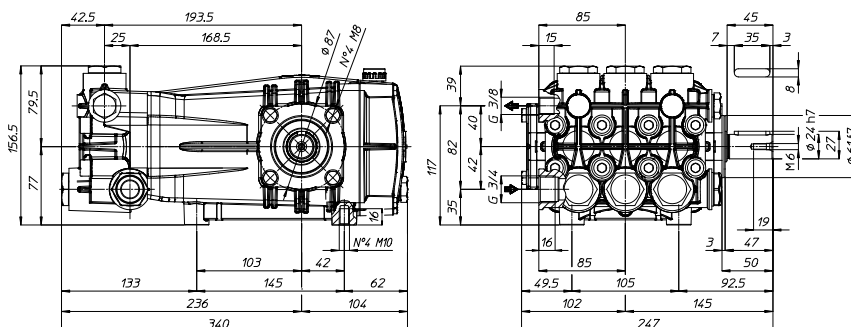


| RPM | CODICE CODE | MODELLO MODEL | PORTATA FLOW | | PRESSIONE PRESSURE | | POTENZA POWER | | PESO WEIGHT | PRESA DI FORZA SHAFT TYPE |
|------|-------------|---------------|--------------|-----|--------------------|------|---------------|------|-------------|---|
| | | | l/min | GPM | bar | PSI | HP | kW | | |
| 1450 | 294000 | CKC 17/36 S | 17.0 | 4.5 | 350 | 5075 | 15.3 | 11.4 | 18.6 | S - Albero MASCHIO 24 mm DX S - MALE Shaft 24 mm RIGHT |
| | 294200 | CKC 21/36 S | 21.0 | 5.5 | 350 | 5075 | 18.8 | 14.0 | 18.6 | |
| 1750 | 294700 | CKD 3.5/51 S | 13.4 | 3.5 | 350 | 5075 | 12.0 | 9.0 | 18.6 | |
| | 294600 | CKD 4.5/51 S | 17.0 | 4.5 | 350 | 5075 | 15.3 | 11.4 | 18.6 | |
| | 740015 | CKD 5.5/51 S | 20.8 | 5.5 | 350 | 5075 | 18.6 | 13.9 | 18.6 | |
| | 294400 | CKD 6.0/51 S | 22.7 | 6.0 | 350 | 5075 | 20.4 | 15.2 | 18.6 | |

Tutti i modelli di POMPE sono disponibili con Presa di Forza Sinistra (L). Esempio : CKC 17/36 S-L

All models of PUMPS are available with Left P.T.O. Shaft (L). Example : CKC 17/36 S-L

Dimensioni d'ingombro (mm) - Overall Dimensions (mm)



CK



Tutti i modelli di Pompe della Serie CK sono disponibili con certificazione ATEX, su richiesta.

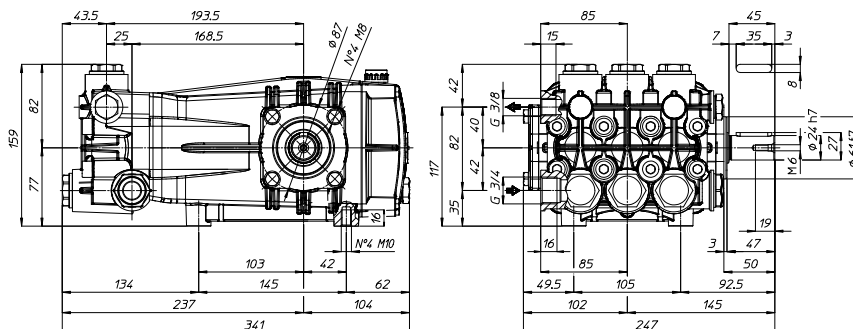
Upon request, all models of CK pumps series are available with ATEX certification.

| RPM | CODICE CODE | MODELLO MODEL | PORTATA FLOW | | PRESSIONE PRESSURE | | POTENZA POWER | | PESO WEIGHT | PRESA DI FORZA SHAFT TYPE |
|------|-------------|---------------|--------------|------|--------------------|------|---------------|------|-------------|---|
| | | | l/min | GPM | bar | PSI | HP | kW | | |
| 1450 | 291600 | CKC 17/30 S | 17.0 | 4.5 | 300 | 4350 | 13.1 | 9.8 | 18.2 | S - Albero MASCHIO 24 mm DX S - MALE Shaft 24 mm RIGHT |
| | 290000 | CKC 21/30 S | 21.0 | 5.5 | 300 | 4350 | 16.2 | 12.1 | 18.2 | |
| | 292100 | CKC 26/30 S | 26.0 | 6.9 | 300 | 4350 | 20.0 | 14.9 | 18.2 | |
| | 292400 | CKC 30/30 S | 30.0 | 7.9 | 300 | 4350 | 23.1 | 17.2 | 18.2 | |
| | 292600 | CKC 34/25 S | 34.0 | 9.0 | 250 | 3625 | 21.8 | 16.3 | 18.2 | |
| 1750 | 291800 | CKD 5.5/44 S | 20.8 | 5.5 | 300 | 4350 | 16.0 | 11.9 | 18.2 | |
| | 291900 | CKD 7.5/44 S | 28.4 | 7.5 | 300 | 4350 | 21.8 | 16.3 | 18.2 | |
| | 295500 | CKD 8.5/40 S | 32.2 | 8.5 | 280 | 4060 | 23.1 | 17.3 | 18.2 | |
| | 295600 | CKD 9.5/36 S | 36.0 | 9.5 | 250 | 3625 | 23.0 | 17.2 | 18.2 | |
| | 295700 | CKD 11.0/32 S | 41.5 | 11.0 | 220 | 3190 | 23.5 | 17.5 | 18.2 | |

Tutti i modelli di POMPE sono disponibili con Presa di Forza Sinistra (L). Esempio: CKC 17/30 S-L

All models of PUMPS are available with Left P.T.O. Shaft (L). Example: CKC 17/30 S-L

Dimensioni d'ingombro (mm) - Overall Dimensions (mm)





Tutti i modelli di Pompe della Serie CK sono disponibili con certificazione ATEX, su richiesta.

Upon request, all models of CK pumps series are available with ATEX certification.

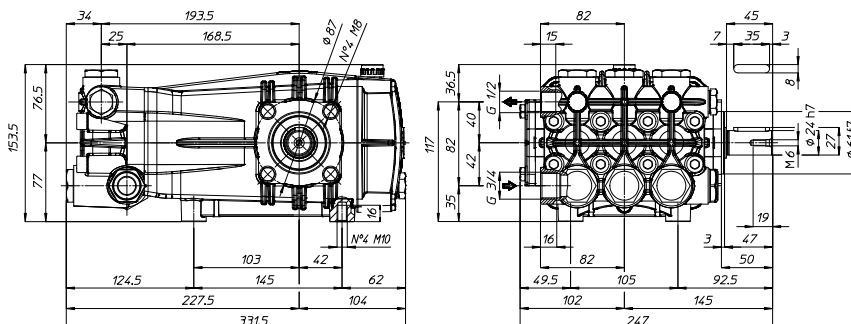


| RPM | CODICE CODE | MODELLO MODEL | PORTATA FLOW | | PRESSIONE PRESSURE | | POTENZA POWER | | PESO WEIGHT Kg | PRESA DI FORZA SHAFT TYPE |
|------|-------------|---------------|--------------|------|--------------------|------|---------------|------|----------------|---|
| | | | l/min | GPM | bar | PSI | HP | kW | | |
| 1450 | 292700 | CKC 38/20 S | 38.0 | 10.0 | 200 | 2900 | 19.5 | 14.5 | 17.4 | S - Albero MASCHIO 24 mm DX S - MALE Shaft 24 mm RIGHT |

Tutti i modelli di POMPE sono disponibili con Presa di Forza Sinistra (L). Esempio : CKC 38/20 S-L

All models of PUMPS are available with Left P.T.O. Shaft (L). Example : CKC 38/20 S-L

Dimensioni d'ingombro (mm) - Overall Dimensions (mm)



CK



Tutti i modelli di Pompe della Serie CK sono disponibili con certificazione ATEX, su richiesta.

Upon request, all models of CK pumps series are available with ATEX certification.

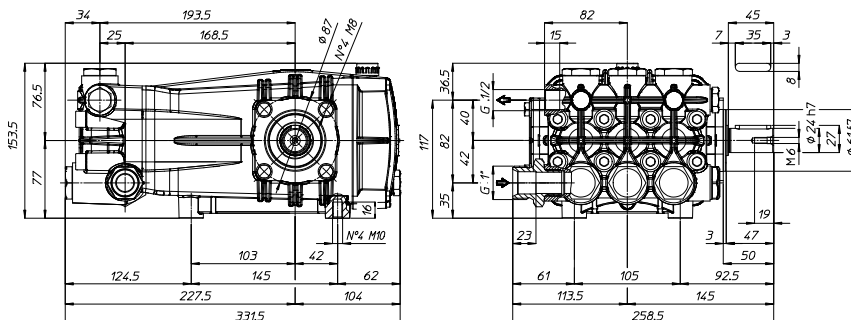
| RPM | CODICE CODE | MODELLO MODEL | PORTATA FLOW | | PRESSIONE PRESSURE | | POTENZA POWER | | PESO WEIGHT | PRESA DI FORZA SHAFT TYPE |
|------|-------------|---------------|--------------|------|--------------------|------|---------------|------|-------------|---|
| | | | l/min | GPM | bar | PSI | HP | kW | | |
| 1450 | 293000 | CKC 42/20 S | 44.0 | 11.6 | 200 | 2900 | 22.6 | 16.9 | 17.5 | S - Albero MASCHIO 24 mm DX S - MALE Shaft 24 mm RIGHT |
| | 293400 | • CKC 50/20 S | 50.0 | 13.2 | 200 | 2900 | 25.6 | 19.1 | 17.5 | |
| 1750 | 295800 | CKD 12.0/30 S | 45.5 | 12.0 | 200 | 2900 | 23.4 | 17.4 | 17.5 | |

- Minimo 0.1 bar (145 PSI) di Pressione in Entrata / Min. 0.1 bar (145 PSI) Inlet Pressure

Tutti i modelli di POMPE sono disponibili con Presa di Forza Sinistra (L). Esempio : CKC 42/20 S-L

All models of PUMPS are available with Left P.T.O. Shaft (L). Example: CKC 42/20 S-L

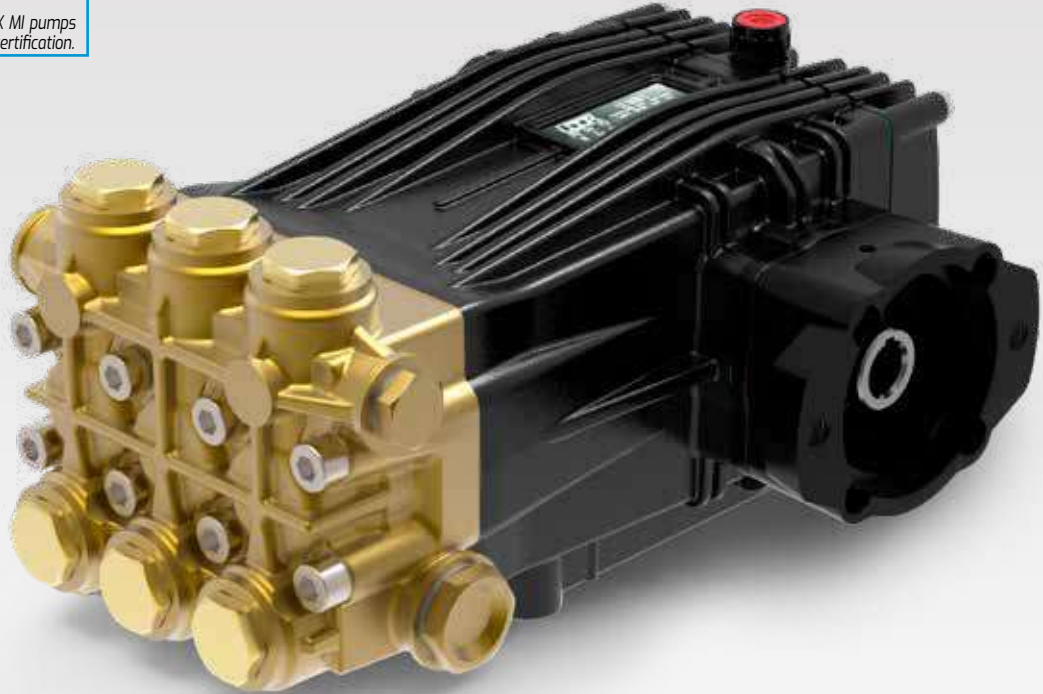
Dimensioni d'ingombro (mm) - Overall Dimensions (mm)





Tutti i modelli di Pompe della Serie CK MI sono disponibili con certificazione ATEX, su richiesta.

Upon request, all models of CK MI pumps series are available with ATEX certification.

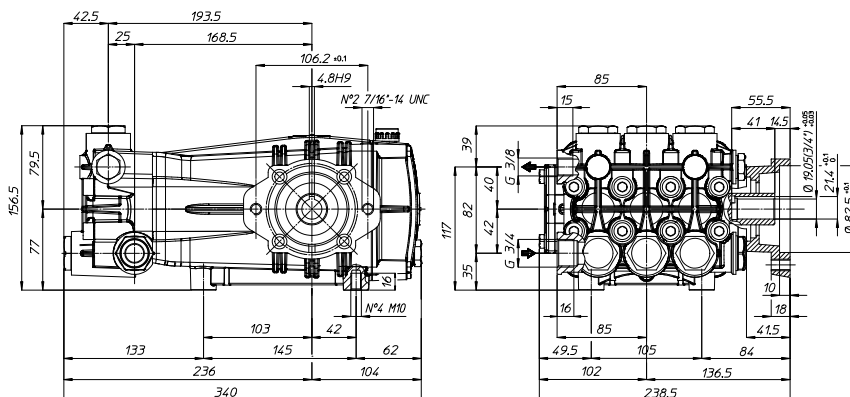


| RPM | CODICE CODE | MODELLO MODEL | PORTATA FLOW | | PRESSIONE PRESSURE | | POTENZA POWER | | PESO WEIGHT | PRESA DI FORZA SHAFT TYPE |
|------|-------------|-----------------|--------------|-----|--------------------|------|---------------|------|-------------|--|
| | | | l/min | GPM | bar | PSI | HP | kW | | |
| 1750 | 299300 | CKD 6.0/51 T MI | 22.7 | 6.0 | 350 | 5075 | 20.4 | 15.2 | 19.1 | T - Albero CAVO 3/4" DX T - HOLLOW Shaft 3/4" RIGHT |

Tutti i modelli di POMPE sono disponibili con Presa di Forza Sinistra (L). Esempio : CKD 6.0/51 T MI-L

All models of PUMPS are available with Left P.T.O. Shaft (L). Example : CKD 6.0/51 T MI-L

Dimensioni d'ingombro (mm) - Overall Dimensions (mm)



CK MI



Tutti i modelli di Pompe della Serie CK MI sono disponibili con certificazione ATEX, su richiesta.

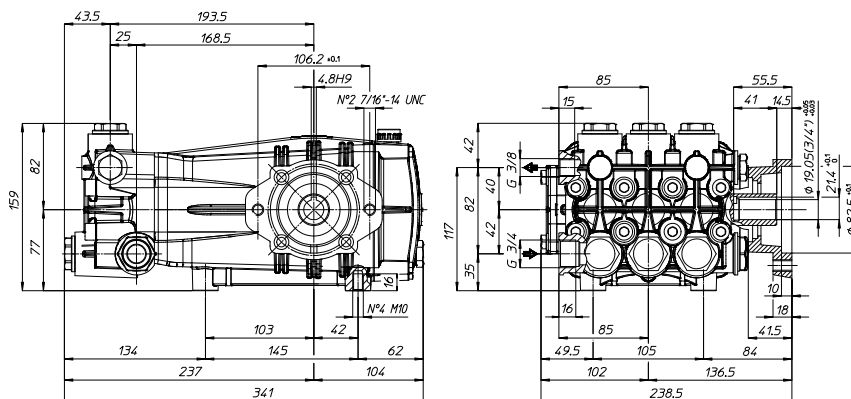
Upon request, all models of CK MI pumps series are available with ATEX certification.



| RPM | CODICE CODE | MODELLO MODEL | PORTATA FLOW | | PRESSIONE PRESSURE | | POTENZA POWER | | PESO WEIGHT | PRESA DI FORZA SHAFT TYPE |
|------|-------------|-----------------|--------------|-----|--------------------|------|---------------|------|-------------|-----------------------------|
| | | | l/min | GPM | bar | PSI | HP | kW | | |
| 1750 | 299400 | CKD 7.5/44 T MI | 28.4 | 7.5 | 300 | 4350 | 21.8 | 16.3 | 18.7 | T - Albero CAVO 3/4" DX |
| | 299500 | CKD 9.5/36 T MI | 36.0 | 9.5 | 250 | 3625 | 23.0 | 17.2 | 18.7 | T - HOLLOW Shaft 3/4" RIGHT |

Tutti i modelli di POMPE sono disponibili con Presa di Forza Sinistra (L). Esempio : CKD 7.5/44 T MI-L
All models of PUMPS are available with Left P.T.O. Shaft (L). Example : CKD 7.5/44 T MI-L

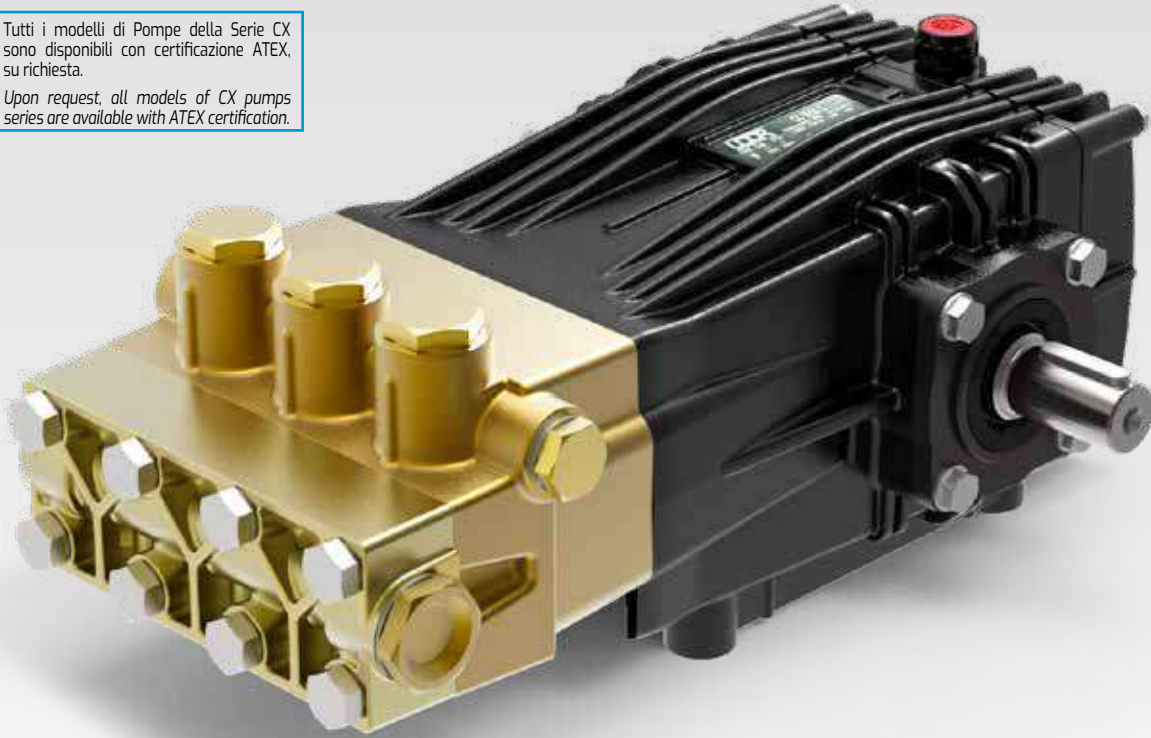
Dimensioni d'ingombro (mm) - Overall Dimensions (mm)





Tutti i modelli di Pompe della Serie CX sono disponibili con certificazione ATEX, su richiesta.

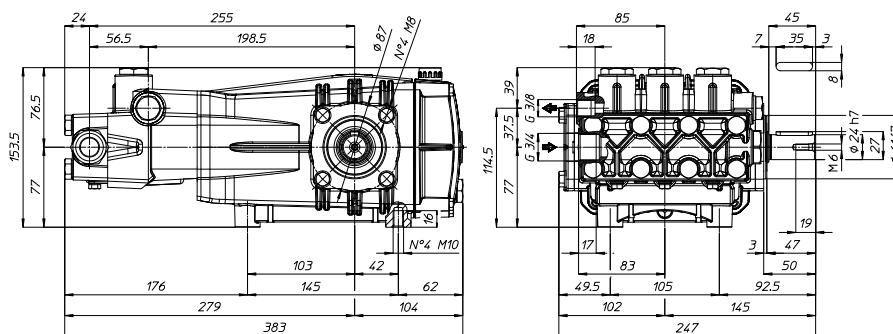
Upon request, all models of CX pumps series are available with ATEX certification.



| RPM | CODICE CODE | MODELLO MODEL | PORTATA FLOW | | PRESSIONE PRESSURE | | POTENZA POWER | | PESO WEIGHT | PRESA DI FORZA SHAFT TYPE |
|------|-------------|---------------|--------------|-----|--------------------|------|---------------|------|-------------|---|
| | | | l/min | GPM | bar | PSI | HP | kW | | |
| 1450 | 294800 | CXC 15/50 S | 15.0 | 4.0 | 500 | 7250 | 19.2 | 14.3 | 20.8 | S - Albero MASCHIO 24 mm DX S - MALE Shaft 24 mm RIGHT |
| | 294900 | CXC 18/50 S | 18.0 | 4.8 | 500 | 7250 | 23.1 | 17.2 | 20.8 | |
| | 295000 | CXC 22/50 S | 22.0 | 5.8 | 500 | 7250 | 28.2 | 21.0 | 20.8 | |
| 1750 | 298500 | CXD 4.5/75 S | 16.3 | 4.3 | 500 | 7250 | 20.9 | 15.6 | 20.8 | |
| | 298600 | CXD 5.0/75 S | 18.0 | 4.8 | 500 | 7250 | 23.1 | 17.2 | 20.8 | |
| | 298700 | CXD 6.0/75 S | 21.6 | 5.7 | 500 | 7250 | 27.7 | 20.6 | 20.8 | |

Tutti i modelli di POMPE sono disponibili con Presa di Forza Sinistra (L). Esempio : CXC 15/50 S-L
All models of PUMPS are available with Left P.T.O. Shaft (L). Example : CXC 15/50 S-L

Dimensioni d'ingombro (mm) - Overall Dimensions (mm)



CH



Tutti i modelli di Pompe della Serie CH sono disponibili con certificazione ATEX, su richiesta.

Upon request, all models of CH pumps series are available with ATEX certification.

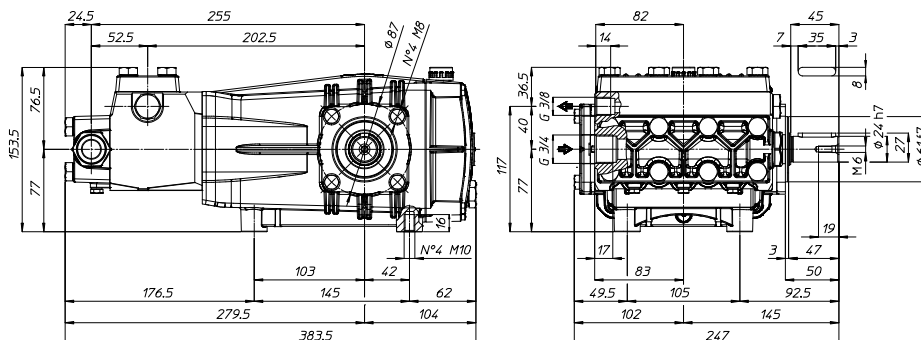


| RPM | CODICE CODE | MODELLO MODEL | PORTATA FLOW | | PRESSIONE PRESSURE | | POTENZA POWER | | PESO WEIGHT | PRESA DI FORZA SHAFT TYPE |
|------|-------------|---------------|--------------|-----|--------------------|------|---------------|------|-------------|---|
| | | | l/min | GPM | bar | PSI | HP | kW | | |
| 1450 | 291000 | CHC 12/50 S | 12.0 | 3.2 | 500 | 7250 | 15.4 | 11.5 | 21.3 | S - Albero MASCHIO 24 mm DX S - MALE Shaft 24 mm RIGHT |
| | 290200 | CHC 16/50 S | 16.0 | 4.2 | 500 | 7250 | 20.5 | 15.3 | 21.3 | |
| | 291300 | CHC 20/50 S | 20.0 | 5.3 | 500 | 7250 | 25.6 | 19.1 | 21.3 | |
| 1750 | 291200 | CHD 3.0/75 S | 11.5 | 3.0 | 500 | 7250 | 14.7 | 11.0 | 21.3 | |
| | 290400 | CHD 4.5/75 S | 16.0 | 4.2 | 500 | 7250 | 20.5 | 15.3 | 21.3 | |

Tutti i modelli di POMPE sono disponibili con Presa di Forza Sinistra (L). Esempio : CHC 12/50 S-L

All models of PUMPS are available with Left P.T.O. Shaft (L). For example : CHC 12/50 S-L

Dimensioni d'ingombro (mm) - Overall Dimensions (mm)

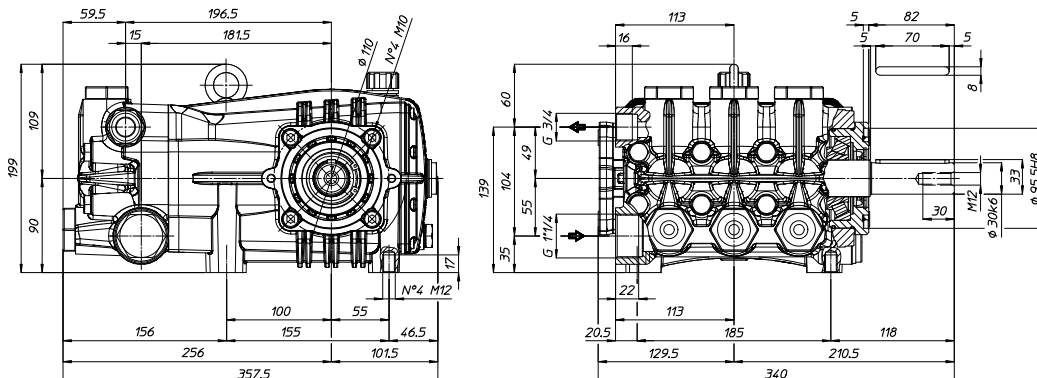




| RPM | CODICE CODE | MODELLO MODEL | PORTATA FLOW | | | | PRESSIONE PRESSURE | | POTENZA POWER | | PESO WEIGHT | PRESA DI FORZA SHAFT TYPE |
|------|-------------|----------------|--------------|------|-------|------|--------------------|------|---------------|------|-------------|---|
| | | | NOM. | | | | bar | PSI | HP | kW | | |
| | | | L/min | GPM | L/min | GPM | | | | | | |
| 1000 | 878000 | NK-B 25/350 R | 25.1 | 6.6 | 24.0 | 6.3 | 350 | 5075 | 21.5 | 16.0 | 30.5 | S - Albero MASCHIO 30 mm DX S - MALE Shaft 30 mm RIGHT |
| | 878200 | NK-B 32/350 R | 34.2 | 9.0 | 32.7 | 8.6 | 350 | 5075 | 29.3 | 21.9 | 30.5 | |
| | 877900 | NK-B 37/300 R | 38.8 | 10.2 | 37.0 | 9.8 | 300 | 4350 | 28.5 | 21.2 | 30.5 | |
| | 878500 | NK-B 42/250 R | 44.2 | 11.7 | 42.2 | 11.1 | 250 | 3625 | 27.0 | 20.2 | 30.5 | |
| | 878400 | NK-B 50/250 R | 50.1 | 13.2 | 47.8 | 12.6 | 250 | 3625 | 30.7 | 22.9 | 30.5 | |
| 1450 | 875900 | NK-C 35/350 R | 36.4 | 9.6 | 34.6 | 9.1 | 350 | 5075 | 31.0 | 23.1 | 30.5 | |
| | 876000 | NK-C 47/350 R | 49.6 | 13.1 | 47.1 | 12.5 | 350 | 5075 | 42.3 | 31.5 | 30.5 | |
| | 875100 | NK-C 55/300 R | 56.2 | 14.9 | 53.4 | 14.1 | 300 | 4350 | 41.1 | 30.5 | 30.5 | |
| | 876100 | NK-C 60/250 R | 64.1 | 16.1 | 60.9 | 16.1 | 250 | 3625 | 39.0 | 29.1 | 30.5 | |
| 1750 | 875200 | NK-C 70/250 R | 72.6 | 19.2 | 69.0 | 18.2 | 250 | 3625 | 44.2 | 33.0 | 30.5 | |
| | 878100 | NK-D 11.0/51 R | 43.9 | 11.6 | 41.5 | 11.0 | 350 | 5075 | 37.2 | 27.8 | 30.5 | |
| | 878300 | NK-D 15.0/44 R | 59.9 | 15.8 | 56.6 | 14.9 | 300 | 4350 | 43.5 | 32.5 | 30.5 | |
| | 750012 | NK-D 18.0/36 R | 69.6 | 18.4 | 65.0 | 17.2 | 250 | 3625 | 41.7 | 31.1 | 30.5 | |

Tutti i modelli di POMPE sono disponibili con Presa di Forza Sinistra (L). Esempio: NK-B 25/350 L

All models of PUMPS are available with Left P.T.O. Shaft (L). Example: NK-B 25/350 L



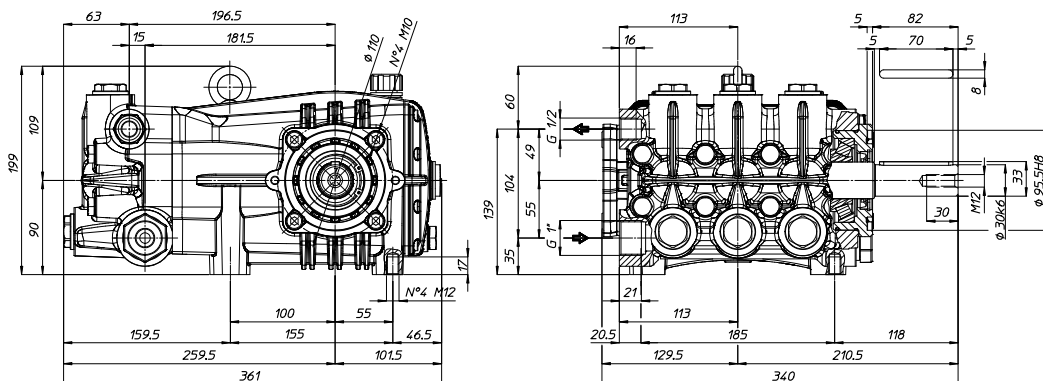


| RPM | CODICE CODE | MODELLO MODEL | PORTATA FLOW | | | | PRESSIONE PRESSURE | | POTENZA POWER | | PESO WEIGHT | PRESA DI FORZA SHAFT TYPE |
|------|-------------|----------------|--------------|------|-------|------|--------------------|------|---------------|------|-------------|---|
| | | | NOM. | | | | bar | PSI | HP | kW | | |
| | | | l/min | GPM | l/min | GPM | | | | | | |
| 1000 | 878800 | NK-B 52/170 R | 55.4 | 14.6 | 52.1 | 13.8 | 170 | 2465 | 22.7 | 16.9 | 30.5 | S - Albero MASCHIO 30 mm DX S - MALE Shaft 30 mm RIGHT |
| | 878600 | NK-B 60/170 R | 62.8 | 16.6 | 59.0 | 15.6 | 170 | 2465 | 25.7 | 19.2 | 30.5 | |
| | 879000 | NK-B 70/150 R | 72.1 | 19.0 | 69.2 | 18.3 | 150 | 2175 | 26.6 | 19.9 | 30.5 | |
| 1450 | 876200 | NK-C 75/170 R | 80.4 | 21.2 | 75.1 | 19.9 | 170 | 2465 | 32.8 | 24.4 | 30.5 | |
| | 875300 | NK-C 85/170 R | 91.1 | 24.1 | 87.0 | 23.0 | 170 | 2465 | 37.9 | 28.3 | 30.5 | |
| | 875400 | NK-C 100/150 R | 104.5 | 27.6 | 100.0 | 26.4 | 150 | 2175 | 38.4 | 28.6 | 30.5 | |
| 1750 | 878900 | NK-D 24.0/25 R | 97.0 | 25.6 | 90.2 | 23.8 | 170 | 2465 | 39.3 | 29.3 | 30.5 | |
| | 878700 | NK-D 27.0/25 R | 109.9 | 29.0 | 100.0 | 26.4 | 170 | 2465 | 43.6 | 32.5 | 30.5 | |

Tutti i modelli di POMPE sono disponibili con Presa di Forza Sinistra (L). Esempio: NK-B 52/170 L

All models of PUMPS are available with Left P.T.O. Shaft (L). Example: NK-B 52/170 L

Dimensioni d'ingombro (mm) - Overall Dimensions (mm)





NK

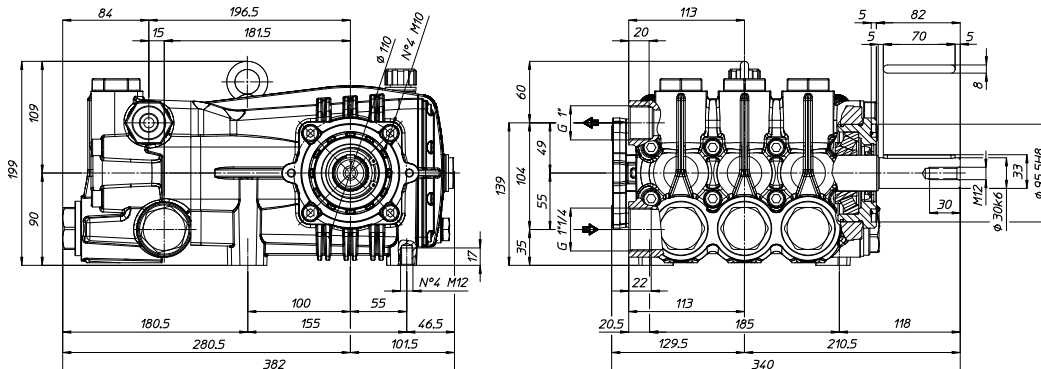


| RPM | CODICE CODE | MODELLO MODEL | PORTATA FLOW | | | | PRESSIONE PRESSURE | | POTENZA POWER | | PESO WEIGHT | PRESA DI FORZA SHAFT TYPE |
|------|-------------|----------------|--------------|------|-------|------|--------------------|------|---------------|------|-------------|---|
| | | | NOM. | | | | bar | PSI | HP | kW | | |
| | | | l/min | GPM | l/min | GPM | | | | | | |
| 1000 | 879100 | NK-B 100/100 R | 103.8 | 27.4 | 99.2 | 26.2 | 100 | 1450 | 25.4 | 19.0 | 30.5 | S - Albero MASCHIO 30 mm DX S - MALE Shaft 30 mm RIGHT |
| 1450 | 879400 | NK-C 130/130 R | 132.8 | 35.1 | 126.2 | 33.3 | 130 | 1885 | 42.1 | 31.4 | 30.5 | |
| | 875500 | NK-C 145/100 R | 150.5 | 39.8 | 143.0 | 37.8 | 100 | 1450 | 36.7 | 27.3 | 30.5 | |

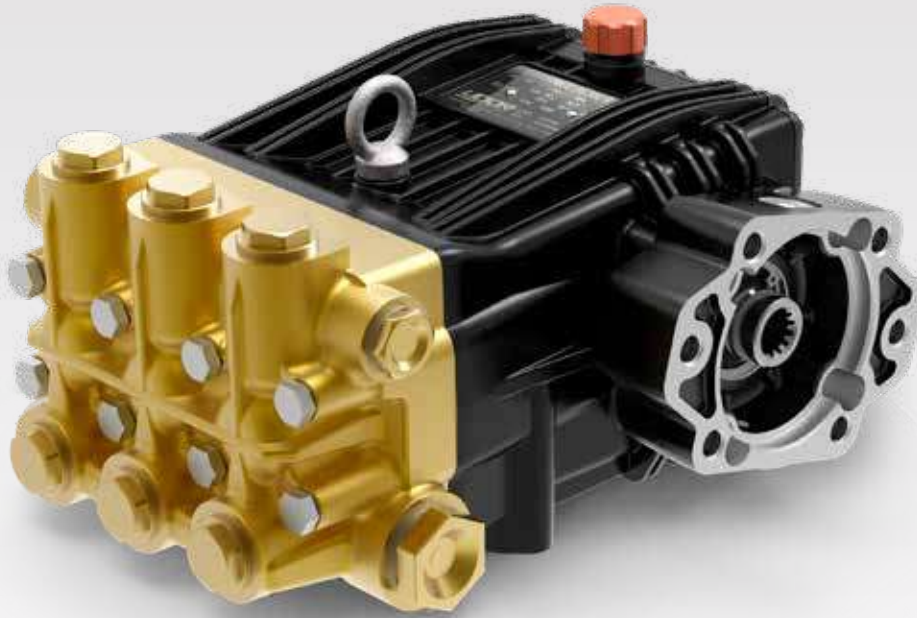
Tutti i modelli di POMPE sono disponibili con Presa di Forza Sinistra (L). Esempio : NK-B 100/100 L

All models of PUMPS are available with Left P.T.O. Shaft (L). Example : NK-B 100/100 L

Dimensioni d'ingombro (mm) - Overall Dimensions (mm)



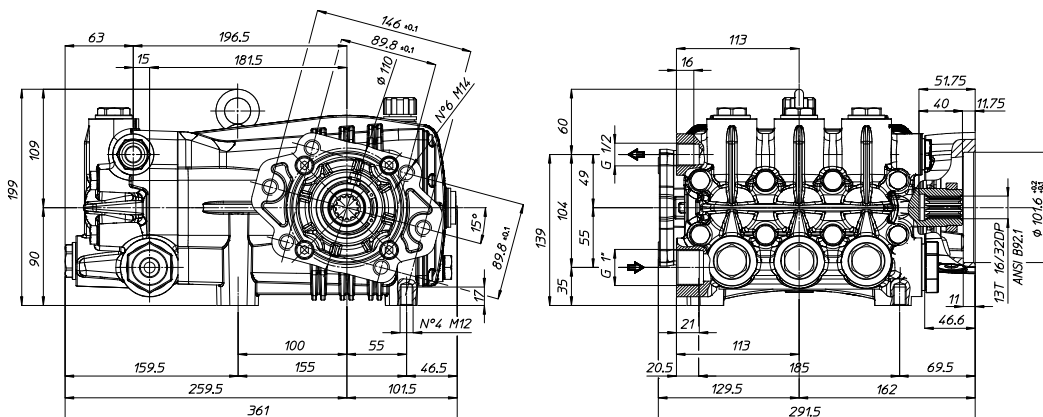
NK MI



| RPM | CODICE CODE | MODELLO MODEL | PORTATA FLOW | | | | PRESSIONE PRESSURE | | POTENZA POWER | | PESO WEIGHT | PRESA DI FORZA SHAFT TYPE |
|------|-------------|-------------------|--------------|------|-------|------|--------------------|------|---------------|------|-------------|--|
| | | | NOM. | | | | bar | PSI | HP | kW | | |
| | | | l/min | GPM | l/min | GPM | | | | | | |
| 1450 | 877800 | NK-C 47/350 R MI | 49.6 | 13.1 | 47.1 | 12.5 | 350 | 5075 | 42.3 | 31.5 | 31.0 | R MI - Albero 13T 16/32 DP - SAE B - DX R MI - Shaft 13T 16/32 DP - SAE B - RIGHT |
| | 320000 | NK-C 55/300 R MI | 56.2 | 14.9 | 53.4 | 14.1 | 300 | 4350 | 41.1 | 30.6 | 31.0 | |
| | 320100 | NK-C 60/250 R MI | 64.1 | 16.9 | 60.9 | 16.1 | 250 | 3625 | 39.0 | 29.1 | 31.0 | |
| | 320200 | NK-C 70/250 R MI | 72.6 | 19.2 | 69.0 | 18.2 | 250 | 3625 | 44.2 | 33.0 | 31.0 | |
| 1750 | 320400 | NK-D 15.0/44 R MI | 59.9 | 15.8 | 56.6 | 14.9 | 300 | 4350 | 43.5 | 32.5 | 31.0 | |

Tutti i modelli di POMPE sono disponibili con Presa di Forza Sinistra (L). Esempio: NK-C 47/350 L MI
All models of PUMPS are available with Left P.T.O. Shaft (L). Example: NK-C 47/350 L MI

Dimensioni d'ingombro (mm) - Overall Dimensions (mm)





NK MI



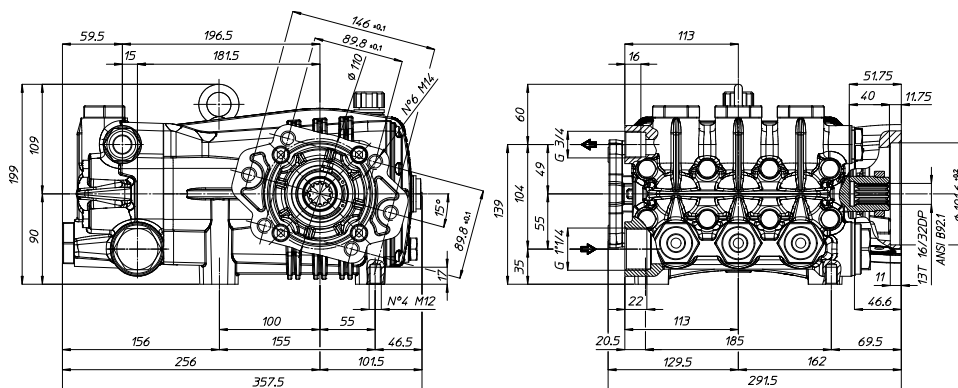
Cod. 605899 Sensore contagiri
Cod. 605899 Rev-counter sensor



| RPM | CODICE CODE | MODELLO MODEL | PORTATA FLOW | | | | PRESSIONE PRESSURE | | POTENZA POWER | | PESO WEIGHT | PRESA DI FORZA SHAFT TYPE |
|------|-------------|-------------------|--------------|------|-------|------|--------------------|------|---------------|------|-------------|--|
| | | | NOM. | | | | bar | PSI | HP | kW | | |
| | | | l/min | GPM | l/min | GPM | | | | | | |
| 1450 | 877400 | NK-C 75/170 R MI | 80.4 | 21.2 | 75.1 | 19.9 | 170 | 2465 | 32.8 | 24.4 | 31.0 | R MI - Albero 13T 16/32 DP - SAE B - DX R MI - Shaft 13T 16/32 DP - SAE B - RIGHT |
| | 877500 | NK-C 85/170 R MI | 91.1 | 24.1 | 87.0 | 23.0 | 170 | 2465 | 37.9 | 28.3 | 31.0 | |
| | 877600 | NK-C 100/150 R MI | 104.5 | 27.6 | 100.0 | 26.4 | 150 | 2175 | 38.4 | 28.6 | 31.0 | |
| 1750 | 320500 | NK-D 24.0/25 R MI | 97.0 | 25.6 | 90.2 | 23.8 | 170 | 2465 | 39.3 | 29.3 | 31.0 | |
| | 320600 | NK-D 27.0/25 R MI | 109.9 | 29.0 | 100.0 | 26.4 | 170 | 2465 | 43.6 | 32.5 | 31.0 | |

Tutti i modelli di POMPE sono disponibili con Presa di Forza Sinistra (L). Esempio: NK-C 75/170 L MI
All models of PUMPS are available with Left P.T.O. Shaft (L). Example: NK-C 75/170 L MI

Dimensioni d'ingombro (mm) - Overall Dimensions (mm)





NK 500



Cover disponibile su richiesta
Cover available on request

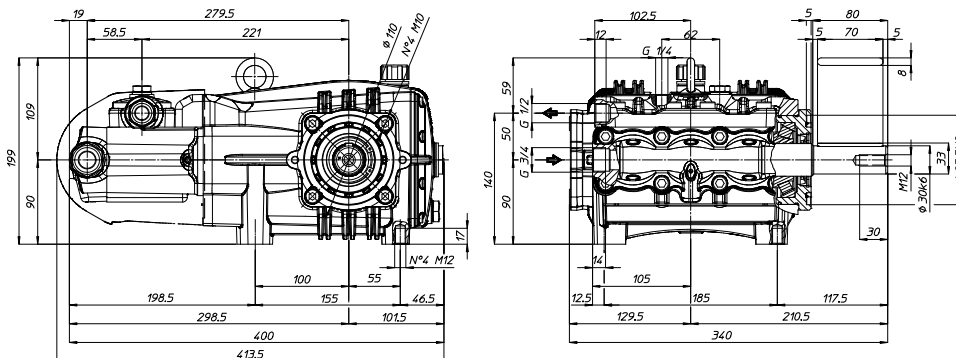


| RPM | CODICE CODE | MODELLO MODEL | PORTATA FLOW | | | | PRESSIONE PRESSURE | | POTENZA POWER | | PESO WEIGHT | PRESA DI FORZA SHAFT TYPE |
|------|-------------|---------------|--------------|-----|-------|-----|--------------------|------|---------------|------|-------------|---|
| | | | NOM. | | | | bar | PSI | HP | kW | | |
| | | | l/min | GPM | l/min | GPM | | | | | | |
| 1000 | 879200 | NK-B 18/500 R | 20.6 | 5.4 | 18.6 | 4.9 | 500 | 7250 | 23.8 | 17.7 | 30.5 | S - Albero MASCHIO 30 mm DX S - MALE Shaft 30 mm RIGHT |
| | 879300 | NK-B 21/500 R | 22.9 | 6.1 | 20.4 | 5.4 | 500 | 7250 | 26.1 | 19.5 | 30.5 | |
| 1450 | 817900 | NK-C 26/500 R | 29.9 | 7.9 | 26.4 | 7.0 | 500 | 7250 | 33.9 | 25.3 | 30.5 | |
| | 818000 | NK-C 30/500 R | 33.2 | 8.8 | 31.4 | 8.3 | 500 | 7250 | 40.3 | 30.0 | 30.5 | |
| 1750 | 750002 | NK-D 6.5/75 R | 29.4 | 7.8 | 25.0 | 6.6 | 500 | 7250 | 32.1 | 23.9 | 30.5 | |
| | 750001 | NK-D 8.0/75 R | 36.1 | 9.5 | 31.3 | 8.3 | 500 | 7250 | 40.1 | 29.9 | 30.5 | |

Tutti i modelli di POMPE sono disponibili con Presa di Forza Sinistra (L). Esempio : POMPA NK-B 18/500 L

All models of PUMPS are available with Left P.T.O. Shaft (L). Example : POMPA NK-B 18/500 L

Dimensioni d'ingombro (mm) - Overall Dimensions (mm)



NH 500

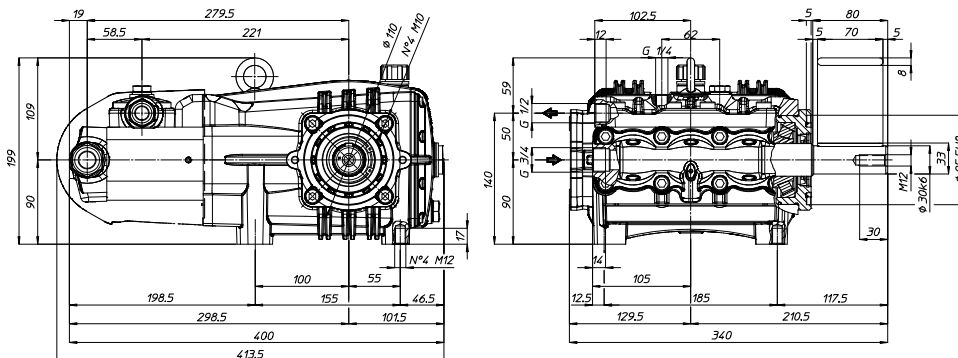


| RPM | CODICE CODE | MODELLO MODEL | PORTATA FLOW | | | | PRESSIONE PRESSURE | | POTENZA POWER | | PESO WEIGHT | PRESA DI FORZA SHAFT TYPE |
|------|-------------|---------------|--------------|-----|-------|-----|--------------------|------|---------------|------|-------------|---|
| | | | NOM. | | | | bar | PSI | HP | kW | | |
| | | | l/min | GPM | l/min | GPM | | | | | Kg | |
| 1000 | 750010 | NH-B 18/500 R | 20.6 | 5.4 | 18.6 | 4.9 | 500 | 7250 | 23.8 | 17.7 | 30.5 | R - Albero MASCHIO 30 mm DX R - MALE Shaft 30 mm RIGHT |
| | 750011 | NH-B 21/500 R | 22.9 | 6.1 | 20.4 | 5.4 | 500 | 7250 | 26.1 | 19.5 | 30.5 | |
| 1450 | 750003 | NH-C 26/500 R | 29.9 | 7.9 | 26.4 | 7.0 | 500 | 7250 | 33.9 | 25.3 | 30.5 | |
| | 750004 | NH-C 30/500 R | 33.2 | 8.8 | 31.4 | 8.3 | 500 | 7250 | 40.3 | 30.0 | 30.5 | |
| 1750 | 750006 | NH-D 6.5/75 R | 29.4 | 7.8 | 25.0 | 6.6 | 500 | 7250 | 32.1 | 23.9 | 30.5 | |
| | 750005 | NH-D 8.0/75 R | 36.1 | 9.5 | 31.3 | 8.3 | 500 | 7250 | 40.1 | 29.9 | 30.5 | |

Tutti i modelli di POMPE sono disponibili con Presa di Forza Sinistra (L). Esempio : POMPA NH-B 18/500 L

All models of PUMPS are available with Left P.T.O. Shaft (L). Example : POMPA NH-B 18/500 L

Dimensioni d'ingombro (mm) - Overall Dimensions (mm)



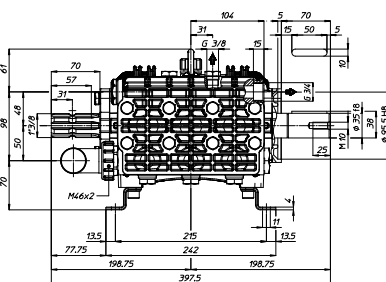
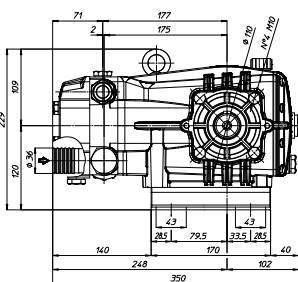


GAMMA 62

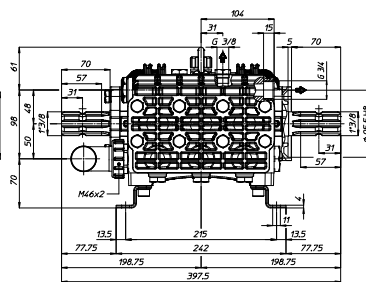


| RPM | CODICE CODE | MODELLO MODEL | PORTATA FLOW | | | | PRESSIONE PRESSURE | | POTENZA POWER | | PESO WEIGHT | PRESA DI FORZA SHAFT TYPE |
|-----|-------------|----------------|--------------|------|-------|------|--------------------|-----|---------------|-----|-------------|--|
| | | | NOM. | | | | bar | PSI | HP | kW | | |
| | | | l/min | GPM | l/min | GPM | | | | | Kg | |
| 600 | 837700 | GAMMA 62 TS 1C | 67.9 | 17.9 | 67.0 | 17.7 | 50 | 725 | 8.6 | 6.4 | 22.2 | TS 1C - 35 mm 1 3/8 Scanalato / Splined |
| | 837600 | GAMMA 62 TS 2C | 67.9 | 17.9 | 67.0 | 17.7 | 50 | 725 | 8.6 | 6.4 | 22.2 | TS 2C - 1 3/8 Scanalato / Splined 1 3/8 Scanalato / Splined |
| | 837800 | GAMMA 62 TS GR | 67.9 | 17.9 | 67.0 | 17.7 | 50 | 725 | 8.6 | 6.4 | 22.2 | TS GR - 35 mm Corto / Short 1 3/8 Scanalato / Splined |

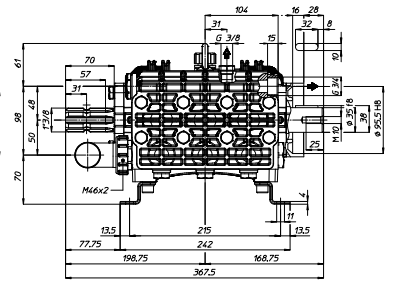
Dimensioni d'ingombro (mm) - Overall Dimensions (mm)



TS 1C



TS 2C



TS GR

GAMMA 3P



TS 1C

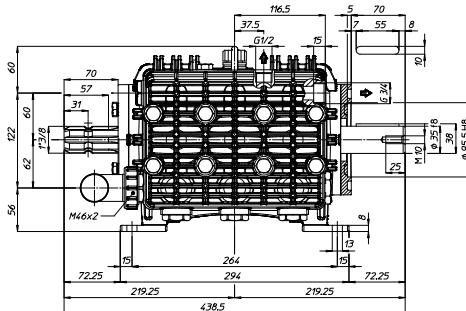
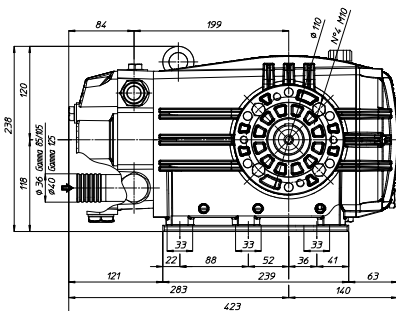


TS 2C

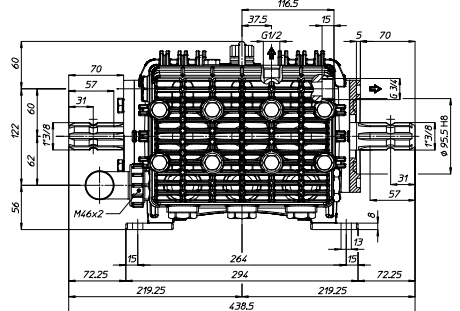


| RPM | CODICE CODE | MODELLO MODEL | PORTATA FLOW | | | | PRESSIONE PRESSURE | | POTENZA POWER | | PESO WEIGHT | PRESA DI FORZA SHAFT TYPE |
|-----|-------------|-----------------|--------------|------|-------|------|--------------------|-----|---------------|------|-------------|--|
| | | | NOM. | | | | bar | PSI | HP | kW | | |
| | | | l/min | GPM | l/min | GPM | | | | | Kg | |
| 600 | 838200 | GAMMA 85 TS 1C | 84.8 | 22.4 | 83.0 | 21.9 | 60 | 870 | 12.8 | 9.5 | 37.6 | TS 1C - 35 mm 1 3/8 Scanalato / Splined |
| | 838100 | GAMMA 85 TS 2C | 84.8 | 22.4 | 83.0 | 21.9 | 60 | 870 | 12.8 | 9.5 | 37.8 | |
| | 838700 | GAMMA 105 TS 1C | 107.4 | 28.4 | 105.0 | 27.7 | 60 | 870 | 16.1 | 12.0 | 37.6 | TS 2C - 1 3/8 Scanalato / Splined 1 3/8 Scanalato / Splined |
| | 838600 | GAMMA 105 TS 2C | 107.4 | 28.4 | 105.0 | 27.7 | 60 | 870 | 16.1 | 12.0 | 37.8 | |
| | 839200 | GAMMA 125 TS 1C | 134.3 | 35.5 | 131.0 | 34.6 | 60 | 870 | 20.2 | 15.0 | 37.6 | |
| | 839100 | GAMMA 125 TS 2C | 134.3 | 35.5 | 131.0 | 34.6 | 60 | 870 | 20.2 | 15.0 | 37.8 | |

Dimensioni d'ingombro (mm) - Overall Dimensions (mm)



TS 1C



TS 2C



GAMMA 3P

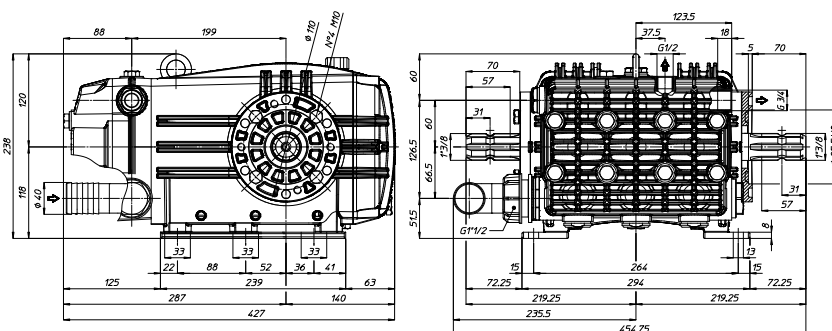


TS 2C



| RPM | CODICE CODE | MODELLO MODEL | PORTATA FLOW | | | | PRESSIONE PRESSURE | | POTENZA POWER | | PESO WEIGHT | PRESA DI FORZA SHAFT TYPE |
|-----|-------------|-----------------|--------------|------|-------|------|--------------------|-----|---------------|------|-------------|--|
| | | | NOM. | | | | bar | PSI | HP | kW | | |
| | | | l/min | GPM | l/min | GPM | | | | | | |
| 550 | 817200 | GAMMA 155 TS 2C | 149.0 | 39.4 | 145.0 | 38.3 | 60 | 870 | 22.3 | 16.6 | 38.0 | TS 2C - 1"3/8 Scanalato / Splined 1"3/8 Scanalato / Splined |

Dimensioni d'ingombro (mm) - Overall Dimensions (mm)



GAMMA 6P



TS 1C

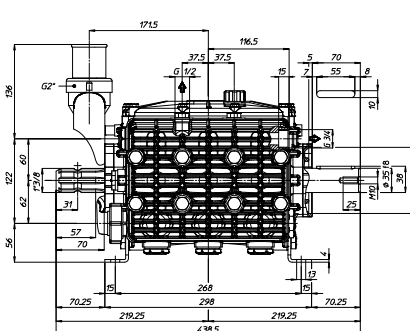
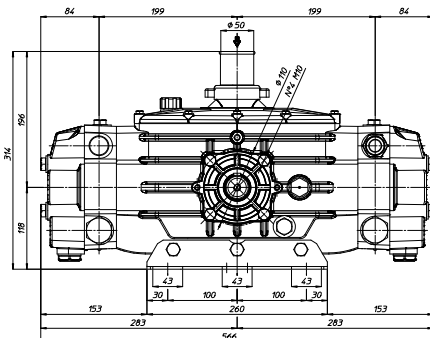


TS 2C

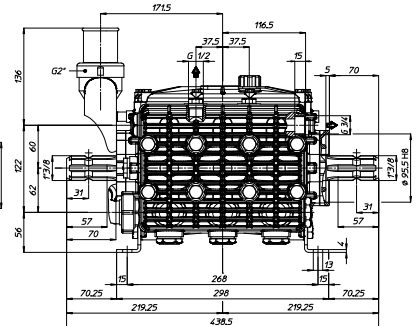


| RPM | CODICE CODE | MODELLO MODEL | PORTATA FLOW | | | | PRESSIONE PRESSURE | | POTENZA POWER | | PESO WEIGHT | PRESA DI FORZA SHAFT TYPE |
|-----|-------------|-----------------|--------------|------|-------|------|--------------------|-----|---------------|------|-------------|--|
| | | | NOM. | | | | bar | PSI | HP | kW | | |
| | | | l/min | GPM | l/min | GPM | | | | | Kg | |
| 600 | 839700 | GAMMA 162 TS 1C | 169.7 | 44.8 | 164.0 | 43.3 | 60 | 870 | 25.2 | 18.8 | 52.0 | TS 1C – 35 mm 1"3/8 Scanalato / Splined |
| | 839600 | GAMMA 162 TS 2C | 169.7 | 44.8 | 164.0 | 43.3 | 60 | 870 | 25.2 | 18.8 | 52.0 | |
| | 837200 | GAMMA 202 TS 1C | 214.9 | 56.8 | 208.0 | 55.0 | 60 | 870 | 32.0 | 23.9 | 52.0 | |
| | 837100 | GAMMA 202 TS 2C | 214.9 | 56.8 | 208.0 | 55.0 | 60 | 870 | 32.0 | 23.9 | 52.0 | |
| 550 | 840200 | GAMMA 242 TS 1C | 246.2 | 65.1 | 240.0 | 63.4 | 60 | 870 | 36.9 | 27.5 | 52.0 | TS 2C – 1"3/8 Scanalato / Splined |
| | 840100 | GAMMA 242 TS 2C | 246.2 | 65.1 | 240.0 | 63.4 | 60 | 870 | 36.9 | 27.5 | 52.0 | |

Dimensioni d'ingombro (mm) - Overall Dimensions (mm)



TS 1C

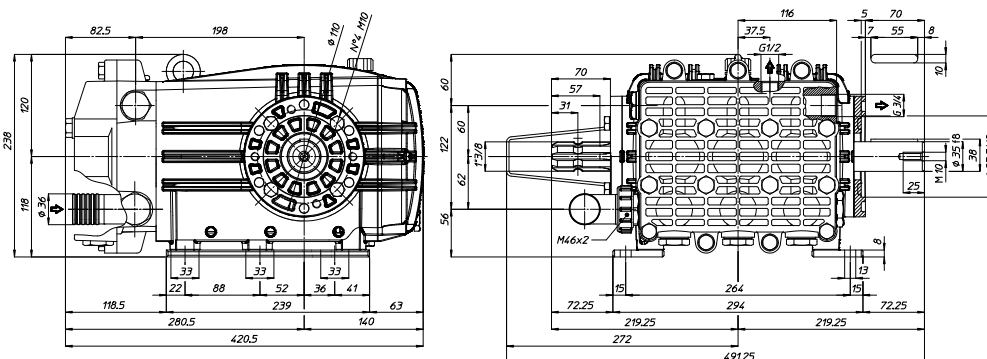


TS 2C



| RPM | CODICE CODE | MODELLO MODEL | PORTATA FLOW | | | | PRESSIONE PRESSURE | | POTENZA POWER | | PESO WEIGHT | PRESA DI FORZA SHAFT TYPE |
|-----|-------------|--------------------|--------------|------|-------|------|--------------------|------|---------------|------|-------------|--|
| | | | NOM. | | | | | | | | | |
| | | | l/min | GPM | l/min | GPM | bar | PSI | HP | kW | Kg | |
| 600 | 832100 | GAMMA-IL 83 TS 1C | 84.8 | 22.4 | 84.0 | 22.2 | 100 | 1450 | 21.5 | 16.0 | 53.3 | TS 1C - 35 mm 1"3/8 Scanalato / Splined |
| | 832600 | GAMMA-IL 103 TS 1C | 107.4 | 28.4 | 107.0 | 28.3 | 100 | 1450 | 27.4 | 20.4 | 53.3 | |

Dimensioni d'ingombro (mm) - Overall Dimensions (mm)

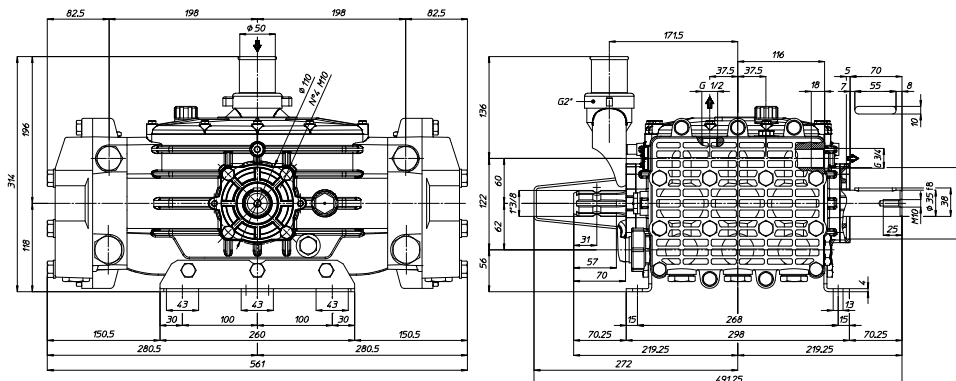


**GAMMA-IL
6P**



| RPM | CODICE CODE | MODELLO MODEL | PORTATA FLOW | | | | PRESSIONE PRESSURE | | POTENZA POWER | | PESO WEIGHT | PRESA DI FORZA SHAFT TYPE |
|-----|-------------|--------------------|--------------|------|-------|------|--------------------|------|---------------|------|-------------|--|
| | | | NOM. | | | | bar | PSI | HP | kW | | |
| | | | l/min | GPM | l/min | GPM | | | | | Kg | |
| 600 | 833100 | GAMMA-IL 160 TS 1C | 169.7 | 44.8 | 163.0 | 43.1 | 80 | 1160 | 33.4 | 24.9 | 69.0 | TS 1C - 35 mm 1 3/8 Scanalato / Splined |
| | 833600 | GAMMA-IL 200 TS 1C | 214.9 | 56.8 | 202.0 | 54.4 | 80 | 1160 | 42.2 | 31.5 | 69.0 | |

Dimensioni d'ingombro (mm) - Overall Dimensions (mm)





PENTA



Alcuni modelli di pompe della serie PENTA sono disponibili con doppia presa di forza.

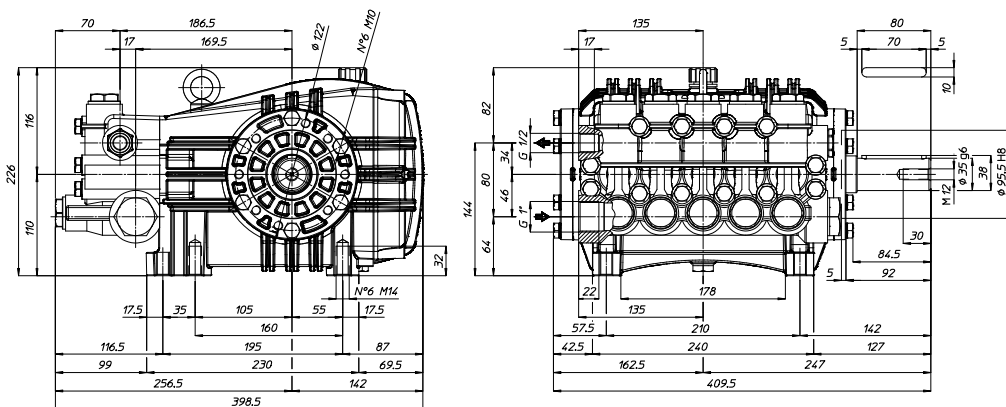
Some pump models of PENTA series are available with double ended shaft.

| RPM | CODICE CODE | MODELLO MODEL | PORTATA FLOW | | | | PRESSIONE PRESSURE | | POTENZA POWER | | PESO WEIGHT | PRESA DI FORZA SHAFT TYPE |
|------|-------------|------------------|--------------|------|-------|-----|--------------------|------|---------------|------|-------------|---|
| | | | NOM. | | | | bar | PSI | HP | kW | | |
| | | | l/min | GPM | l/min | GPM | | | | | | |
| 1000 | 880900 | PENTA-B 25/350 R | 26.7 | 7.1 | 25.0 | 6.6 | 350 | 5075 | 22.4 | 16.7 | 43.9 | R - Albero MASCHIO 35 mm DX R - MALE Shaft 35 mm RIGHT |
| | 880700 | PENTA-B 25/400 R | 26.7 | 7.1 | 25.0 | 6.6 | 400 | 5800 | 25.6 | 19.1 | 43.9 | |
| 1450 | 880800 | PENTA-C 35/350 R | 38.7 | 10.2 | 35.0 | 9.2 | 350 | 5075 | 31.4 | 23.4 | 43.9 | |
| | 880600 | PENTA-C 35/400 R | 38.7 | 10.2 | 35.0 | 9.2 | 400 | 5800 | 35.9 | 26.8 | 43.9 | |

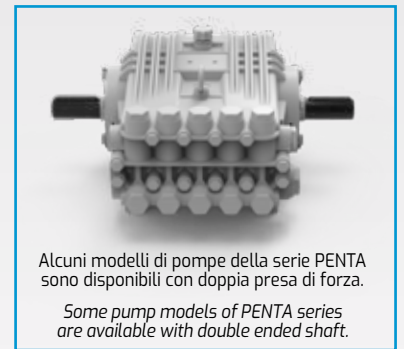
Tutti i modelli di POMPE sono disponibili con Presa di Forza Sinistra (L). Esempio: PENTA-B 25/350 L

All models of PUMPS are available with Left P.T.O. Shaft (L). Example: PENTA-B 25/350 L

Dimensioni d'ingombro (mm) - Overall Dimensions (mm)



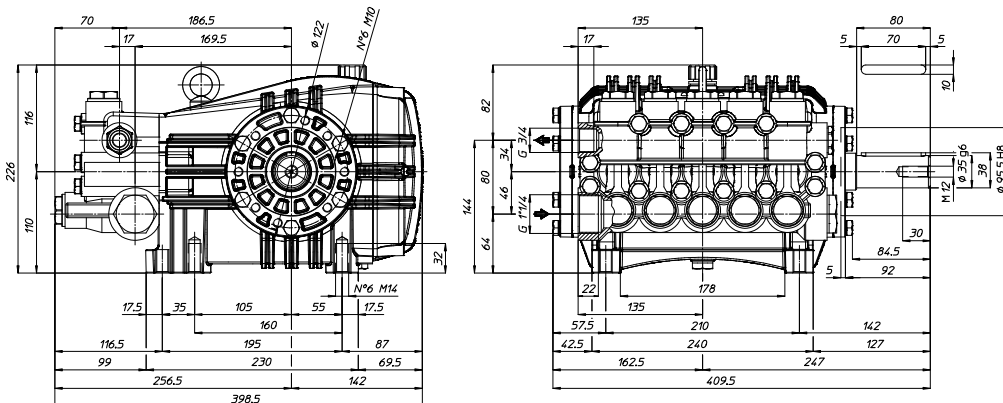
PENTA



| RPM | CODICE CODE | MODELLO MODEL | PORTATA FLOW | | | | PRESSIONE PRESSURE | | POTENZA POWER | | PESO WEIGHT | PRESA DI FORZA SHAFT TYPE |
|------|-------------|------------------|--------------|------|-------|------|--------------------|------|---------------|------|-------------|---|
| | | | NOM. | | | | bar | PSI | HP | kW | | |
| | | | l/min | GPM | l/min | GPM | | | | | kg | |
| 1000 | 880500 | PENTA-B 30/300 R | 32.3 | 8.5 | 30.0 | 7.9 | 300 | 4350 | 23.1 | 17.2 | 43.9 | R - Albero MASCHIO 35 mm DX R - MALE Shaft 35 mm RIGHT |
| | 880300 | PENTA-B 40/250 R | 41.7 | 11.0 | 39.0 | 10.3 | 250 | 3625 | 25.0 | 18.7 | 43.9 | |
| | 883000 | PENTA-B 40/300 R | 41.8 | 11.1 | 40.0 | 10.6 | 300 | 4350 | 30.7 | 22.9 | 43.9 | |
| | 880100 | PENTA-B 50/200 R | 52.3 | 13.8 | 49.0 | 12.9 | 200 | 2900 | 25.1 | 18.7 | 43.9 | |
| 1450 | 880400 | PENTA-C 43/300 R | 46.9 | 12.4 | 43.0 | 11.4 | 300 | 4350 | 33.1 | 24.7 | 43.9 | |
| | 880200 | PENTA-C 55/250 R | 60.5 | 16.0 | 57.0 | 15.1 | 250 | 3625 | 36.5 | 27.2 | 43.9 | |
| | 882600 | PENTA-C 58/300 R | 60.6 | 16.0 | 58.0 | 15.3 | 300 | 4350 | 44.6 | 33.3 | 43.9 | |
| | 880000 | PENTA-C 70/200 R | 75.9 | 20.1 | 71.0 | 18.8 | 200 | 2900 | 36.4 | 27.2 | 43.9 | |

Tutti i modelli di POMPE sono disponibili con Presa di Forza Sinistra (L). Esempio : PENTA-B 30/300 L
All models of PUMPS are available with Left P.T.O. Shaft (L). Example : PENTA-B 30/300 L

Dimensioni d'ingombro (mm) - Overall Dimensions (mm)





PENTA 600

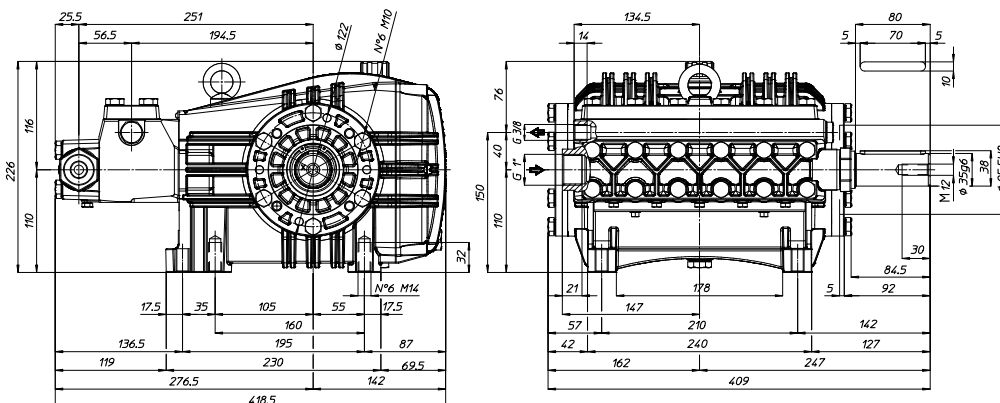


| RPM | CODICE CODE | MODELLO MODEL | PORTATA FLOW | | | | PRESSIONE PRESSURE | | POTENZA POWER | | PESO WEIGHT | PRESA DI FORZA SHAFT TYPE |
|------|-------------|------------------|--------------|-----|-------|-----|--------------------|------|---------------|------|-------------|---|
| | | | NOM. | | | | bar | PSI | HP | kW | | |
| | | | l/min | GPM | l/min | GPM | | | | | | |
| 1000 | 790001 | PENTA-B 21/600 R | 22.1 | 5.8 | 21.0 | 5.5 | 600 | 8700 | 32.3 | 24.1 | 44.6 | R - Albero MASCHIO 35 mm DX R - MALE Shaft 35 mm RIGHT |
| 1450 | 884900 | PENTA-C 30/600 R | 32.1 | 8.5 | 30.0 | 7.9 | 600 | 8700 | 46.2 | 34.5 | 44.6 | |
| 1750 | 790002 | PENTA-D 7.5/88 R | 29.9 | 7.9 | 28.0 | 7.4 | 600 | 8700 | 43.1 | 32.1 | 44.6 | |

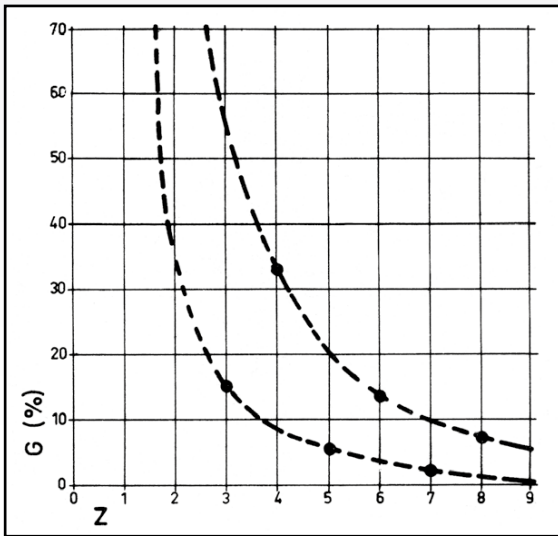
Tutti i modelli di POMPE sono disponibili con Presa di Forza Sinistra (L). Esempio : PENTA-B 21/600 L

All models of PUMPS are available with Left P.T.O. Shaft (L). Example : PENTA-B 21/600 L

Dimensioni d'ingombro (mm) - Overall Dimensions (mm)



PENTA



1 = Curva relativa alle pompe a pistoni con numero dispari di pompanti.

2 = Curva relativa alle pompe a pistoni con numero pari di pompanti.

Z = Numero dei denti o dei pompanti.

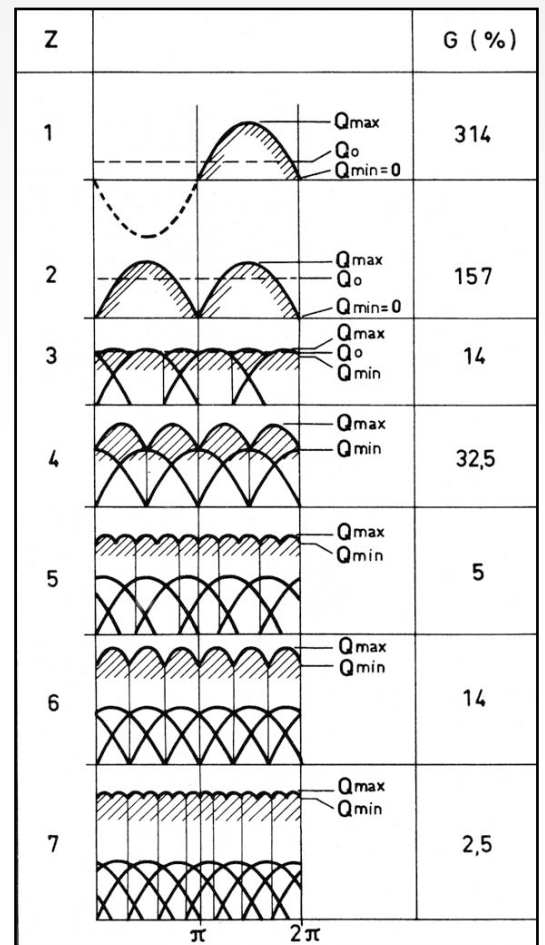
$G (\%) = \text{Grado di irregolarità} \frac{(Q_{\max} - Q_{\min})}{Q_0}$ $Q_0 = \text{portata media}$.

1 = Irregularity curve for pumps with odd number of pistons.

2 = Irregularity curve for pumps with even number of pistons.

Z = Number of pistons.

$G (\%) = \text{Degree of irregularity} \frac{(Q_{\max} - Q_{\min})}{Q_0}$ $Q_0 = \text{average flow}$.





VX



Alcuni modelli di pompe della serie VX sono disponibili con doppia presa di forza.

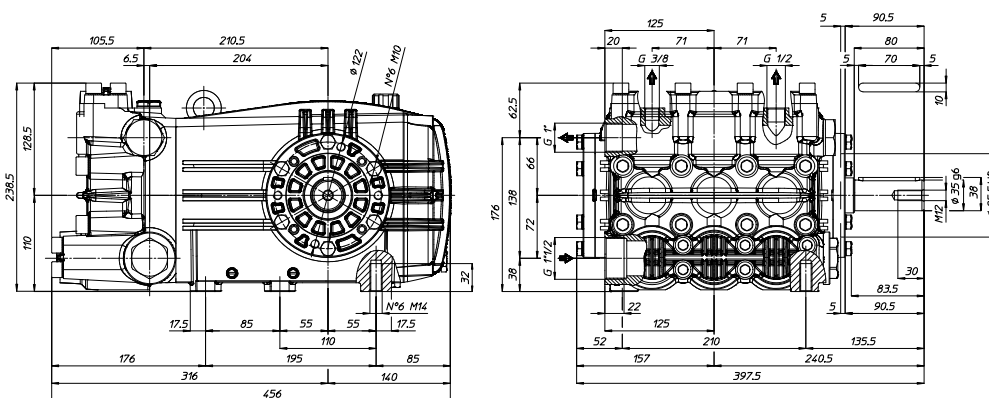
Some pump models of VX series are available with double ended shaft.

| RPM | CODICE CODE | MODELLO MODEL | PORTATA FLOW | | | | PRESSIONE PRESSURE | | POTENZA POWER | | PESO WEIGHT | PRESA DI FORZA SHAFT TYPE |
|------|-------------|----------------|--------------|------|-------|------|--------------------|------|---------------|------|-------------|---|
| | | | NOM. | | | | bar | PSI | HP | kW | | |
| | | | l/min | GPM | l/min | GPM | | | | | | |
| 800 | 847700 | VX-A 161/110 R | 160.3 | 42.4 | 155.0 | 41.0 | 110 | 1595 | 43.7 | 32.6 | 58.0 | R - Albero MASCHIO 35 mm DX R - MALE Shaft 35 mm RIGHT |
| 1000 | 847100 | VX-B 100/200 R | 101.3 | 26.8 | 98.0 | 25.9 | 200 | 2900 | 50.3 | 37.5 | 58.0 | |
| | 847200 | VX-B 130/160 R | 128.3 | 33.9 | 125.0 | 33.0 | 160 | 2320 | 51.3 | 38.3 | 58.0 | |
| | 847300 | VX-B 160/130 R | 158.3 | 41.8 | 157.0 | 41.5 | 130 | 1885 | 52.3 | 39.0 | 58.0 | |
| | 814300 | VX-B 200/100 R | 200.4 | 52.9 | 199.0 | 52.6 | 100 | 1450 | 51.0 | 38.0 | 58.0 | |
| 1450 | 217500 | VX-C 100/200 R | 112.5 | 29.7 | 100.0 | 26.4 | 200 | 2900 | 51.3 | 38.3 | 58.0 | |
| | 910600 | VX-C 135/160 R | 146.9 | 38.8 | 135.0 | 35.7 | 160 | 2320 | 55.4 | 40.7 | 58.0 | |

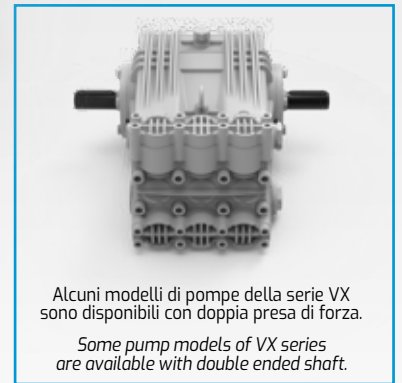
Tutti i modelli di POMPE sono disponibili con Presa di Forza Sinistra (L). Esempio : VX-A 161/110 L

All models of PUMPS are available with Left P.T.O. Shaft (L). Example : VX-A 161/110 L

Dimensioni d'ingombro (mm) - Overall Dimensions (mm)



VX

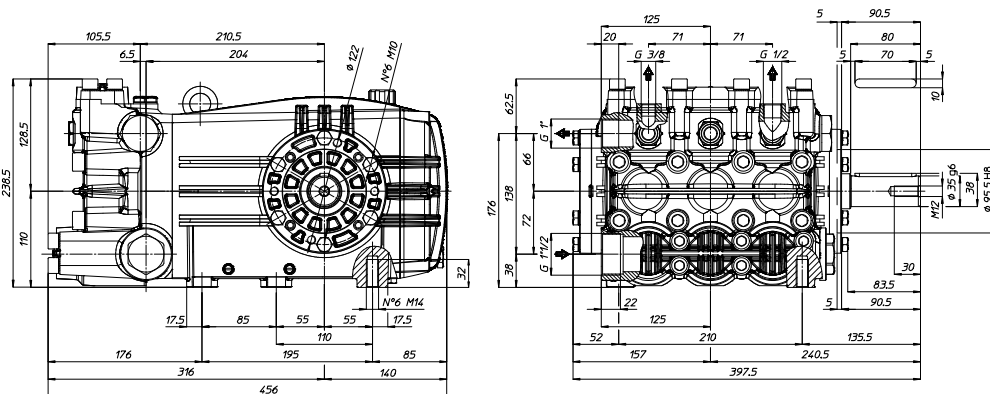


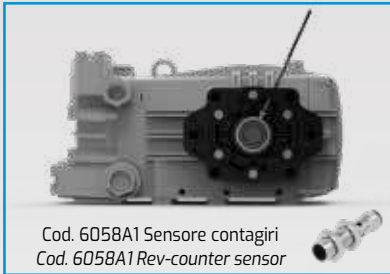
| RPM | CODICE CODE | MODELLO MODEL | PORTATA FLOW | | | | PRESSIONE PRESSURE | | POTENZA POWER | | PESO WEIGHT | PRESA DI FORZA SHAFT TYPE |
|------|-------------|---------------|--------------|------|-------|------|--------------------|------|---------------|------|-------------|-----------------------------|
| | | | NOM. | | | | bar | PSI | HP | kW | | |
| | | | L/min | GPM | L/min | GPM | | | | | | |
| 1000 | 836300 | VX-B 60/350 R | 64.7 | 171 | 60.0 | 15.9 | 350 | 5075 | 53.8 | 40.1 | 62.0 | R - Albero MASCHIO 35 mm DX |
| | 808800 | VX-B 75/280 R | 77.6 | 20.5 | 75.0 | 19.8 | 280 | 4060 | 53.8 | 40.1 | 62.0 | R - MALE Shaft 35 mm RIGHT |

Tutti i modelli di POMPE sono disponibili con Presa di Forza Sinistra (L). Esempio : VX-B 60/350 L

All models of PUMPS are available with Left P.T.O. Shaft (L). Example : VX-B 60/350 L

Dimensioni d'ingombro (mm) - Overall Dimensions (mm)





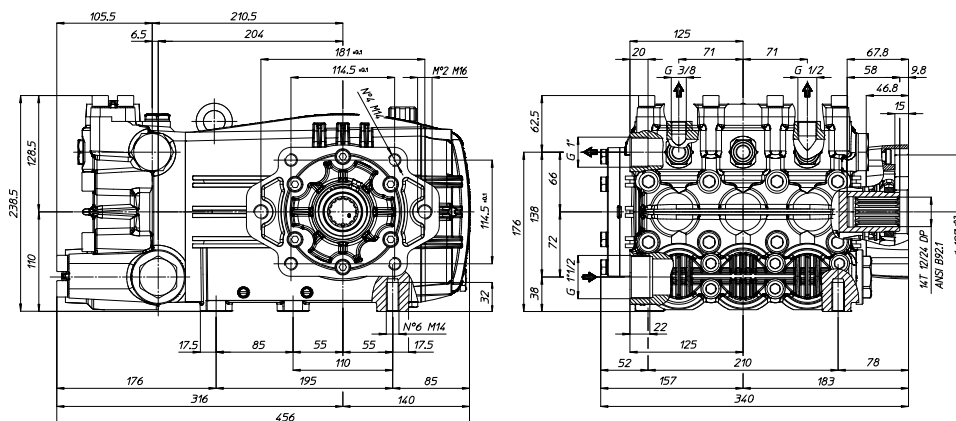
Cod. 6058A1 Sensore contagiri
Cod. 6058A1 Rev-counter sensor

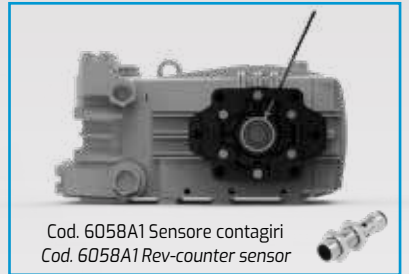


| RPM | CODICE CODE | MODELLO MODEL | PORTATA FLOW | | | | PRESSIONE PRESSURE | | POTENZA POWER | | PESO WEIGHT | PRESA DI FORZA SHAFT TYPE |
|------|----------------|------------------|-----------------|------|-------|------|-----------------------|------|------------------|------|----------------|---|
| | | | NOM. | | | | bar | PSI | HP | kW | | |
| | | | l/min | GPM | l/min | GPM | | | | | | |
| 1000 | 911700 | VX-B 75/280 R MI | 77.6 | 20.5 | 75.0 | 19.8 | 280 | 4060 | 53.8 | 40.1 | 64.0 | R MI - Albero 14T/24 DP - SAE C - DX R MI - Shaft 14T/24 D P - SAE C - RIGHT |

Tutti i modelli di POMPE sono disponibili con Presa di Forza Sinistra (L). Esempio : VX-B 75/280 L MI
All models of PUMPS are available with Left P.T.O. Shaft (L). Example : VX-B 75/280 L MI

Dimensioni d'ingombro (mm) - Overall Dimensions (mm)



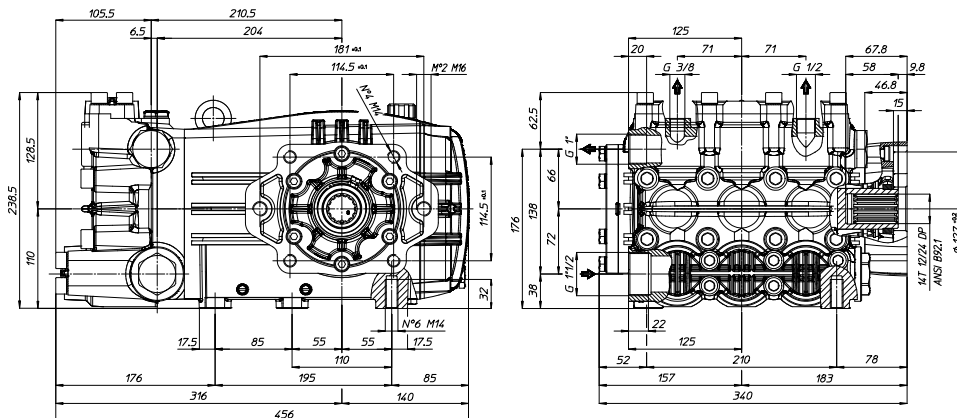


| RPM | CODICE CODE | MODELLO MODEL | PORTATA FLOW | | | | PRESSIONE PRESSURE | | POTENZA POWER | | PESO WEIGHT | PRESA DI FORZA SHAFT TYPE |
|------|-------------|-------------------|--------------|------|-------|------|--------------------|------|---------------|------|-------------|--|
| | | | NOM. | | | | bar | PSI | HP | kW | | |
| | | | l/min | GPM | l/min | GPM | | | | | | |
| 800 | 913200 | VX-A 161/110 R MI | 160.3 | 42.4 | 155.0 | 41.0 | 110 | 1595 | 43.7 | 32.6 | 60.0 | R MI - Albero 14T 12/24 DP - SAE C - DX R MI - Shaft 14T 12/24 DP - SAE C - RIGHT |
| 1000 | 913300 | VX-B 100/200 R MI | 101.3 | 26.8 | 98.0 | 25.9 | 200 | 2900 | 50.3 | 37.5 | 60.0 | |
| | 911800 | VX-B 130/160 R MI | 128.3 | 33.9 | 125.0 | 33.0 | 160 | 2320 | 51.3 | 38.3 | 60.0 | |
| | 912200 | VX-B 160/130 R MI | 158.3 | 41.8 | 157.0 | 41.5 | 130 | 1885 | 52.3 | 39.0 | 60.0 | |
| | 912300 | VX-B 200/100 R MI | 200.4 | 52.9 | 199.0 | 52.6 | 100 | 1450 | 51.0 | 38.0 | 60.0 | |
| 1450 | 912400 | VX-C 100/200 R MI | 112.5 | 29.7 | 100.0 | 26.4 | 200 | 2900 | 51.3 | 38.3 | 60.0 | |

Tutti i modelli di POMPE sono disponibili con Presa di Forza Sinistra (L). Esempio: VX-A 161/110 L MI

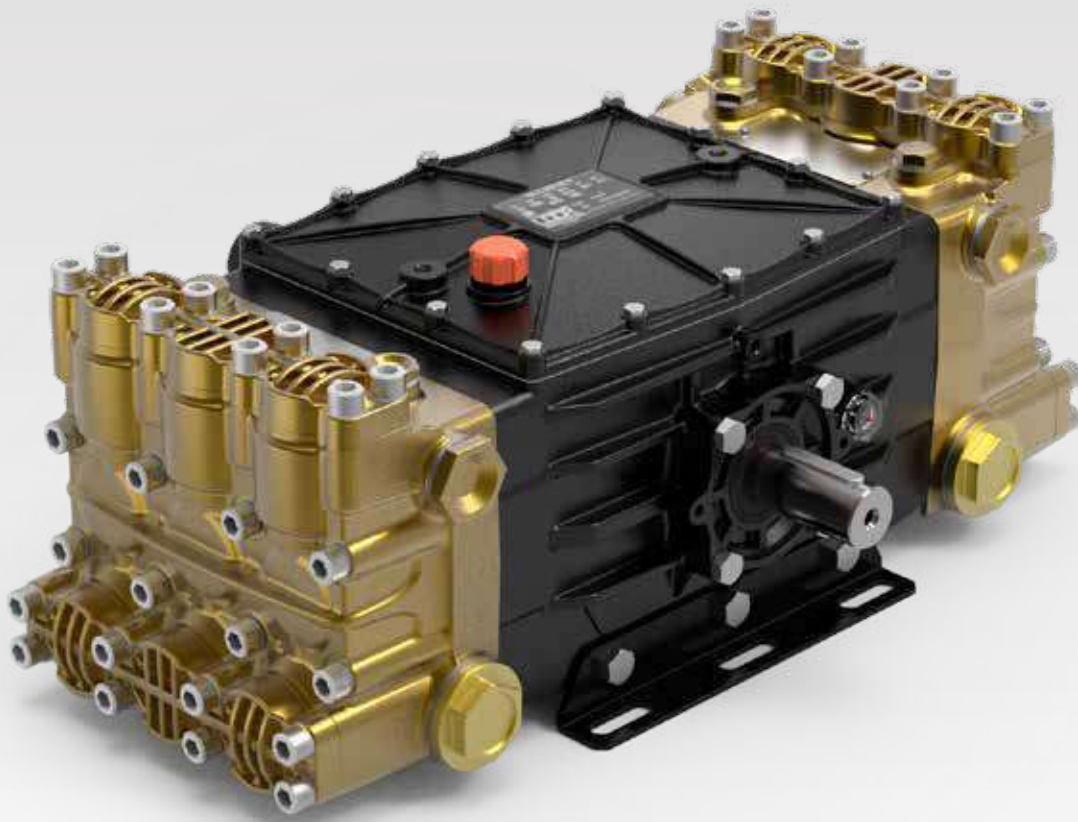
All models of PUMPS are available with Left P.T.O. Shaft (L). Example: VX-A 161/110 L MI

Dimensioni d'ingombro (mm) - Overall Dimensions (mm)



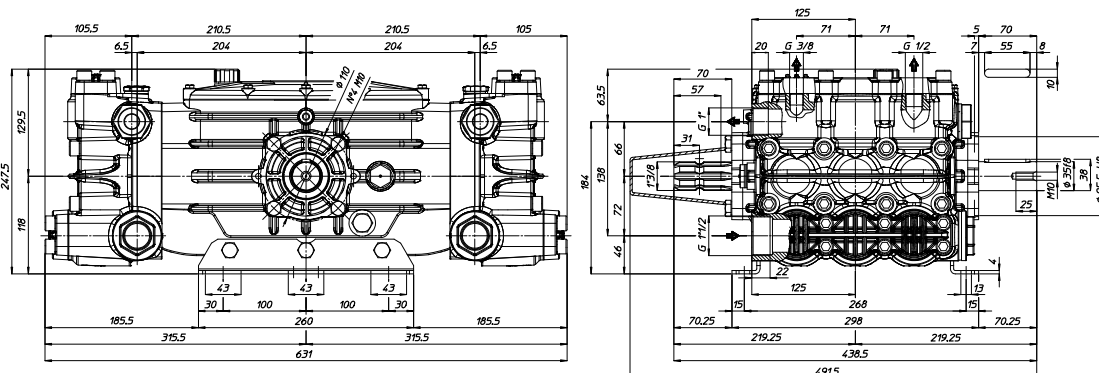


VX6



| RPM | CODICE CODE | MODELLO MODEL | PORTATA FLOW | | | | PRESSIONE PRESSURE | | POTENZA POWER | | PESO WEIGHT | PRESA DI FORZA SHAFT TYPE |
|-----|-------------|--------------------|--------------|-------|-------|-------|--------------------|-----|---------------|------|-------------|---------------------------|
| | | | NOM. | | U/min | GPM | bar | PSI | HP | kW | | |
| 800 | 915500 | VX6-A 260/60 TS 1C | 273.7 | 72.3 | | | | | | | 260.0 | 68.7 |
| | 915400 | VX6-A 330/50 TS 1C | 346.7 | 91.6 | 329.3 | 87.0 | 50 | 725 | 44.3 | 33.1 | 91.0 | |
| | 915300 | VX6-A 410/40 TS 1C | 433.4 | 114.5 | 411.7 | 108.8 | 40 | 580 | 44.3 | 33.1 | 91.0 | |

Dimensioni d'ingombro (mm) - Overall Dimensions (mm)



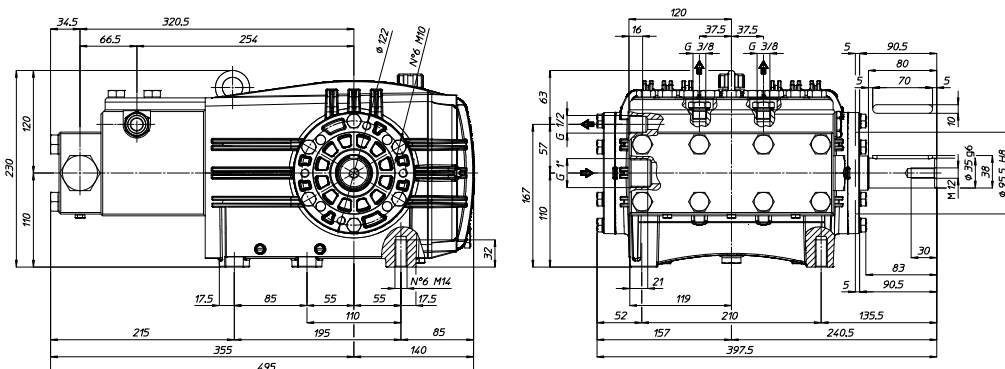
VH



| RPM | CODICE CODE | MODELLO MODEL | PORTATA FLOW | | | | PRESSIONE PRESSURE | | POTENZA POWER | | PESO WEIGHT | PRESA DI FORZA SHAFT TYPE |
|------|-------------|---------------|--------------|------|-------|------|--------------------|------|---------------|------|-------------|---|
| | | | NOM. | | | | | | | | | |
| | | | l/min | GPM | l/min | GPM | bar | PSI | HP | kW | Kg | |
| 1000 | 834700 | VH-B 40/600 R | 42.4 | 11.2 | 40.0 | 10.6 | 600 | 8700 | 61.5 | 45.9 | 66.0 | R - Albero MASCHIO 35 mm DX R - MALE Shaft 35 mm RIGHT |

Tutti i modelli di POMPE sono disponibili con Presa di Forza Sinistra (L). Esempio : VH-B 40/600 L
All models of PUMPS are available with Left P.T.O. Shaft (L). Example : VH-B 40/600 L

Dimensioni d'ingombro (mm) - Overall Dimensions (mm)



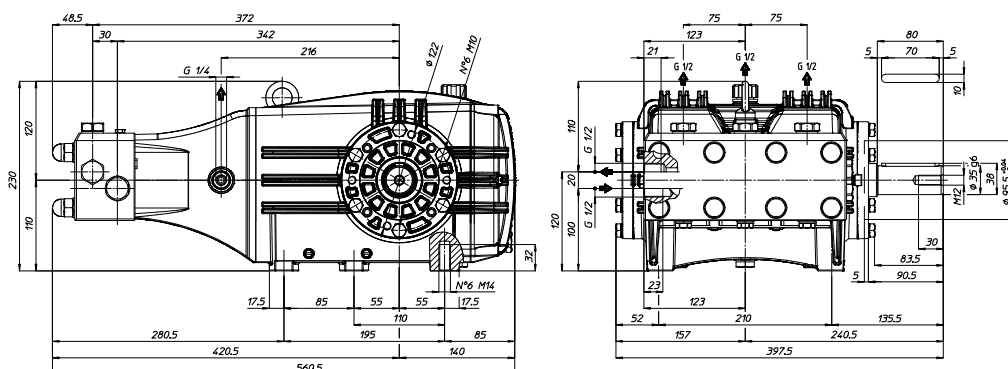


| RPM | CODICE CODE | MODELLO MODEL | PORTATA FLOW | | | | PRESSIONE PRESSURE | | POTENZA POWER | | PESO WEIGHT | PRESA DI FORZA SHAFT TYPE |
|------|-------------|----------------|--------------|-----|-------|-----|--------------------|-------|---------------|------|-------------|---|
| | | | NOM. | | | | bar | PSI | HP | kW | | |
| | | | L/min | GPM | L/min | GPM | | | | | | |
| 1000 | 800300 | VY-B 15/1000 R | 16.2 | 4.3 | 14.6 | 3.9 | 1000 | 14500 | 37.4 | 27.9 | 61.0 | R - Albero MASCHIO 35 mm DX R - MALE Shaft 35 mm RIGHT |
| | 802500 | VY-B 14/1250 R | 16.2 | 4.3 | 14.1 | 3.7 | 1250 | 18130 | 45.2 | 33.7 | 61.0 | |
| | 800700 | VY-B 20/800 R | 21.1 | 5.6 | 20.0 | 5.3 | 800 | 11600 | 41.0 | 30.6 | 61.0 | |
| | 800100 | VY-B 20/1000 R | 20.8 | 5.5 | 19.5 | 5.2 | 1000 | 14500 | 50.0 | 37.3 | 61.0 | |
| | 800900 | VY-B 25/800 R | 25.3 | 6.7 | 24.5 | 6.5 | 800 | 11600 | 50.3 | 37.5 | 61.0 | |
| | 810001 | VY-B 25/1000 R | 25.3 | 6.7 | 24.0 | 6.3 | 1000 | 14500 | 61.5 | 45.9 | 61.0 | |
| 1200 | 801200 | VY-F 15/1000 R | 16.9 | 4.5 | 15.0 | 4.0 | 1000 | 14500 | 38.4 | 28.7 | 61.0 | |
| | 804200 | VY-F 15/1250 R | 16.9 | 4.5 | 14.5 | 3.8 | 1250 | 18130 | 46.4 | 34.6 | 61.0 | |
| | 801400 | VY-F 20/800 R | 22.0 | 5.8 | 20.0 | 5.3 | 800 | 11600 | 41.0 | 30.6 | 61.0 | |
| 1450 | 803500 | VY-F 20/1000 R | 22.0 | 5.8 | 19.5 | 5.2 | 1000 | 14500 | 50.0 | 37.3 | 61.0 | |
| | 804400 | VY-C 15/1000 R | 17.2 | 4.6 | 15.0 | 4.0 | 1000 | 14500 | 38.5 | 28.7 | 61.0 | |
| | 807200 | VY-C 19/1000 R | 20.7 | 5.5 | 18.6 | 4.9 | 1000 | 14500 | 47.7 | 35.6 | 61.0 | |
| 1750 | 810200 | VY-D 4.0/15 R | 18.1 | 4.8 | 15.0 | 4.0 | 1000 | 14500 | 38.4 | 28.6 | 61.0 | |
| | 810400 | VY-D 5.0/15 R | 20.8 | 5.5 | 18.1 | 4.8 | 1000 | 14500 | 46.4 | 34.6 | 61.0 | |
| | 807400 | VY-D 6.5/12 R | 26.7 | 7.1 | 24.6 | 6.5 | 800 | 11600 | 50.4 | 37.6 | 61.0 | |

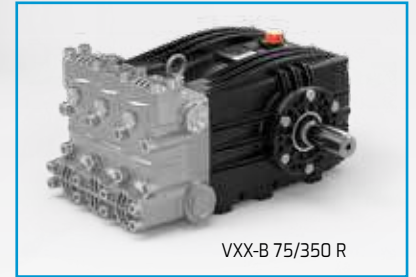
Tutti i modelli di POMPE sono disponibili con Presa di Forza Sinistra (L). Esempio : VY-B 15/1000 L

All models of PUMPS are available with Left P.T.O. Shaft (L). Example : VY-B 15/1000 L

Dimensioni d'ingombro (mm) - Overall Dimensions (mm)



VXX

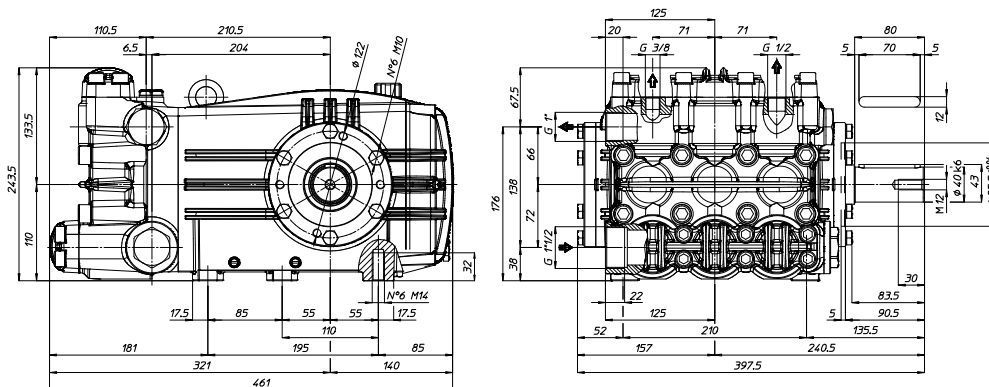


| RPM | CODICE CODE | MODELLO MODEL | PORTATA FLOW | | | | PRESSIONE PRESSURE | | POTENZA POWER | | PESO WEIGHT | PRESA DI FORZA SHAFT TYPE |
|------|-------------|-----------------|--------------|------|-------|------|--------------------|------|---------------|------|-------------|---|
| | | | NOM. | | | | bar | PSI | HP | kW | | |
| | | | l/min | GPM | l/min | GPM | | | | | | |
| 1000 | 800003 | VXX-B 75/350 R | 77.6 | 20.5 | 75.0 | 19.8 | 350 | 5075 | 67.3 | 50.2 | 64.0 | R - Albero MASCHIO 40 mm DX R - MALE Shaft 40 mm RIGHT |
| | 910800 | VXX-B 130/220 R | 128.3 | 33.9 | 125.0 | 33.0 | 220 | 3190 | 70.5 | 52.6 | 60.0 | |
| | 911000 | VXX-B 160/180 R | 158.3 | 41.8 | 157.0 | 41.5 | 180 | 2610 | 72.5 | 54.0 | 60.0 | |
| | 911200 | VXX-B 200/150 R | 200.4 | 52.9 | 199.0 | 52.6 | 150 | 2175 | 76.5 | 57.1 | 60.0 | |
| 1150 | 911900 | VXX-F 230/140 R | 230.5 | 60.9 | 226.0 | 59.7 | 140 | 2030 | 81.1 | 61.0 | 60.0 | |

Tutti i modelli di POMPE sono disponibili con Presa di Forza Sinistra (L). Esempio : VXX-B 75/350 L

All models of PUMPS are available with Left P.T.O. Shaft (L). Example : VXX-B 75/350 L

Dimensioni d'ingombro (mm) - Overall Dimensions (mm)





VXX MI



Cod. 6058A1 Sensore contagiri
Cod. 6058A1 Rev-counter sensor



VXX-B 75/350 R MI

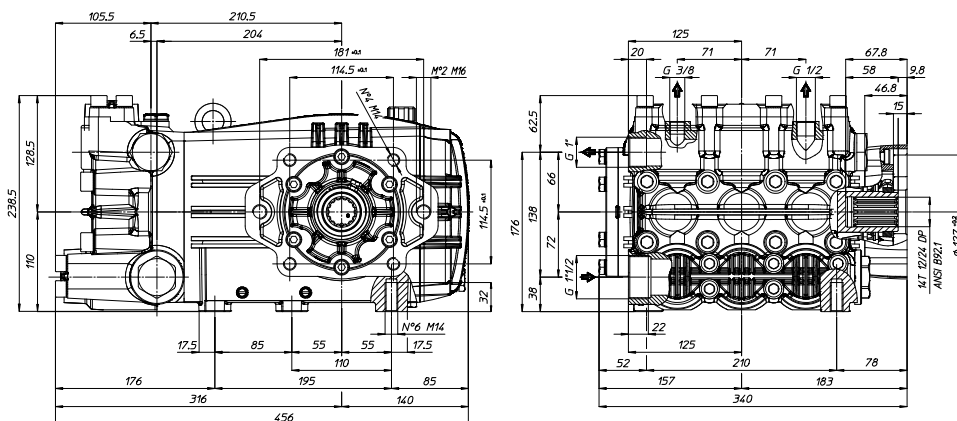


| RPM | CODICE CODE | MODELLO MODEL | PORTATA FLOW | | | | PRESSIONE PRESSURE | | POTENZA POWER | | PESO WEIGHT | PRESA DI FORZA SHAFT TYPE |
|------|-------------|--------------------|--------------|------|-------|------|--------------------|------|---------------|------|-------------|--|
| | | | NOM. | | | | bar | PSI | HP | kW | | |
| | | | L/min | GPM | L/min | GPM | | | | | | |
| 1000 | 800004 | VXX-B 75/350 R MI | 77.6 | 20.5 | 75.0 | 19.8 | 350 | 5075 | 67.3 | 50.2 | 64.0 | R MI - Albero 14T 12/24 DP - SAE C - DX R MI - Shaft 14T 12/24 DP - SAE C - RIGHT |
| | 912700 | VXX-B 130/220 R MI | 128.3 | 33.9 | 125.0 | 33.0 | 220 | 3190 | 70.5 | 52.6 | 60.0 | |
| | 912800 | VXX-B 160/180 R MI | 158.3 | 41.8 | 157.0 | 41.5 | 180 | 2610 | 72.5 | 54.0 | 60.0 | |
| | 912900 | VXX-B 200/150 R MI | 200.4 | 52.9 | 199.0 | 52.6 | 150 | 2175 | 76.5 | 57.1 | 60.0 | |
| 1150 | 913000 | VXX-F 230/140 R MI | 230.5 | 60.9 | 226.0 | 59.7 | 140 | 2030 | 81.1 | 61.0 | 60.0 | |

Tutti i modelli di POMPE sono disponibili con Presa di Forza Sinistra (L). Esempio : VXX-B 75/350 L MI

All models of PUMPS are available with Left P.T.O. Shaft (L). Example : VXX-B 75/350 L MI

Dimensioni d'ingombro (mm) - Overall Dimensions (mm)



HX

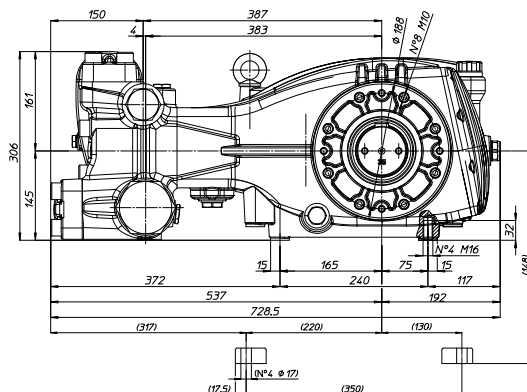


| RPM | CODICE CODE | MODELLO MODEL | PORTATA FLOW | | | | PRESSIONE PRESSURE | | POTENZA POWER | | PESO WEIGHT | PRESA DI FORZA SHAFT TYPE |
|-----|-------------|----------------|--------------|-------|-------|-------|--------------------|------|---------------|------|-------------|---|
| | | | NOM. | | | | bar | PSI | HP | kW | | |
| | | | l/min | GPM | l/min | GPM | | | | | | |
| 800 | 310500 | HX-A 135/300 R | 135.1 | 35.7 | 124.5 | 32.9 | 300 | 4350 | 95.8 | 71.4 | 162.0 | R - Albero MASCHIO 80 mm DX R - MALE Shaft 80 mm RIGHT |
| | 310400 | HX-A 160/240 R | 171.0 | 45.2 | 162.5 | 42.9 | 240 | 3480 | 100.0 | 74.5 | 162.0 | |
| | 310300 | HX-A 200/200 R | 211.1 | 55.8 | 206.0 | 54.4 | 200 | 2900 | 105.7 | 78.8 | 162.0 | |
| | 310200 | HX-A 250/160 R | 267.2 | 70.6 | 260.0 | 68.7 | 160 | 2320 | 106.8 | 79.6 | 162.0 | |
| | 310100 | HX-A 310/130 R | 330.0 | 87.2 | 323.3 | 85.4 | 130 | 1885 | 107.8 | 80.4 | 162.0 | |
| | 310000 | HX-A 400/100 R | 400.0 | 105.7 | 395.1 | 104.4 | 100 | 1450 | 101.3 | 75.5 | 162.0 | |

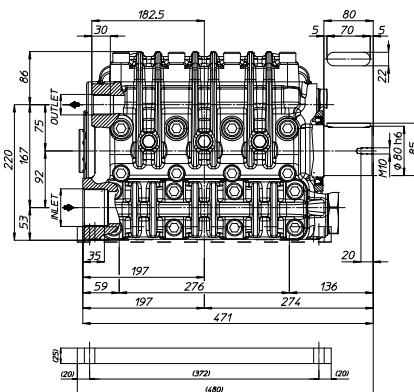
Tutti i modelli di POMPE sono disponibili con Presa di Forza Sinistra (L). Esempio : HX-A 135/300 L

All models of PUMPS are available with Left P.T.O. Shaf (L). Example : HX-A 135/300 L

Dimensioni d'ingombro (mm) - Overall Dimensions (mm)



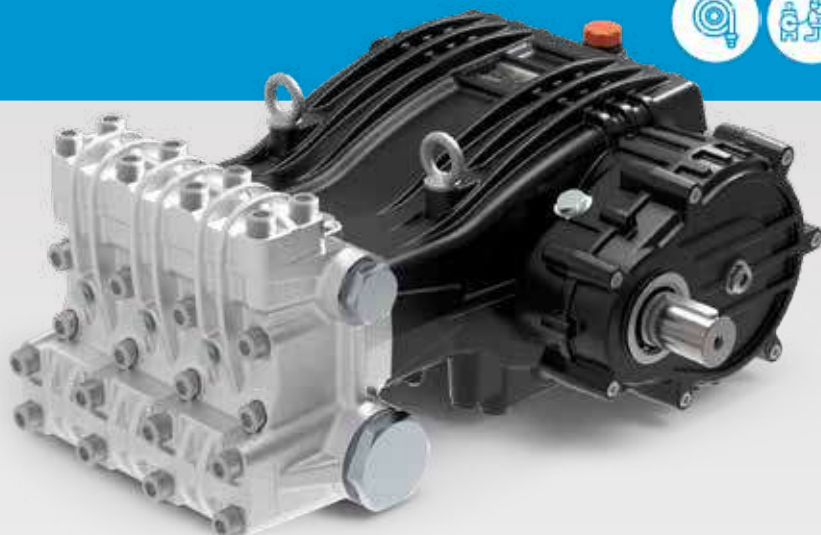
| | INLET | OUTLET |
|-----------|-------|--------|
| 135/300 R | G 2" | G 1" |
| 160/240 R | G 2" | G 1" |
| 200/200 R | G 2" | G 1" |



| | INLET | OUTLET |
|-----------|----------|----------|
| 250/160 R | G 2" 1/2 | G 1" 1/4 |
| 310/130 R | G 2" 1/2 | G 1" 1/4 |
| 400/100 R | G 2" 1/2 | G 1" 1/4 |



HXR

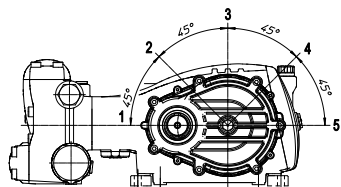


| RPM | CODICE CODE | MODELLO MODEL | PORTATA FLOW | | | | PRESSIONE PRESSURE | | POTENZA POWER | | PESO WEIGHT | PRESA DI FORZA SHAFT TYPE |
|------|-------------|------------------|--------------|-------|-------|-------|--------------------|------|---------------|------|-------------|---|
| | | | NOM. | | L/min | GPM | bar | PSI | HP | kW | | |
| | | | L/min | GPM | | | | | | | L/min | GPM |
| 1500 | 317600 | HXR1-C 135/300 R | 135.1 | 35.7 | 124.5 | 32.9 | 300 | 4350 | 95.8 | 71.4 | 181.0 | R - Albero MASCHIO 50 mm DX R - MALE Shaft 50 mm RIGHT |
| | 317300 | HXR1-C 160/240 R | 171.0 | 45.2 | 162.5 | 42.9 | 240 | 3480 | 100.0 | 74.5 | 181.0 | |
| | 317000 | HXR1-C 200/200 R | 211.1 | 55.8 | 206.0 | 54.4 | 200 | 2900 | 105.7 | 78.8 | 181.0 | |
| | 316700 | HXR1-C 250/160 R | 267.2 | 70.6 | 260.0 | 68.7 | 160 | 2320 | 106.8 | 79.6 | 181.0 | |
| | 316400 | HXR1-C 310/130 R | 330.0 | 87.2 | 323.3 | 85.4 | 130 | 1885 | 107.8 | 80.4 | 181.0 | |
| | 317900 | HXR1-C 400/100 R | 400.0 | 105.7 | 395.1 | 104.4 | 100 | 1450 | 101.3 | 75.5 | 181.0 | |
| 1800 | 317700 | HXR1-D 135/300 R | 135.1 | 35.7 | 124.5 | 32.9 | 300 | 4350 | 95.8 | 71.4 | 181.0 | |
| | 317400 | HXR1-D 160/240 R | 171.0 | 45.2 | 162.5 | 42.9 | 240 | 3480 | 100.0 | 74.5 | 181.0 | |
| | 317100 | HXR1-D 200/200 R | 211.1 | 55.8 | 206.0 | 54.4 | 200 | 2900 | 105.7 | 78.8 | 181.0 | |
| | 316800 | HXR1-D 250/160 R | 267.2 | 70.6 | 260.0 | 68.7 | 160 | 2320 | 106.8 | 79.6 | 181.0 | |
| | 316500 | HXR1-D 310/130 R | 330.0 | 87.2 | 323.3 | 85.4 | 130 | 1885 | 107.8 | 80.4 | 181.0 | |
| | 316200 | HXR1-D 400/100 R | 400.0 | 105.7 | 395.1 | 104.4 | 100 | 1450 | 101.3 | 75.5 | 181.0 | |
| 2200 | 317500 | HXR1-M 135/300 R | 135.1 | 35.7 | 124.5 | 32.9 | 300 | 4350 | 95.8 | 71.4 | 181.0 | |
| | 317200 | HXR1-M 160/240 R | 171.0 | 45.2 | 162.5 | 42.9 | 240 | 3480 | 100.0 | 74.5 | 181.0 | |
| | 316900 | HXR1-M 200/200 R | 211.1 | 55.8 | 206.0 | 54.4 | 200 | 2900 | 105.7 | 78.8 | 181.0 | |
| | 316600 | HXR1-M 250/160 R | 267.2 | 70.6 | 260.0 | 68.7 | 160 | 2320 | 106.8 | 79.6 | 181.0 | |
| | 316300 | HXR1-M 310/130 R | 330.0 | 87.2 | 323.3 | 85.4 | 130 | 1885 | 107.8 | 80.4 | 181.0 | |
| | 316000 | HXR1-M 400/100 R | 400.0 | 105.7 | 395.1 | 104.4 | 100 | 1450 | 101.3 | 75.5 | 181.0 | |

Tutti i modelli di POMPE sono disponibili con Presa di Forza Sinistra (L). Esempio : HXR1-C 135/300 L

All models of PUMPS are available with Left P.T.O. Shaft (L). Example : HXR1-C 135/300 L

Dimensioni d'ingombro (mm) - Overall Dimensions (mm)



In base alle esigenze dell'installatore, il Riduttore può essere installato nelle cinque posizioni 1,2,3,4,5 come illustrato.

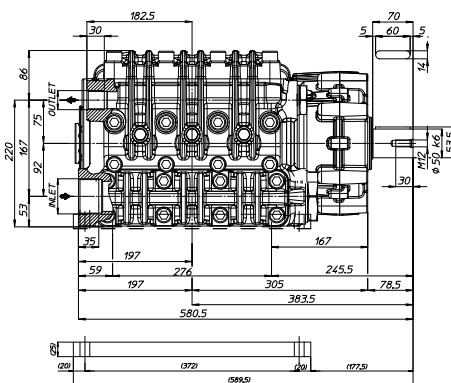
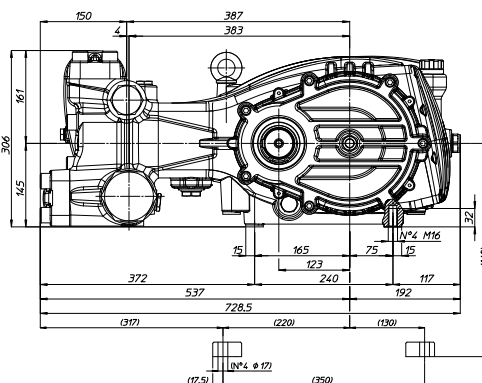
Esempio d'ordine: HXR1-C 135/300 R diventa HXR2-C 135/300 R.

Per informazione su prezzi e codici per favore contattare l'azienda.

Depending on specific needs, the Gearbox can be mounted in five different Positions 1,2,3,4,5 as shown in the following picture.

For example: HXR1-C 135/300 R becomes HXR2-C 135/300 R.

For price and code information please contact us.



| | INLET | OUTLET |
|-----------|-------|--------|
| 135/300 R | G 2" | G 1" |
| 160/240 R | G 2" | G 1" |
| 200/200 R | G 2" | G 1" |

| | INLET | OUTLET |
|-----------|----------|----------|
| 250/160 R | G 2 1/2" | G 1 1/4" |
| 310/130 R | G 2 1/2" | G 1 1/4" |
| 400/100 R | G 2 1/2" | G 1 1/4" |

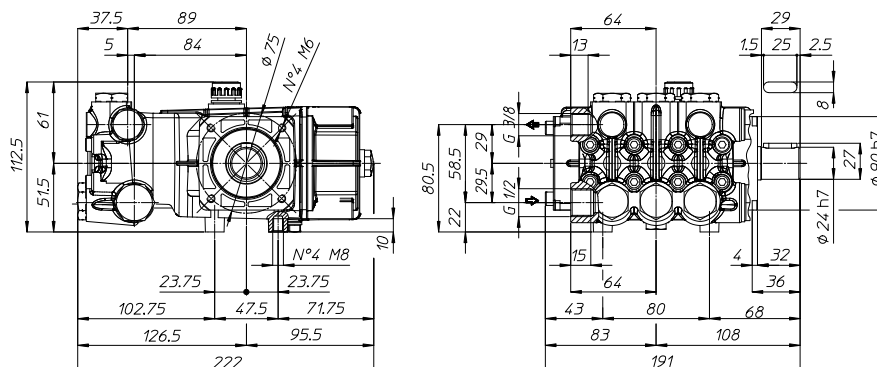


| RPM | CODICE CODE | MODELLO MODEL | PORTATA FLOW | | PRESSIONE PRESSURE | | POTENZA POWER | | PESO WEIGHT | PRESA DI FORZA SHAFT TYPE |
|------|----------------|------------------|-----------------|-----|-----------------------|------|------------------|-----|----------------|---|
| | | | l/min | GPM | bar | PSI | HP | kW | | |
| 1450 | 270600 | PSC 06/15 S | 5.7 | 1.5 | 150 | 2175 | 2.2 | 1.6 | 6.1 | S - Albero MASCHIO 24 mm DX S - MALE Shaft 24 mm RIGHT |
| | 915800 | PSC 11/15 S | 11.0 | 2.9 | 150 | 2175 | 4.2 | 3.1 | 6.1 | |
| | 915900 | PSC 13/15 S | 13.0 | 3.4 | 150 | 2175 | 5.0 | 3.7 | 6.1 | |

Tutti i modelli di POMPE sono disponibili con Presa di Forza Sinistra (L). Esempio : PSC 06/15 S-L

All models of PUMPS are available with Left P.T.O. Shaft (L). Example : PSC 06/15 S-L

Dimensioni d'ingombro (mm) - Overall Dimensions (mm)

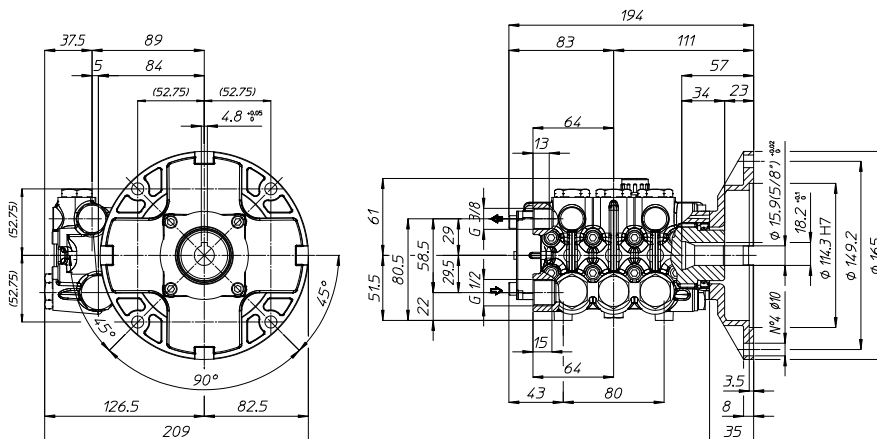




| RPM | CODICE CODE | MODELLO MODEL | PORTATA FLOW | | PRESSIONE PRESSURE | | POTENZA POWER | | PESO WEIGHT | PRESA DI FORZA SHAFT TYPE |
|------|-------------|---------------|--------------|-----|--------------------|------|---------------|-----|-------------|--|
| | | | U/min | GPM | bar | PSI | HP | kW | | |
| 1750 | 700010 | PSD 1.6/15 Z | 6.2 | 1.6 | 100 | 1450 | 1.6 | 1.2 | 6.5 | Z - Albero CAVO 5/8" DX Z - HOLLOW Shaft 5/8" RIGHT |
| | 700011 | PSD 2.4/15 Z | 9.0 | 2.4 | 100 | 1450 | 2.4 | 1.8 | 6.5 | |
| | 700012 | PSD 3.0/15 Z | 11.5 | 3.0 | 100 | 1450 | 3.0 | 2.2 | 6.5 | |
| | 700013 | PSD 3.6/15 Z | 13.5 | 3.6 | 100 | 1450 | 3.4 | 2.5 | 6.5 | |
| | 700014 | PSD 4.2/15 Z | 16.0 | 4.2 | 100 | 1450 | 4.0 | 3.0 | 6.5 | |

Tutti i modelli di POMPE sono disponibili con Presa di Forza Sinistra (L). Esempio : PSD 1.6/15 Z-L
All models of PUMPS are available with Left P.T.O. Shaft (L). Example : PSD 1.6/15 Z-L

Dimensioni d'ingombro (mm) - Overall Dimensions (mm)



CS
AISI 316L



Tutti i modelli di Pompe della Serie CS sono disponibili con certificazione ATEX, su richiesta.

Upon request, all models of CS pumps series are available with ATEX certification.



Tutti i modelli di Pompe della Serie CS sono disponibili anche in versione Alta Temperatura (85° C).

All models of CS Pumps are also available with High Water Temperature (85° C) version.

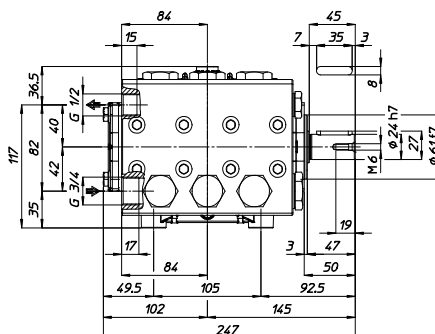
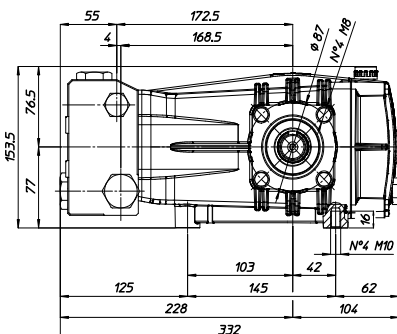
| RPM | CODICE CODE | MODELLO MODEL | PORTATA FLOW | | PRESSIONE PRESSURE | | POTENZA POWER | | PESO WEIGHT | PRESA DI FORZA SHAFT TYPE |
|------|-------------|---------------|--------------|------|--------------------|------|---------------|------|-------------|---|
| | | | l/min | GPM | bar | PSI | HP | kW | | |
| 1450 | 620000 | CSC 27/20 S | 27.0 | 7.1 | 200 | 2900 | 13.8 | 10.3 | 19.0 | S - Albero MASCHIO 24 mm DX S - MALE Shaft 24 mm RIGHT |
| | 620100 | CSC 34/20 S | 34.0 | 9.0 | 200 | 2900 | 17.4 | 13.0 | 19.0 | |
| | 620200 | CSC 42/17 S | 44.0 | 11.6 | 170 | 2465 | 19.2 | 14.3 | 19.4 | |
| | 620300 | CSC 50/15 S | 50.0 | 13.2 | 150 | 2175 | 19.2 | 14.3 | 19.4 | |

- Minimo 0.1 bar (145 PSI) di Pressione in Entrata / Min. 0.1 bar (145 PSI) Inlet Pressure

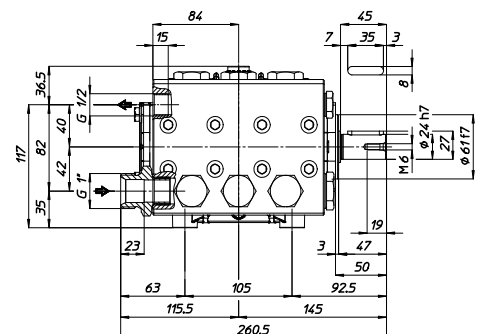
Tutti i modelli di POMPE sono disponibili con Presa di Forza Sinistra (L). Esempio : CSC 27/20 S-L

All models of PUMPS are available with Left P.T.O. Shaft (L). Example : CSC 27/20 S-L

Dimensioni d'ingombro (mm) - Overall Dimensions (mm)



CSC 27/20 S
CSC 34/20 S



CSC 42/17 S
CSC 50/15 S

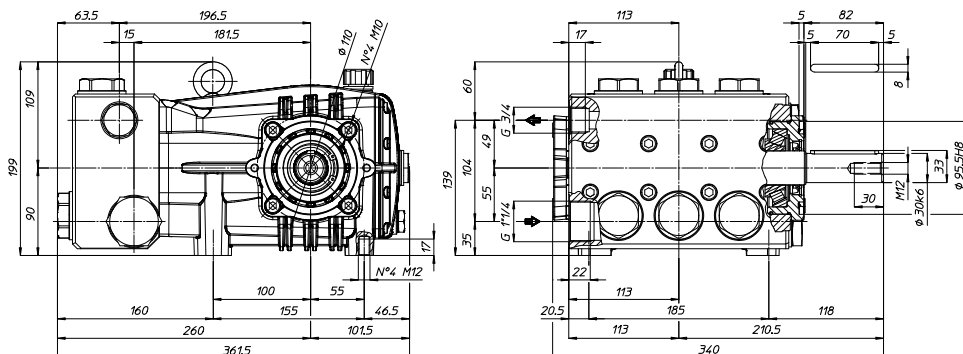


| RPM | CODICE CODE | MODELLO MODEL | PORTATA FLOW | | | | PRESSIONE PRESSURE | | POTENZA POWER | | PESO WEIGHT | PRESA DI FORZA SHAFT TYPE |
|------|-------------|-----------------|--------------|------|-------|------|--------------------|------|---------------|------|-------------|---|
| | | | NOM. | | | | bar | PSI | HP | kW | | |
| | | | l/min | GPM | l/min | GPM | | | | | | |
| 1450 | 876300 | NKS-C 75/170 R | 80.4 | 21.2 | 75.1 | 19.9 | 170 | 2465 | 32.8 | 24.4 | 30.0 | R - Albero MASCHIO 30 mm DX R - MALE Shaft 30 mm RIGHT |
| | 876400 | NKS-C 85/170 R | 91.1 | 24.1 | 85.2 | 22.5 | 170 | 2465 | 37.1 | 27.7 | 30.0 | |
| | 876500 | NKS-C 100/150 R | 104.5 | 27.6 | 100.0 | 26.4 | 150 | 2175 | 38.4 | 28.6 | 30.0 | |

Tutti i modelli di POMPE sono disponibili con Presa di Forza Sinistra (L). Esempio : NKS-C 75/170 L

All models of PUMPS are available with Left P.T.O. Shaft (L). Example : NKS-C 75/170 L

Dimensioni d'ingombro (mm) - Overall Dimensions (mm)



NKS

AISI 316L

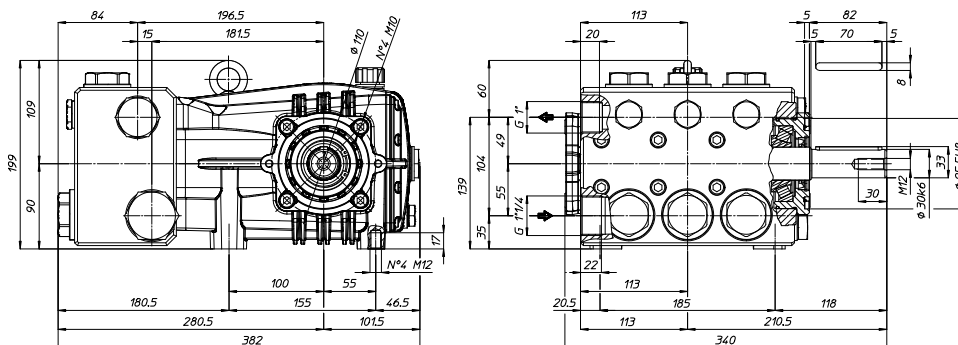


| RPM | CODICE CODE | MODELLO MODEL | PORTATA FLOW | | | | PRESSIONE PRESSURE | | POTENZA POWER | | PESO WEIGHT | PRESA DI FORZA SHAFT TYPE |
|------|-------------|-----------------|--------------|------|-------|------|--------------------|------|---------------|------|-------------|-----------------------------|
| | | | NOM. | | | | bar | PSI | HP | kW | | |
| | | | l/min | GPM | l/min | GPM | | | | | | |
| 1000 | 872100 | NKS-B 100/100 R | 103.8 | 27.4 | 99.2 | 26.2 | 100 | 1450 | 25.4 | 19.0 | 36.1 | R - Albero MASCHIO 30 mm DX |
| 1450 | 879900 | NKS-C 145/100 R | 150.5 | 39.8 | 143.0 | 37.8 | 100 | 1450 | 36.7 | 27.3 | 36.1 | R - MALE Shaft 30 mm RIGHT |

Tutti i modelli di POMPE sono disponibili con Presa di Forza Sinistra (L). Esempio : NKS-B 100/100 L

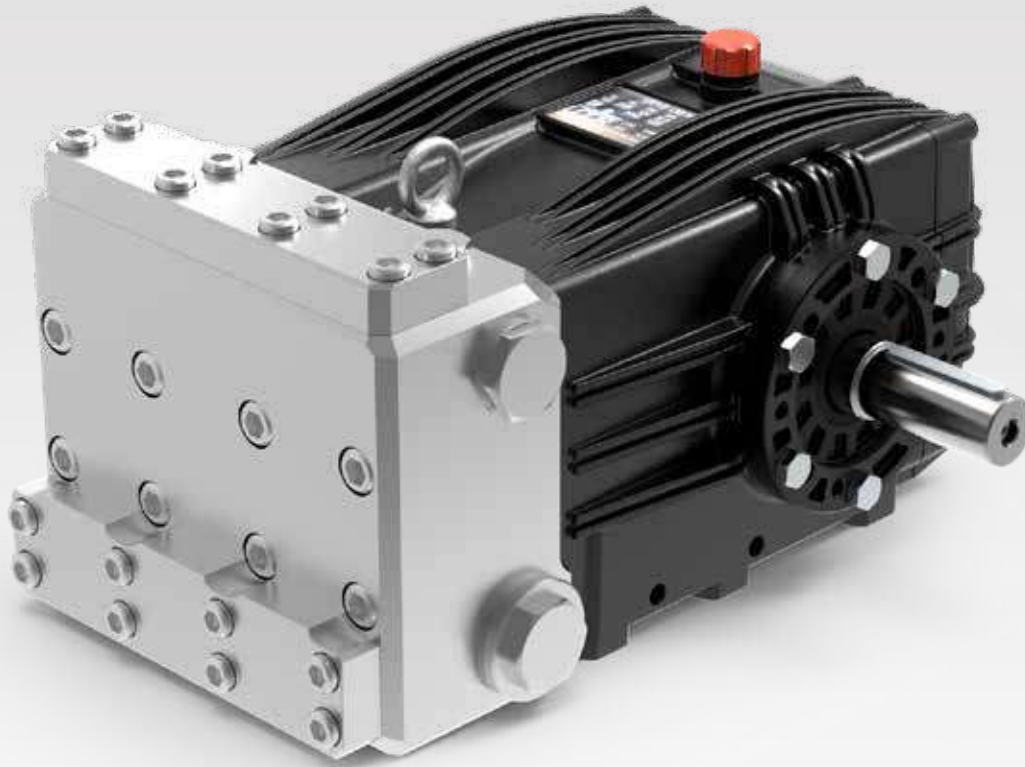
All models of PUMPS are available with Left P.T.O. Shaft (L). Example : NKS-B 100/100 L

Dimensioni d'ingombro (mm) - Overall Dimensions (mm)





VXS
AISI 316L

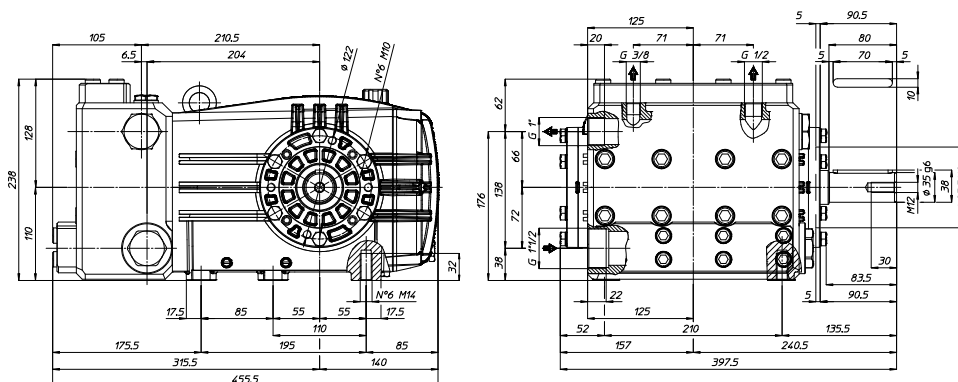


| RPM | CODICE CODE | MODELLO MODEL | PORTATA FLOW | | | | PRESSIONE PRESSURE | | POTENZA POWER | | PESO WEIGHT | PRESA DI FORZA SHAFT TYPE |
|------|-------------|-----------------|--------------|------|-------|------|--------------------|------|---------------|------|-------------|---|
| | | | NOM. | | | | bar | PSI | HP | kW | | |
| | | | l/min | GPM | l/min | GPM | | | | | | |
| 1000 | 818800 | VXS-B 100/200 R | 101.3 | 26.8 | 98.0 | 25.9 | 200 | 2900 | 50.3 | 37.5 | 68.0 | R - Albero MASCHIO 35 mm DX R - MALE Shaft 35 mm RIGHT |
| | 818900 | VXS-B 130/160 R | 128.3 | 33.9 | 124.0 | 32.8 | 160 | 2320 | 50.9 | 38.0 | 68.0 | |
| | 819000 | VXS-B 160/130 R | 158.3 | 41.8 | 155.0 | 41.0 | 130 | 1885 | 51.7 | 38.6 | 68.0 | |

Tutti i modelli di POMPE sono disponibili con Presa di Forza Sinistra (L). Esempio : VXS-B 100/200 L

All models of PUMPS are available with Left P.T.O. Shaft (L). Example : VXS-B 100/200 L

Dimensioni d'ingombro (mm) - Overall Dimensions (mm)



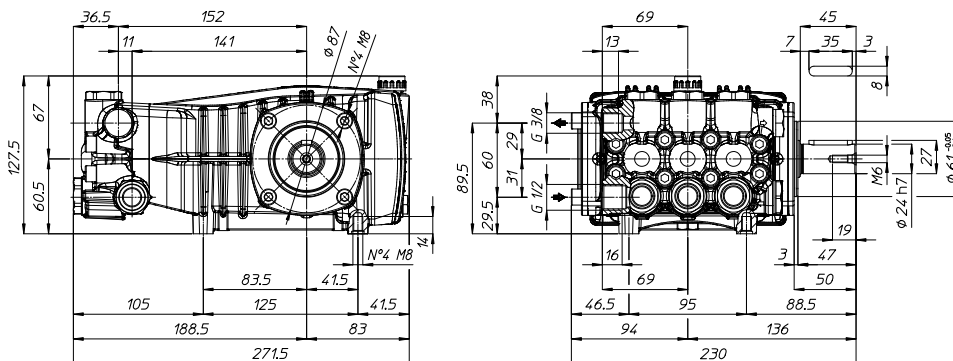


| RPM | CODICE CODE | MODELLO MODEL | PORTATA FLOW | | PRESSIONE PRESSURE | | POTENZA POWER | | PESO WEIGHT | PRESA DI FORZA SHAFT TYPE |
|------|-------------|---------------|--------------|-----|--------------------|------|---------------|-----|-------------|---|
| | | | NOM. | | bar | PSI | HP | kW | | |
| | | | l/min | GPM | | | | | | |
| 1450 | 426900 | BCWC 13/20 S | 13.0 | 3.4 | 200 | 2900 | 6.7 | 5.0 | 9.5 | S - Albero MASCHIO 24 mm DX S - MALE Shaft 24 mm RIGHT |
| | 428200 | BCWC 15/20 S | 15.0 | 4.0 | 200 | 2900 | 7.7 | 5.7 | 9.5 | |
| | 428300 | BCWC 18/20 S | 18.5 | 4.9 | 200 | 2900 | 9.5 | 7.1 | 9.5 | |
| | 428400 | BCWC 21/20 S | 21.0 | 5.5 | 200 | 2900 | 10.8 | 8.1 | 9.5 | |

Tutti i modelli di POMPE sono disponibili con Presa di Forza Sinistra (L). Esempio : BCWC 13/20 S-L

All models of PUMPS are available with Left P.T.O. Shaft (L). Example : BCWC 13/20 S-L

Dimensioni d'ingombro (mm) - Overall Dimensions (mm)



BWT

HIGH WATER TEMPERATURE 85°C



Tutti i modelli di Pompe della Serie BWT sono disponibili con certificazione ATEX, su richiesta.

Upon request, all models of BWT pumps series are available with ATEX certification.

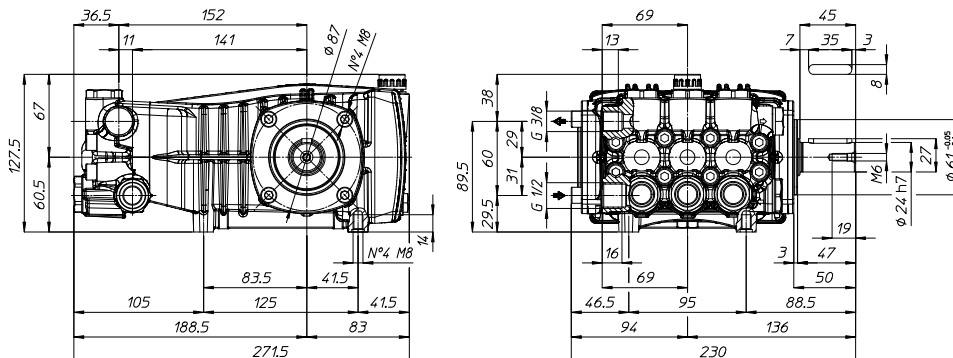


| RPM | CODICE CODE | MODELLO MODEL | PORTATA FLOW | | PRESSIONE PRESSURE | | POTENZA POWER | | PESO WEIGHT | PRESA DI FORZA SHAFT TYPE |
|------|-------------|---------------|--------------|-----|--------------------|------|---------------|-----|-------------|---|
| | | | l/min | GPM | bar | PSI | HP | kW | | |
| 1450 | 429700 | BWTC 15/20 S | 15.0 | 4.0 | 200 | 2900 | 7.7 | 5.7 | 9.4 | S - Albero MASCHIO 24 mm DX S - MALE Shaft 24 mm RIGHT |
| | 429600 | BWTC 18/20 S | 18.5 | 4.9 | 200 | 2900 | 9.5 | 7.1 | 9.4 | |
| | 429500 | BWTC 21/20 S | 21.0 | 5.5 | 200 | 2900 | 10.8 | 8.1 | 9.4 | |

Tutti i modelli di POMPE sono disponibili con Presa di Forza Sinistra (L). Esempio: BWTC 15/20 S-L

All models of PUMPS are available with Left P.T.O. Shaft (L). Example: BWTC 15/20 S-L

Dimensioni d'ingombro (mm) - Overall Dimensions (mm)





| RPM | CODICE CODE | MODELLO MODEL | PORTATA FLOW | | PRESSIONE PRESSURE | | POTENZA POWER | | VOLTAGGIO VOLTAGE | ACCOPIAMENTO COUPLING |
|--------|----------------|----------------|--------------|------|--------------------|------|---------------|-----------|-------------------|-----------------------|
| | | | l/min | GPM | bar | PSI | HP | kW | | |
| 1450 | 497700 | ED-PNC 11/11 S | 11.0 | 2.9 | 110 | 1595 | 3.0 | 2.2 | 230 | DIRETTO DIRECT |
| | 498000 | ED-PNC 11/11 S | 11.0 | 2.9 | 110 | 1595 | 3.0 | 2.2 | 230 - 400 | |
| | 497900 | ED-PNC 13/12 S | 13.0 | 3.4 | 120 | 1740 | 4.0 | 3.0 | 230 - 400 | |
| | 260300 | ED-PKC 15/15 S | 15.0 | 4.0 | 150 | 2175 | 5.5 | 4.1 | 230 - 400 | |
| | 970900 | ED-BC 15/15 S | 15.0 | 4.0 | 150 | 2175 | 5.5 | 4.1 | 230 - 400 | |
| | 970600 | ED-BC 15/20 S | 15.0 | 4.0 | 200 | 2900 | 7.5 | 5.6 | 230 - 400 | |
| | 264900 | ED-BC 21/15 S | 21.0 | 5.5 | 140 | 2030 | 7.5 | 5.6 | 230 - 400 | |
| | 970800 | ED-CC 26/20 S | 26.0 | 6.9 | 150 | 2175 | 10.0 | 7.5 | 230 - 400 | |
| | 264000 | ED-CC 30/20 S | 30.0 | 7.9 | 200 | 2900 | 15.0 | 11.2 | 400 - 690 | |
| | 971000 | ED-CC 38/17 S | 38.0 | 10.0 | 170 | 2465 | 15.0 | 11.2 | 400 - 690 | |
| 971100 | ED-CKC 21/30 S | 21.0 | 5.5 | 300 | 4350 | 15.0 | 11.2 | 400 - 690 | | |

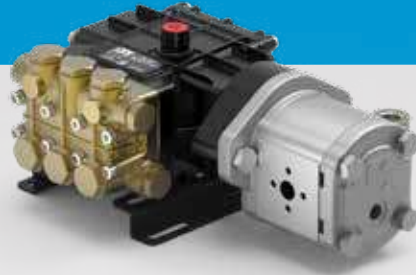


| RPM | CODICE CODE | MODELLO MODEL | PORTATA FLOW | | PRESSIONE PRESSURE | | POTENZA POWER | | VOLTAGGIO VOLTAGE | ACCOPIAMENTO COUPLING |
|------|-------------|----------------|--------------|------|--------------------|------|---------------|------|-------------------|---|
| | | | l/min | GPM | bar | PSI | HP | kW | | |
| 1450 | 264100 | EF-CC 30/20 S | 30.0 | 7.9 | 200 | 2900 | 15.0 | 11.2 | 400 - 690 | FLANGIA + GIUNTO ELASTICO FLANGE + FLEXIBLE COUPLING |
| | 970700 | EF-CC 38/17 S | 38.0 | 10.0 | 170 | 2465 | 15.0 | 11.2 | 400 - 690 | |
| | 971300 | EF-CKC 17/36 S | 17.0 | 4.5 | 350 | 5075 | 15.0 | 11.2 | 400 - 690 | |
| | 971200 | EF-CKC 21/30 S | 21.0 | 5.5 | 300 | 4350 | 15.0 | 11.2 | 400 - 690 | |
| | 971400 | EF-CKC 21/36 S | 21.0 | 5.5 | 350 | 5075 | 20.0 | 15.0 | 400 - 690 | |
| | 264300 | EF-CHC 16/50 S | 16.0 | 4.2 | 500 | 7250 | 20.0 | 15.0 | 400 - 690 | |



| TIPI MOTORE MOTOR TYPE | CODICE CODE | MODELLO MODEL | PORTATA FLOW | | PRESSIONE PRESSURE | | POTENZA POWER | | ACCOPIAMENTO COUPLING |
|---------------------------|----------------|------------------|-----------------|-----|-----------------------|------|------------------|-----|--------------------------|
| | | | L/min | GPM | bar | PSI | HP | kW | |
| Honda | 464800 | MD-PNL 3.0/20 T | 11.4 | 3.0 | 140 | 2030 | 5.5 | 4.1 | DIRETTO |
| Briggs & Stratton | 464700 | MD-PNL 3.0/20 T | 11.4 | 3.0 | 140 | 2030 | 5.0 | 3.7 | DIRECT |

| TIPI MOTORE MOTOR TYPE | CODICE CODE | MODELLO MODEL | PORTATA FLOW | | PRESSIONE PRESSURE | | POTENZA POWER | | ACCOPIAMENTO COUPLING |
|---------------------------|----------------|------------------|-----------------|-----|-----------------------|------|------------------|------|---|
| | | | L/min | GPM | bar | PSI | HP | kW | |
| Honda | 473100 | MR-BC 15/15 S | 15.0 | 4.0 | 150 | 2175 | 8.0 | 6.0 | ACCOPIAMENTO CON RIDUTTORE GEAR BOX COUPLING |
| Briggs & Stratton | 473200 | MR-BC 15/15 S | 15.0 | 4.0 | 150 | 2175 | 9.0 | 6.8 | |
| Honda | 473300 | MR-BC 15/20 S | 15.0 | 4.0 | 200 | 2900 | 11.0 | 8.2 | |
| Briggs & Stratton | 473400 | MR-BC 15/20 S | 15.0 | 4.0 | 200 | 2900 | 11.0 | 8.2 | |
| Briggs & Stratton | 473500 | MR-CC 26/20 S | 26.0 | 6.9 | 200 | 2900 | 16.0 | 11.9 | |



| RPM | CODICE CODE | MODELLO MODEL | PORTATA FLOW | | PRESSIONE PRESSURE | | POTENZA POWER | | TIPO MOTORE IDRAULICO HYDRAULIC MOTOR TYPE | PRESSIONE IMPIANTO OLIO OIL PRESSURE REQUIRED | | CONSUMO OLIO OIL FLOW REQUIRED | |
|------|---------------|------------------------------|--------------|-----|--------------------|------|---------------|------|--|---|------|--------------------------------|------|
| | | | l/min | GPM | bar | PSI | HP | kW | | bar | PSI | l/min | GPM |
| 1750 | 780500 | HYP-PND 4.0/20 T + HGM 11.2 | 15.0 | 4.0 | 140 | 2030 | 5.4 | 4.0 | GEAR 11.2 cc - SAE "A" | 135 | 1960 | 19.6 | 5.2 |
| 1450 | 787600 | HYP-BC 15/20 T MI + HGM 25 | 15.0 | 4.0 | 200 | 2900 | 7.7 | 5.7 | GEAR 25 cc - SAE "A" | 105 | 1525 | 39.9 | 10.5 |
| 1450 | 787900 | HYP-CC 30/20 T MI + HGM 31.5 | 30.0 | 7.9 | 200 | 2900 | 15.4 | 11.5 | GEAR 31.5 cc - SAE "A" | 170 | 2465 | 49.9 | 13.2 |



| RPM | CODICE CODE | MODELLO MODEL | PORTATA FLOW | | PRESSIONE PRESSURE | | POTENZA POWER | | TIPO MOTORE IDRAULICO HYDRAULIC MOTOR TYPE | PRESSIONE IMPIANTO OLIO OIL PRESSURE REQUIRED | | CONSUMO OLIO OIL FLOW REQUIRED | |
|------|---------------|-----------------------------|--------------|------|--------------------|------|---------------|------|--|---|------|--------------------------------|------|
| | | | l/min | GPM | bar | PSI | HP | kW | | bar | PSI | l/min | GPM |
| 1450 | 787000 | HYP-MI-CKC 50/20 S + HGM 51 | 50.0 | 13.2 | 200 | 2900 | 25.6 | 19.1 | GEAR 51 cc - SAE "B" | 180 | 2610 | 75.1 | 19.8 |

Tutti i modelli di Pompe Serie B - BS - BCW - BWT - BK - C - CS - CWT - CK - CX - CH possono essere forniti con Motore Idraulico, accoppiati tra loro mediante Flangia e Giunto.
 All B - BS - BCW - BWT - BK - C - CS - CWT - CK - CX - CH Pump Models are available with Hydraulic Motor, coupled through Bell housing and Coupling.



| RPM | CODICE CODE | MODELLO MODEL | PORTATA FLOW | | PRESSIONE PRESSURE | | POTENZA POWER | | TIPO MOTORE IDRAULICO HYDRAULIC MOTOR TYPE | PRESSIONE IMPIANTO OLIO OIL PRESSURE REQUIRED | | CONSUMO OLIO OIL FLOW REQUIRED | |
|------|---------------|--------------------------------|--------------|------|--------------------|------|---------------|------|--|---|------|--------------------------------|------|
| | | | l/min | GPM | bar | PSI | HP | kW | | bar | PSI | l/min | GPM |
| 1450 | 920034 | HYP-NK-C 75/170 R MI + HGM 73 | 75.1 | 19.9 | 170 | 2465 | 32.8 | 24.4 | GEAR 73 CC - SAE "B" | 140 | 2030 | 111.5 | 29.4 |
| 1450 | 920067 | HYP-NK-C 100/150 R MI + HPM 47 | 100.0 | 26.4 | 150 | 2175 | 38.4 | 28.6 | PISTON 47 CC - SAE "B" | 266 | 3875 | 70.3 | 18.6 |
| 1450 | 920068 | HYP-NK-C 145/100 R MI + HPM 64 | 143.0 | 37.8 | 100 | 1450 | 36.7 | 27.3 | PISTON 64 CC - SAE "B" | 183 | 2654 | 95.7 | 25.3 |

Su richiesta, disponibili altri modelli NK con Motore Idraulico.
 More NK models with Hydraulic Motor, available on request.



| RPM | CODICE CODE | MODELLO MODEL | PORTATA FLOW | | PRESSIONE PRESSURE | | POTENZA POWER | | TIPO MOTORE IDRAULICO HYDRAULIC MOTOR TYPE | PRESSIONE IMPIANTO OLIO OIL PRESSURE REQUIRED | | CONSUMO OLIO OIL FLOW REQUIRED | |
|------|-------------|---------------------------------|--------------|------|--------------------|------|---------------|------|--|---|------|--------------------------------|------|
| | | | l/min | GPM | bar | PSI | HP | kW | | bar | PSI | l/min | GPM |
| 1000 | 920043 | HYP-VX-B 100/200 R MI + HPM 108 | 98.0 | 25.9 | 200 | 2900 | 50.3 | 37.5 | PISTON 108 cc - SAE "C" | 219 | 3181 | 110.6 | 29.2 |
| 1000 | 920044 | HYP-VX-B 130/160 R MI + HGM 109 | 125.0 | 33.0 | 160 | 2320 | 51.3 | 38.3 | GEAR 109 cc - SAE "C" | 222 | 3225 | 117.8 | 31.1 |
| 1000 | 920047 | HYP-VX-B 160/130 R MI + HPM 84 | 157.0 | 41.5 | 130 | 1885 | 52.3 | 39.0 | PISTON 84 cc - SAE "C" | 300 | 4348 | 86.8 | 22.9 |

Su richiesta, disponibili altri modelli VX con Motore Idraulico.
More VX models with Hydraulic Motor, available on request.



| RPM | CODICE CODE | MODELLO MODEL | PORTATA FLOW | | PRESSIONE PRESSURE | | POTENZA POWER | | TIPO MOTORE IDRAULICO HYDRAULIC MOTOR TYPE | PRESSIONE IMPIANTO OLIO OIL PRESSURE REQUIRED | | CONSUMO OLIO OIL FLOW REQUIRED | |
|------|-------------|----------------------------------|--------------|------|--------------------|------|---------------|------|--|---|------|--------------------------------|------|
| | | | l/min | GPM | bar | PSI | HP | kW | | bar | PSI | l/min | GPM |
| 1000 | 920058 | HYP-VXX-B 130/220 R MI + HGM 109 | 125.0 | 33.0 | 165 | 2393 | 52.9 | 39.4 | GEAR 109 cc - SAE "C" | 229 | 3319 | 118.1 | 31.2 |
| 1000 | 422912 | HYP-VXX-B 200/150 R MI + HPM 130 | 199.0 | 52.6 | 135 | 1957 | 68.9 | 51.3 | PISTON 130 cc - SAE "C" | 254 | 3686 | 132.5 | 35.0 |
| 1200 | 920063 | HYP-VXX-F 230/140 R MI + HPM 108 | 226.0 | 59.7 | 140 | 2030 | 81.1 | 60.5 | PISTON 108 cc - SAE "C" | 292 | 4239 | 132.9 | 35.1 |

Su richiesta, disponibili altri modelli VXX con Motore Idraulico.
More VXX models with Hydraulic Motor, available on request.



| RPM | CODICE CODE | MODELLO MODEL | PORTATA FLOW | | PRESSIONE PRESSURE | | POTENZA POWER | | TIPO MOTORE IDRAULICO HYDRAULIC MOTOR TYPE | PRESSIONE IMPIANTO OLIO OIL PRESSURE REQUIRED | | CONSUMO OLIO OIL FLOW REQUIRED | |
|------|-------------|-----------------------------------|--------------|-------|--------------------|------|---------------|------|--|---|------|--------------------------------|------|
| | | | l/min | GPM | bar | PSI | HP | kW | | bar | PSI | l/min | GPM |
| 1500 | 920064 | HYP-HXRI-C 135/300 R MI + HGM 109 | 124.5 | 32.9 | 245 | 3553 | 78.2 | 58.3 | GEAR 109 cc - SAE "C" | 229 | 3325 | 174.4 | 46.1 |
| 1500 | 920065 | HYP-HXRI-C 250/160 R MI + HPM 108 | 260.0 | 68.7 | 160 | 2320 | 106.8 | 79.6 | PISTON 108 cc - SAE "C" | 310 | 4496 | 165.7 | 43.8 |
| 1500 | 920066 | HYP-HXRI-D 400/100 R MI + HPM 130 | 395.1 | 104.4 | 100 | 1450 | 101.3 | 75.5 | PISTON 130 cc - SAE "C" | 237 | 3437 | 201.0 | 53.1 |

Su richiesta, disponibili altri modelli HXRI con Motore Idraulico.
More HXRI models with Hydraulic Motor, available on request.



- **RIDUTTORI**
GEAR BOXES
- **ACCOPIAMENTI**
MOUNTING OPTIONS
- **VALVOLE DI REGOLAZIONE**
PRESSURE REGULATORS
- **VALVOLE DI MASSIMA**
RELIEF VALVES
- **ACCESSORI**
ACCESSORIES

**RIDUTTORI PER
MOTORI A SCOPPIO**
GEAR BOXES FOR
GASOLINE /DIESEL ENGINES



| CODICE CODE | MODELLO MODEL | POMPE SERIE PUMP SERIES | POTENZA MAX MAX POWER | | RAPPORTO RIDUZIONE REDUCTION RATIO | QUANTITÀ OLIO OIL QUANTITY | ALBERO MOTORE ENGINE SHAFT | |
|----------------|------------------|----------------------------|--------------------------|-----|---|----------------------------------|-------------------------------|------|
| | | | HP | kW | | | mm | In. |
| 5055E7 | RP 123 | PN - PS | 6.0 | 4.5 | 2.3 : 1 | 0.22 | 19.05 | 3/4" |
| 5037C1 | SI 123 | PK - PKWT | 6.0 | 4.5 | 2.3 : 1 | 0.22 | 19.05 | 3/4" |



| CODICE CODE | MODELLO MODEL | POMPE SERIE PUMP SERIES | POTENZA MAX MAX POWER | | RAPPORTO RIDUZIONE REDUCTION RATIO | QUANTITÀ OLIO OIL QUANTITY | ALBERO MOTORE ENGINE SHAFT | |
|----------------|------------------|--|--------------------------|------|---|----------------------------------|-------------------------------|-------|
| | | | HP | kW | | | mm | In. |
| 5119L2 | RC 122K25 | B - BS - BCW - BWT - BK - C - CH - CS - CWT - CK | 22.0 | 16.4 | 2.176 : 1 | 0.32 | 25.0 | 0.98" |
| 5119H3 | RC 122K/1" | B - BS - BCW - BWT - BK - C - CH - CS - CWT - CK | 22.0 | 16.4 | 2.176 : 1 | 0.32 | 25.4 | 1" |
| 5119H2 | RC 122K/1"1/8 | B - BS - BCW - BWT - BK - C - CH - CS - CWT - CK - CX | 22.0 | 16.4 | 2.176 : 1 | 0.32 | 28.6 | 1"1/8 |
| 5120H2 | RC 122X/1"1/8 | B - BS - BCW - BWT - BK - C - CH - CS - CWT - CK - CX | 31.0 | 23.0 | 2.176 : 1 | 0.32 | 28.6 | 1"1/8 |



| CODICE CODE | MODELLO MODEL | POMPE SERIE PUMP SERIES | POTENZA MAX MAX POWER | | RAPPORTO RIDUZIONE REDUCTION RATIO | QUANTITÀ OLIO OIL QUANTITY | ALBERO MOTORE ENGINE SHAFT | |
|----------------|---|----------------------------|--------------------------|----|---|----------------------------------|-------------------------------|--------|
| | | | HP | kW | | | mm | In. |
| 5122G8 | RNK 122 1"1/8 KH Kohler | NK - NKS - NH | 40.0 | 30 | 2.176 : 1 | 0.45 | 28.6 | 1"1/8 |
| 5121G8 | RNK 122 1"1/8 Briggs & Stratton / Honda | NK - NKS - NH | 40.0 | 30 | 2.176 : 1 | 0.45 | 28.6 | 1"1/8 |
| 5122G9 | RNK 122 1"7/16 KH Kohler | NK - NKS - NH | 40.0 | 30 | 2.176 : 1 | 0.45 | 36.5 | 1"7/16 |
| 5121G9 | RNK 122 1"7/16 Briggs & Stratton / Honda | NK - NKS - NH | 40.0 | 30 | 2.176 : 1 | 0.45 | 36.5 | 1"7/16 |



| CODICE CODE | MODELLO MODEL | POMPE SERIE PUMP SERIES | POTENZA MAX MAX POWER | | RAPPORTO RIDUZIONE REDUCTION RATIO | QUANTITÀ OLIO OIL QUANTITY | ALBERO MOTORE ENGINE SHAFT | |
|----------------|------------------|----------------------------|--------------------------|------|---|----------------------------------|-------------------------------|-----|
| | | | HP | kW | | | mm | In. |
| 510006 | S164 - G62 | GAMMA 62 TS GR | 16.0 | 12.0 | 6.4 : 1 | 0.51 | 25.4 | 1" |

**RIDUTTORI PER
 MOTORI A SCOPPIO**
**GEAR BOXES FOR
 GASOLINE /DIESEL ENGINES**


| CODICE CODE | MODELLO MODEL | POMPE SERIE PUMP SERIES | POTENZA MAX MAX POWER | | RAPPORTO RIDUZIONE REDUCTION RATIO | QUANTITÀ OLIO OIL QUANTITY | ALBERO MOTORE ENGINE SHAFT | |
|----------------|------------------|----------------------------|--------------------------|------|---|----------------------------------|-------------------------------|-------|
| | | | HP | kW | | | L. | mm |
| 5117H2 | RV 115-35 | PENTA - VX - VH - VY | 60.0 | 44.8 | 148 : 1 | 0.6 | 40.0 | 1.57" |
| 5117H3 | RV 118-35 | PENTA - VX - VH - VY | 60.0 | 44.8 | 182 : 1 | 0.6 | 40.0 | 1.57" |
| 5117H4 | RV 122-35 | PENTA - VX - VH - VY | 60.0 | 44.8 | 2,21 : 1 | 0.6 | 40.0 | 1.57" |
| 5117H5 | RV 115-40 | VXX | 75.0 | 56.0 | 148 : 1 | 0.6 | 40.0 | 1.57" |
| 5117H6 | RV 118-40 | VXX | 75.0 | 56.0 | 182 : 1 | 0.6 | 40.0 | 1.57" |
| 5117H7 | RV 122-40 | VXX | 75.0 | 56.0 | 2,21 : 1 | 0.6 | 40.0 | 1.57" |

**MOLTIPLICATORI
 PER P.D.F. TRATTORE**
**P.T.O. MULTIPLIER
 GEAR BOXES**


| CODICE CODE | MODELLO MODEL | POMPE SERIE PUMP SERIES | POTENZA MAX MAX POWER | | RAPPORTO RIDUZIONE REDUCTION RATIO | QUANTITÀ OLIO OIL QUANTITY | ALBERO MOTORE ENGINE SHAFT |
|----------------|------------------|----------------------------|--------------------------|------|---|----------------------------------|--|
| | | | HP | kW | | | |
| 5102G2 | MTP 125 | C - CS - CW - CK - CX - CH | 27.0 | 20.0 | 1 : 2,5 | 0.35 | Scanatalo / Splined 1 3/8 SAE A DIN 9611A |

GIUNTI ELASTICI FLEXIBLE COUPLINGS



| CODICE CODE | MODELLO MODEL | POMPE SERIE PUMP SERIES | POTENZA MAX MAX POWER | | ALBERO MOTORE ENGINE SHAFT | | DESCRIZIONE DESCRIPTION |
|----------------|------------------|---|--------------------------|-----|-------------------------------|--------|--|
| | | | HP | kW | mm | In. | |
| 063225 | J10-D24X24 | PN-P5 | 2 | 1,5 | 24 | 0.944" | Giunto Elastico 2HP 24x24 Flexible Coupling 2HP 24x28 |
| 063228 | J15-24X28 | PN -P5 - B - B5 - BCW - BWT - BK - C - CS - CWT - CK - CX - CH | 5 | 4 | 28 | 1.102" | Giunto Elastico 5HP 24x28 Flexible Coupling 5HP 24x28 |
| 063248 | J15-24X28 - PK | PK | 5 | 4 | 28 | 1.102" | Giunto Elastico 5HP 24x28 Flexible Coupling 5HP 24x28 |
| 063229 | J15-24X1"1/8 | B - B5 - BCW - BWT - BK - C - CS - CWT - CK - CX - CH | 7 | 5,5 | 28.6 | 1"1/8 | Giunto Elastico 7HP 24x1"1/8 Flexible Coupling 15HP 24x1"1/8 |
| 063230 | J15-24X1"3/8 | C - CS - CWT - CK - CX - CH | 15 | 11 | 34.9 | 1"3/8 | Giunto Elastico 15HP 24x1"3/8 Flexible Coupling 15HP 24x1"3/8 |
| 063227 | J15-24X38 | B - B5 - BCW - BWT - BK - C - CS - CWT - CK - CX - CH | 10 | 7,5 | 38 | 1.496" | Giunto Elastico 10HP 24x38 Flexible Coupling 10HP 24x38 |
| 063231 | J20-24X42 | C - CS - CWT - CK - CX - CH | 20 | 15 | 42 | 1.653" | Giunto Elastico 20HP 24x42 Flexible Coupling 20HP 24x42 |
| 063236 | J30-24X48 | C - CS - CWT - CK - CX - CH | 30 | 22 | 48 | 1.890" | Giunto Elastico 30HP 24x48 Flexible Coupling 30HP 24x48 |
| 063255 | J20-30X42 | NK - NKS - NH | 20 | 15 | 42 | 1.653" | Giunto Elastico 20HP 30x42 Flexible Coupling 20HP 30x42 |
| 063256 | J40-30X48 | PENTA - VX - VY | 30 | 22 | 48 | 1.890" | Giunto Elastico 30HP 30x48 Flexible Coupling 30HP 35x48 |
| 063257 | J50-30X55 | NK - NKS - NH | 50 | 37 | 55 | 2.165" | Giunto Elastico 50HP 30x55 Flexible Coupling 50HP 30x55 |
| 063245 | J40-35X48 | PENTA - VX - VX5 - VH - VY | 30 | 22 | 48 | 1.890" | Giunto Elastico 30HP 35x48 Flexible Coupling 30HP 35x48 |
| 063247 | J50-35X55 | PENTA - VX - VX5 - VH - VY | 50 | 37 | 55 | 2.165" | Giunto Elastico 50HP 35x55 Flexible Coupling 50HP 35x55 |

**ACCOPIAMENTI
 DISPONIBILI
 PER MOTORI ELETTRICI**

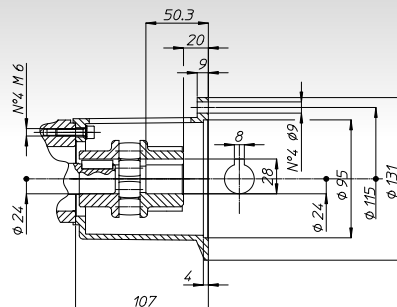

| CODICE CODE | MODELLO MODEL | POMPE SERIE PUMP SERIES | POTENZA MAX MAX POWER | | ALBERO MOTORE ENGINE SHAFT | | DESCRIZIONE DESCRIPTION |
|----------------|------------------|--|--------------------------|-----|-------------------------------|--------|--|
| | | | HP | kW | mm | In. | |
| 052027 | P04 | PN - PS | 2 | 1,5 | 24 | 0,944" | Flangiatura per Motori Elettrici B3/B14 IEC 90 <i>Flange for B3/B14 Electric Motor IEC 90</i> |
| 052005 | P05 | PN - PS | 5 | 4 | 28 | 1.102" | Flangiatura per Motori Elettrici B3/B14 IEC 100/112 <i>Flange for B3/B14 Electric Motor IEC 100/112</i> |
| 052032 | PK08 | PK - PKWT | 5 | 4 | 28 | 1.102" | Flangiatura per Motori Elettrici B3/B14 IEC 100/112 <i>Flange for B3/B14 Electric Motor IEC 100/112</i> |
| 052009 | BC04 | B - BS - BCW - BWT - BK - C - CS - CWT - CK - CX - CH | 5 | 4 | 28 | 1.102" | Flangiatura per Motori Elettrici B3/B14 IEC 100/112 <i>Flange for B3/B14 Electric Motor IEC 100/112</i> |
| 052010 | BC05 | B - BS - BCW - BWT - BK - C - CS - CWT - CK - CX - CH | 7 | 5,5 | 28,6 | 1 1/8 | Flangiatura per Motori Elettrici NEMA 182T/184T <i>Flange for Electric Motor NEMA 182T/184T</i> |
| 052021 | BC10 | B - BS - BCW - BWT - BK - C - CS - CWT - CK - CX - CH | 10 | 7,5 | 38 | 1,496" | Flangiatura per Motori Elettrici B3/B14 IEC 132 <i>Flange for B3/B14 Electric Motor IEC 132</i> |
| 052043 | C14 | C - CS - CWT - CK - CX - CH | 20 | 15 | 42 | 1,653" | Flangiatura per Motori Elettrici B3/B5 IEC 160 <i>Flange for B3/B5 Electric Motor IEC 160</i> |
| 052047 | C15 | C - CS - CWT - CK - CX - CH | 30 | 22 | 48 | 1,890" | Flangiatura per Motori Elettrici B3/B5 IEC 180 <i>Flange for B3/B5 Electric Motor IEC 180</i> |
| 052045 | NK01 | NK - NKS - NH | 20 | 15 | 42 | 1,653" | Flangiatura per Motori Elettrici B3/B5 IEC 160 <i>Flange for B3/B5 Electric Motor IEC 160</i> |
| 052044 | NK02 | NK - NKS - NH | 30 | 22 | 48 | 1,890" | Flangiatura per Motori Elettrici B3/B5 IEC 180 <i>Flange for B3/B5 Electric Motor IEC 180</i> |
| 052046 | NK03 | NK - NKS - NH | 50 | 37 | 55 | 2,165" | Flangiatura per Motori Elettrici B3/B5 IEC 200 <i>Flange for B3/B5 Electric Motor IEC 200</i> |
| 052036 | VX01 | PENTA - VX - VXS - VH - VY | 30 | 22 | 48 | 1,890" | Flangiatura per Motori Elettrici B3/B5 IEC 180 <i>Flange for B3/B5 Electric Motor IEC 180</i> |
| 052037 | VX02 | PENTA - VX - VXS - VH - VY | 50 | 37 | 55 | 2,165" | Flangiatura per Motori Elettrici B3/B5 IEC 200 <i>Flange for B3/B5 Electric Motor IEC 200</i> |

**MOUNTING OPTIONS
FOR ELECTRIC MOTORS**

P04

MOTORE ELETTRICO B3/B14 IEC 90
ELECTRIC MOTOR B3/B14 IEC 90

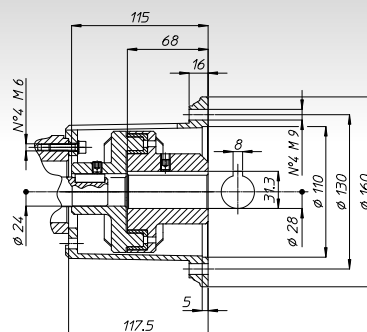
Pompe Serie PN-PS
Pump Series PN-PS



P05

MOTORE ELETTRICO B3/B14 IEC 100/112
ELECTRIC MOTOR B3/B14 IEC 100/112

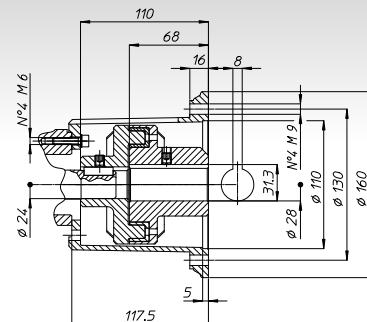
Pompe Serie PN-PS
Pump Series PN-PS



PK08

MOTORE ELETTRICO B3/B14 IEC 100/112
ELECTRIC MOTOR B3/B14 IEC 100/112

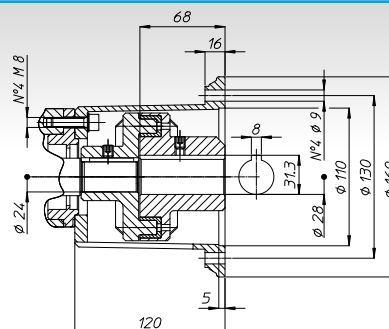
Pompe Serie PK-PKWT
Pump Series PK-PKWT



BC04

MOTORE ELETTRICO B3/B14 IEC 100/112
ELECTRIC MOTOR B3/B14 IEC 100/112

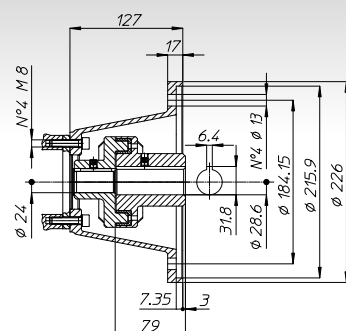
Pompe Serie B-B5-BCW-BWT-BK-C-CS-CWT-CK-CX-CH
Pump Series B-B5-BCW-BWT-BK-C-CS-CWT-CK-CX-CH



BC05

MOTORE ELETTRICO NEMA 182T/184T
ELECTRIC MOTOR NEMA 182T/184T

Pompe Serie B-B5-BCW-BWT-BK-C-CS-CWT-CK-CX-CH
Pump Series B-B5-BCW-BWT-BK-C-CS-CWT-CK-CX-CH

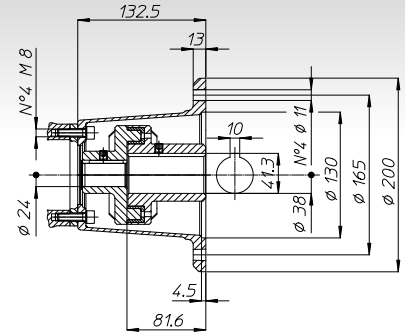


ACCOPIAMENTI
DISPONIBILI
PER MOTORI ELETTRICI

BC10

MOTORE ELETTRICO B3/B14 IEC 132
ELECTRIC MOTOR B3/B14 IEC 132

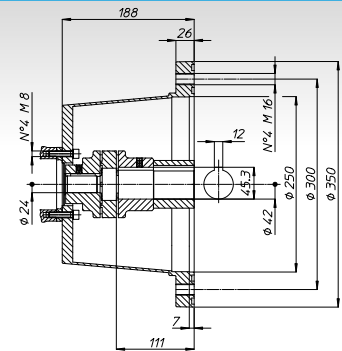
Pompe Serie B-B5-BCW-BWT-BK-C-CS-CWT-CK-CX-CH
Pump Series B-B5-BCW-BWT-BK-C-CS-CWT-CK-CX-CH



C14

MOTORE ELETTRICO B3/B5 IEC 160
ELECTRIC MOTOR B3/B5 IEC 160

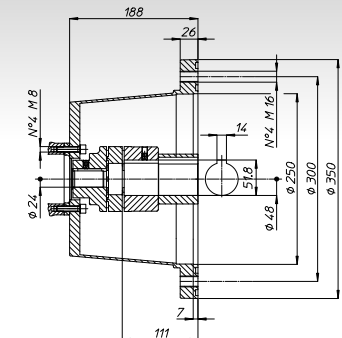
Pompe Serie C-CS-CWT-CK-CX-CH
Pump Series C-CS-CWT-CK-CX-CH



C15

MOTORE ELETTRICO B3/B5 IEC 180
ELECTRIC MOTOR B3/B5 IEC 180

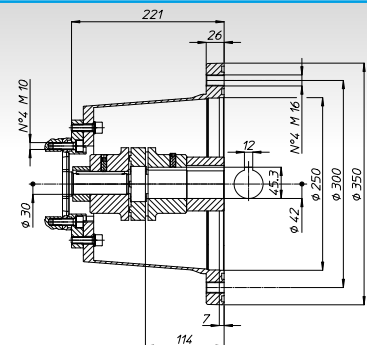
Pompe Serie C-CS-CWT-CK-CX-CH
Pump Series C-CS-CWT-CK-CX-CH



NK01

MOTORE ELETTRICO B3/B5 IEC 160
ELECTRIC MOTOR BB3/B5 IEC 160

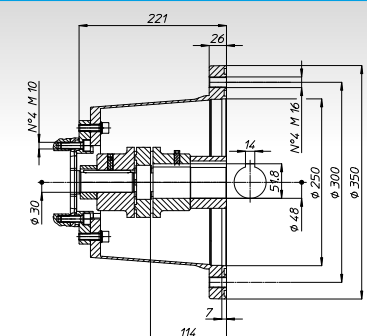
Pompe Serie NK-NH-NKS
Pump Series NK-NH-NKS



NK02

MOTORE ELETTRICO B3/B5 IEC 180
ELECTRIC MOTOR B3/B5 IEC 180

Pompe Serie NK-NH-NKS
Pump Series NK-NH-NKS

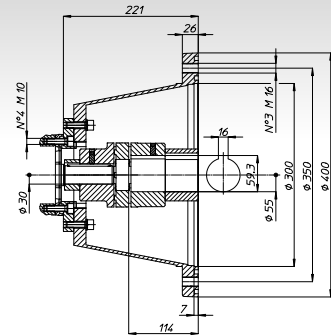


MOUNTING OPTIONS
FOR ELECTRIC MOTORS

NK03

MOTORE ELETTRICO B3/B5 IEC 200
ELECTRIC MOTOR B3/B5 IEC 200

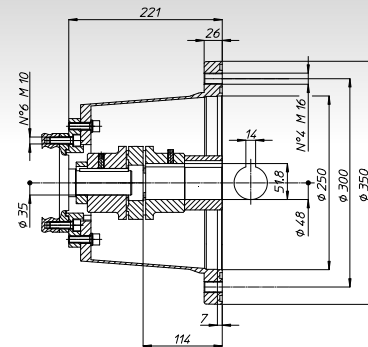
Pompe Serie NK-NH-NKS
Pump Series NK-NH-NKS



VX01

MOTORE ELETTRICO B3/B5 IEC 180
ELECTRIC MOTOR B3/B5 IEC 180

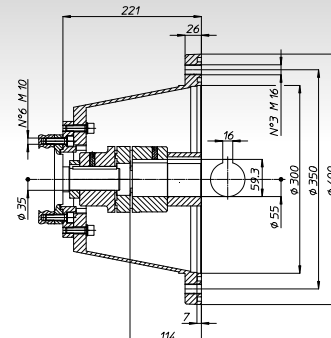
Pompe Serie PENTA-VX-VXS-VH-VY
Pump Series PENTA-VX-VXS-VH-VY



VX02

MOTORE ELETTRICO B3/B5 IEC 200
ELECTRIC MOTOR B3/B5 IEC 200

Pompe Serie PENTA-VX-VXS-VH-VY
Pump Series PENTA-VX-VXS-VH-VY



**ACCOPIAMENTI
DISPONIBILI
PER MOTORI IDRAULICI**

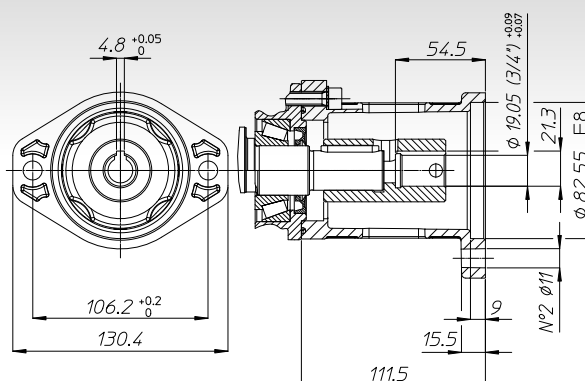
| CODICE CODE | MODELLO MODEL | POMPE SERIE PUMP SERIES | POTENZA MAX MAX POWER | | ALBERO MOTORE ENGINE SHAFT | | DESCRIZIONE DESCRIPTION |
|----------------|------------------|--|--------------------------|----------|--|--------|--|
| | | | HP | kW | mm | In. | |
| 419300 | CI04 | B - BS - BCW - BWT - BK C - CS - CWT - CK - CX - CH | 0 ÷ 10 | 0 ÷ 7.5 | 19,05 | 3/4" | Flangiatura per Motori Idraulici SAE A - 2 Fori <i>Flange for Hydraulic Motors SAE A - 2 Holes</i> |
| 418300 | CI03 | C - CS - CWT - CK - CX - CH | 10 ÷ 26.8 | 7.5 ÷ 20 | 25.4 | 1" | Flangiatura per Motori Idraulici SAE B - 2 Fori <i>Flange for Hydraulic Motors SAE B - 2 Holes</i> |
| 421900 | CI06 | C - CS - CWT - CK - CX - CH | 10 ÷ 26.8 | 7.5 ÷ 20 | Scanalato / <i>Splined</i> 13T-16/32DP | | Flangiatura per Motori Idraulici SAE B - 2 Fori <i>Flange for Hydraulic Motors SAE B - 2 Holes</i> |
| 419100 | GMI01 | GAMMA 62 GAMMA 3P | 0 ÷ 16 | 0 ÷ 12 | 25.4 | 1" | Flangiatura per Motori Idraulici Orbitali SAE A - 2 Fori <i>Flange for Hydraulic Orbital Motors SAE A - 2 Holes</i> |
| 416700 | GMI02 | GAMMA 62 GAMMA 3P | 0 ÷ 16 | 0 ÷ 12 | 25 | 0.984" | Flangiatura per Motori Idraulici Orbitali SAE A - 2 Fori <i>Flange for Hydraulic Orbital Motors SAE A - 2 Holes</i> |
| 419800 | GMI03 | GAMMA 3P GAMMA 6P | 0 ÷ 40 | 0 ÷ 30 | 40 | 1.574" | Flangiatura per Motori Idraulici Orbitali con Flangia Europea 4 Fori <i>Flange for Hydraulic Orbital Motors with European Flange 4 Holes</i> |
| 419200 | PTI01 | PENTA | 0 ÷ 40 | 0 ÷ 30 | Scanalato / <i>Splined</i> 1"3/8 DIN 5462 | | Flangiatura per Motori Idraulici ISO 7653-D - D.80 mm <i>Flange for Hydraulic Orbital Motors ISO 7653-D - D.80 mm</i> |
| 421700 | NKI01 | NK - NKS - NH | 0 ÷ 40 | 0 ÷ 30 | 25.4 | 1" | Flangiatura per Motori Idraulici SAE B - 2 Fori <i>Flange for Hydraulic Motors SAE B - 2 Holes</i> |
| 420900 | VXI01 | VX - VXS - VH - VY - PENTA | 0 ÷ 50 | 0 ÷ 37 | 31.75 | 1"1/4 | Flangiatura per Motori Idraulici SAE C - 2 o 4 Fori <i>Flange for Hydraulic Motors SAE C - 2 or 4 Holes</i> |
| 421800 | VXXI01 | VXX | 0 ÷ 50 | 0 ÷ 37 | 31.75 | 1"1/4 | Flangiatura per Motori Idraulici SAE C - 2 o 4 Fori <i>Flange for Hydraulic Motors SAE C - 2 or 4 Holes</i> |

**MOUNTING OPTIONS
FOR HYDRAULIC
MOTORS**

CI04

MOTORE IDRAULICO SAE A 2 Fori HYDRAULIC MOTOR SAE A 2 Holes

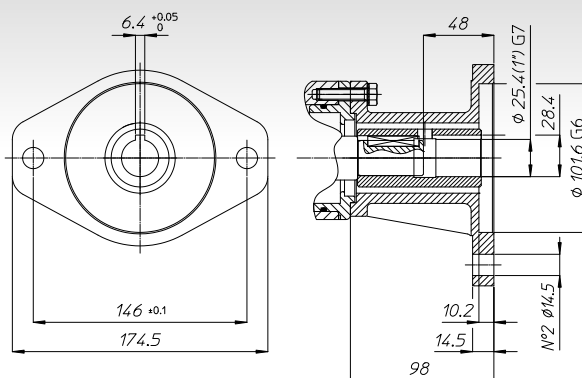
Pompe Serie B - B5 - BCW - BWT - BK
C - CS - CWT - CK - CX - CH
Pump Series B - B5 - BCW - BWT - BK
C - CS - CWT - CK - CX - CH



CI03

MOTORE IDRAULICO SAE B 2 Fori HYDRAULIC MOTOR SAE B 2 Holes

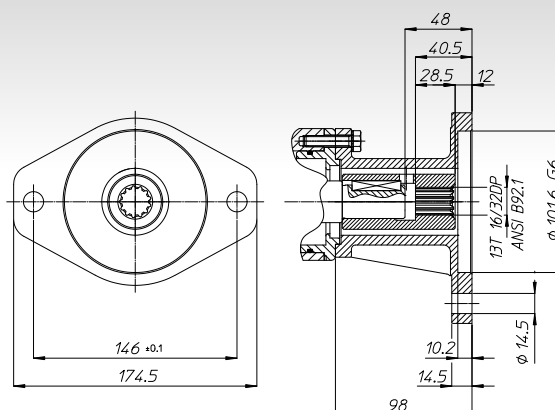
Pompe Serie C - CS - CWT - CK - CX - CH
Pump Series C - CS - CWT - CK - CX - CH



CI06

MOTORE IDRAULICO SAE B 2 Fori HYDRAULIC MOTOR SAE B 2 Holes

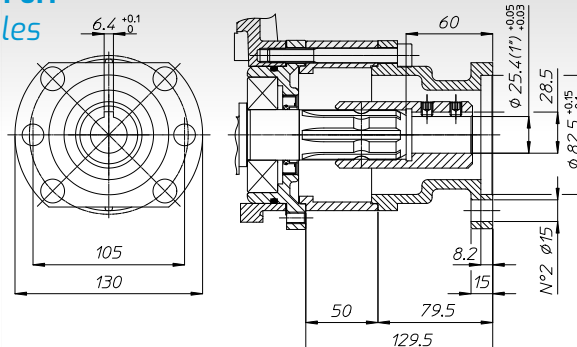
Pompe Serie C - CS - CWT - CK - CH
Pump Series C - CS - CWT - CK - CH



GMI01

MOTORE IDRAULICO ORBITALE SAE A 2 Fori HYDRAULIC ORBITAL MOTOR SAE A 2 Holes

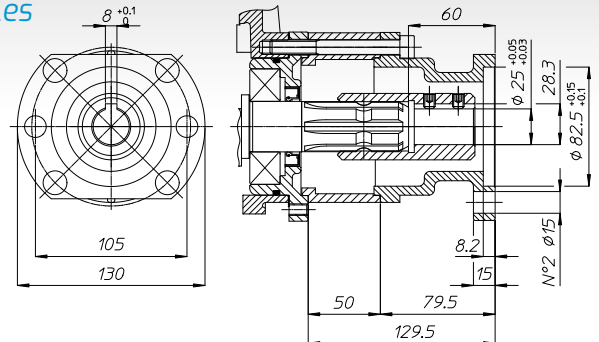
Pompe Serie GAMMA 62 - GAMMA 3P - GAMMA 6P
GAMMA-IL 3P - GAMMA-IL 6P
Pump Series GAMMA 62 - GAMMA 3P-GAMMA 6P
GAMMA-IL 3P - GAMMA-IL 6P



ACCOPIAMENTI
DISPONIBILI
PER MOTORI IDRAULICI

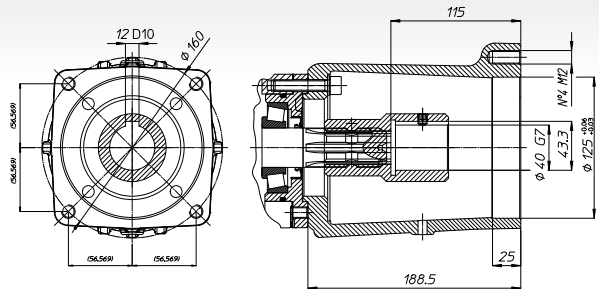
GM102 MOTORE IDRAULICO ORBITALE SAE A 2 Fori
HYDRAULIC ORBITAL MOTOR SAE A 2 Holes

Pompe Serie GAMMA 62 - GAMMA 3P - GAMMA 6P
GAMMA-IL 3P - GAMMA-IL 6P
Pump Series GAMMA 62 - GAMMA 3P - GAMMA 6P
GAMMA-IL 3P - GAMMA-IL 6P



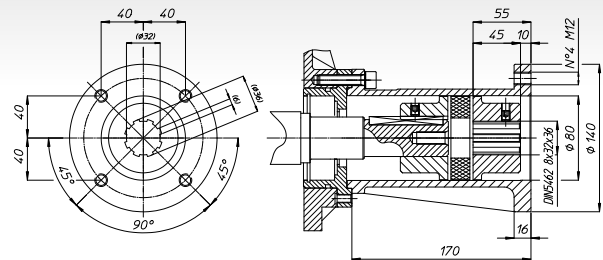
GM103 MOTORE IDRAULICO ORBITALE con FLANGIA EUROPEA 4 Fori
HYDRAULIC ORBITAL MOTOR with EUROPEAN FLANGE 4 Holes

Pompe Serie GAMMA 62 - GAMMA 3P - GAMMA 6P
GAMMA-IL 3P - GAMMA-IL 6P
Pompe Serie GAMMA 62 - GAMMA 3P - GAMMA 6P
GAMMA-IL 3P - GAMMA-IL 6P



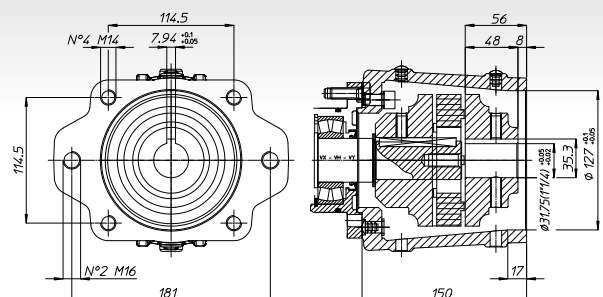
PT101 MOTORE IDRAULICO ISO 7653-D - D.80 mm
HYDRAULIC MOTOR ISO 7653-D - D.80 mm

Pompe Serie PENTA
Pump Series PENTA



VX101 MOTORE IDRAULICO SAE C 2 o 4 Fori
HYDRAULIC MOTOR SAE C 2 or 4 Holes

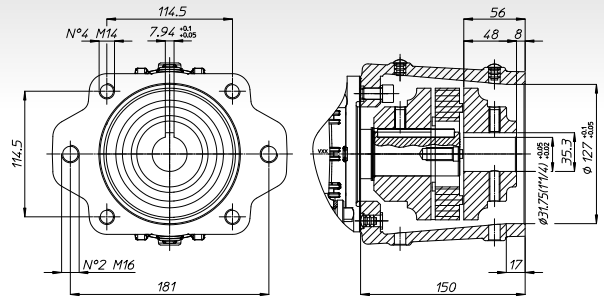
Pompe Serie VX - VXS - VH - VY - PENTA
Pump Series VX - VXS - VH - VY - PENTA



MOUNTING OPTIONS
FOR HYDRAULIC
MOTORS

VXXI01 MOTORE IDRAULICO SAE C 2 o 4 Fori
HYDRAULIC MOTOR SAE C 2 o 4 Holes










Pompe Serie VXX
Pump Series VXX



VALVOLE DI REGOLAZIONE PRESSIONE

| CODICE CODE | MODELLO MODEL | PORTATA FLOW | | PRESSIONE PRESSURE | | DESCRIZIONE DESCRIPTION | | | | |
|----------------|--------------------|-----------------|------|-----------------------|------|--|---------------------------------|-------------------------|-----------------|---------|
| | | l/min | GPM | bar | PSI | | | | | |
| 063666 | UB 17 | 25.0 | 6.6 | 220 | 3190 | Valvola Regolazione con By-Pass Integrato <i>Unloader Valve with Built-In By-Pass</i> | | | | |
| | | | | | | POMPE SERIE <i>PUMP SERIES</i> | PN | ATTACCHI CONNECTIONS | ENTRATA / INLET | G 1/2 F |
| | | | | | | USCITA / OUTLET | | | G 3/8 M | |
| BY-PASS | Interno / Internal | | | | | | | | | |
| 063667 | UBI 17 | 25.0 | 6.6 | 220 | 3190 | Valvola Regolazione con By-Pass Integrato e Iniettore <i>Unloader Valve with Built-In By-Pass with Injector</i> | | | | |
| | | | | | | POMPE SERIE <i>PUMP SERIES</i> | PN | ATTACCHI CONNECTIONS | ENTRATA / INLET | G 1/2 F |
| | | | | | | USCITA / OUTLET | | | G 3/8 M | |
| BY-PASS | Interno / Internal | | | | | | | | | |
| 063647 | UB 20 | 25.0 | 6.6 | 220 | 3190 | Valvola Regolazione con By-Pass Integrato <i>Unloader Valve with Built-In By-Pass</i> | | | | |
| | | | | | | POMPE SERIE <i>PUMP SERIES</i> | PK - PKWT | ATTACCHI CONNECTIONS | ENTRATA / INLET | G 1/2 F |
| | | | | | | USCITA / OUTLET | | | G 3/8 M | |
| BY-PASS | Interno / Internal | | | | | | | | | |
| 063648 | UBI 20 | 25.0 | 6.6 | 220 | 3190 | Valvola Regolazione con By-Pass Integrato e Iniettore <i>Unloader Valve with Built-In By-Pass with Injector</i> | | | | |
| | | | | | | POMPE SERIE <i>PUMP SERIES</i> | PK - PKWT | ATTACCHI CONNECTIONS | ENTRATA / INLET | G 1/2 F |
| | | | | | | USCITA / OUTLET | | | G 3/8 M | |
| BY-PASS | Interno / Internal | | | | | | | | | |
| 063681 | UB 23 | 30.0 | 7.9 | 220 | 3190 | Valvola Regolazione con By-Pass Integrato <i>Unloader Valve with Built-In By-Pass</i> | | | | |
| | | | | | | POMPE SERIE <i>PUMP SERIES</i> | B - BCW - BWT | ATTACCHI CONNECTIONS | ENTRATA / INLET | G 1/2 F |
| | | | | | | USCITA / OUTLET | | | G 3/8 F | |
| BY-PASS | Interno / Internal | | | | | | | | | |
| 063685 | UBI 23 | 30.0 | 7.9 | 220 | 3190 | Valvola Regolazione con By-Passe Integrato Iniettore <i>Unloader Valve with Built-In By-Pass with Injector</i> | | | | |
| | | | | | | POMPE SERIE <i>PUMP SERIES</i> | B - BCW - BWT | ATTACCHI CONNECTIONS | ENTRATA / INLET | G 1/2 F |
| | | | | | | USCITA / OUTLET | | | G 3/8 M | |
| BY-PASS | Interno / Internal | | | | | | | | | |
| 063687 | UB 23K | 30.0 | 7.9 | 280 | 4060 | Valvola Regolazione con By-Passe Integrato <i>Unloader Valve with Built-In By-Pass</i> | | | | |
| | | | | | | POMPE SERIE <i>PUMP SERIES</i> | BK | ATTACCHI CONNECTIONS | ENTRATA / INLET | G 1/2 F |
| | | | | | | USCITA / OUTLET | | | G 3/8 F | |
| BY-PASS | Interno / Internal | | | | | | | | | |
| 063605 | U 251 | 40.0 | 10.5 | 250 | 3625 | Valvola Regolazione con By-Pass <i>Automatic Unloader Valve</i> | | | | |
| | | | | | | POMPE SERIE <i>PUMP SERIES</i> | B - BCW - BWT - C - CWT - CK | ATTACCHI CONNECTIONS | ENTRATA / INLET | G 3/8 F |
| | | | | | | USCITA / OUTLET | | | G 3/8 F | |
| BY-PASS | G 3/8 F | | | | | | | | | |
| 063616 | U 301 | 40.0 | 10.5 | 300 | 4350 | Valvola Regolazione con By-Pass <i>Automatic Unloader Valve</i> | | | | |
| | | | | | | POMPE SERIE <i>PUMP SERIES</i> | BK - CK | ATTACCHI CONNECTIONS | ENTRATA / INLET | G 3/8 F |
| | | | | | | USCITA / OUTLET | | | G 3/8 F | |
| BY-PASS | G 3/8 F | | | | | | | | | |

PRESSURE
REGULATORS

| CODICE CODE | MODELLO MODEL | PORTATA FLOW | | PRESSIONE PRESSURE | | DESCRIZIONE DESCRIPTION | |
|---|----------------------------|-----------------|--|-----------------------|-------------------------|----------------------------|--|
| | | l/min | GPM | bar | PSI | | |
|  | 063629 | U 351 | 40.0 | 10.5 | 350 | 5075 | Valvola Regolazione con By-Pass Automatic Unloader Valve |
| | POMPE SERIE PUMP SERIES | | CK - NK | | ATTACCHI CONNECTIONS | | ENTRATA / INLET G 3/8 M |
| | | | | | | | USCITA / OUTLET G 3/8 F BY-PASS G 1/2 F |
|  | 063645 | U 502 | 80.0 | 21.0 | 500 | 7250 | Valvola Regolazione con By-Pass Automatic Unloader Valve |
| | POMPE SERIE PUMP SERIES | | CH - CX - PENTA VH - NK - NH | | ATTACCHI CONNECTIONS | | ENTRATA / INLET G 1/2 F |
| | | | | | | | USCITA / OUTLET G 1/2 F BY-PASS G1/2 F |
|  | 063660 | UZ 600 | 60.0 | 15.9 | 600 | 8700 | Valvola Regolazione con By-Pass e Azzeramento Pressione Automatic Unloader Valve with Shut off Pressure |
| | POMPE SERIE PUMP SERIES | | CH - CX - PENTA | | ATTACCHI CONNECTIONS | | ENTRATA / INLET G 1/2 F |
| | | | | | | | USCITA / OUTLET G 1/2 F BY-PASS G 1/2 F |
|  | 063679 | UZ 1000 | 40.0 | 10.5 | 1000 | 14500 | Valvola Regolazione con By-Pass e Azzeramento Pressione Automatic Unloader Valve with Shut off Pressure |
| | POMPE SERIE PUMP SERIES | | VV | | ATTACCHI CONNECTIONS | | ENTRATA / INLET G 3/8 F |
| | | | | | | | USCITA / OUTLET G 3/8 F BY-PASS G 3/8 F |
|  | 063654 | U 40/16 | 40.0 | 10.5 | 160 | 2320 | Valvola Regolazione con By-Pass Automatic Unloader Valve |
| | POMPE SERIE PUMP SERIES | | C - CWT | | ATTACCHI CONNECTIONS | | ENTRATA / INLET G 3/8 F |
| | | | | | | | USCITA / OUTLET G 3/8 F BY-PASS G 3/8 F |
|  | 063656 | U 85/16 | 80.0 | 21.0 | 160 | 2320 | Valvola Regolazione con By-Pass Automatic Unloader Valve |
| | POMPE SERIE PUMP SERIES | | C - CK - CWT CX - GAMMA-IL NK - PENTA | | ATTACCHI CONNECTIONS | | ENTRATA / INLET G 1/2 F |
| | | | | | | | USCITA / OUTLET G 1/2 F BY-PASS G 1/2 F |
|  | 063655 | U 85/28 | 80.0 | 21.0 | 300 | 4350 | Valvola Regolazione con By-Pass Automatic Unloader Valve |
| | POMPE SERIE PUMP SERIES | | C - CK - CWT CX - GAMMA-IL NK - PENTA | | ATTACCHI CONNECTIONS | | ENTRATA / INLET G 1/2 F |
| | | | | | | | USCITA / OUTLET G 1/2 F BY-PASS G 1/2 F |
|  | 063672 | U 140/16 | 140.0 | 37.0 | 160 | 2320 | Valvola Regolazione con By-Pass Automatic Unloader Valve |
| | POMPE SERIE PUMP SERIES | | NK | | ATTACCHI CONNECTIONS | | ENTRATA / INLET G 3/4 F |
| | | | | | | | USCITA / OUTLET G 3/4 F BY-PASS G 3/4 F |
|  | 600547 | U 200/15 | 200.0 | 53.0 | 150 | 2175 | Valvola Regolazione con By-Pass Automatic Unloader Valve |
| | POMPE SERIE PUMP SERIES | | GAMMA-IL - PENTA - VX - VXX | | ATTACCHI CONNECTIONS | | ENTRATA / INLET G 1" F |
| | | | | | | | USCITA / OUTLET G 1" F BY-PASS G 1" F |

VALVOLE DI REGOLAZIONE PRESSIONE



| CODICE CODE | MODELLO MODEL | PORTATA FLOW | | PRESSIONE PRESSURE | | DESCRIZIONE DESCRIPTION |
|-----------------------------------|------------------|-----------------|------|--------------------------------|------|--|
| | | l/min | GPM | bar | PSI | |
| 063652 | U 200/28 | 200.0 | 53.0 | 280 | 4060 | Valvola Regolazione con By-Pass <i>Automatic Unloader Valve</i> |
| POMPE SERIE <i>PUMP SERIES</i> | | VX - VXX | | ATTACCHI <i>CONNECTIONS</i> | | ENTRATA / INLET G 1" F |
| | | | | | | USCITA / OUTLET G 1" F |
| | | | | | | BY-PASS G 1" F |



| | | | | | | |
|-----------------------------------|-----------------|-----------|-------|--------------------------------|------|---|
| 063690 | U 450/20 | 450.0 | 119.0 | 200 | 2900 | Valvola Regolazione con By-Pass - Bassa Pressione <i>Automatic Unloader Valve - Low Pressure</i> |
| POMPE SERIE <i>PUMP SERIES</i> | | HX | | ATTACCHI <i>CONNECTIONS</i> | | ENTRATA / INLET G 1 1/4 F |
| | | | | | | USCITA / OUTLET G 1 1/4 F |
| | | | | | | BY-PASS G 1 1/2 F |



| | | | | | | |
|-----------------------------------|-----------------|-----------|-------|--------------------------------|------|---|
| 063689 | U 450/30 | 450.0 | 119.0 | 300 | 4350 | Valvola Regolazione con By-Pass - Bassa Pressione <i>Automatic Unloader Valve - Low Pressure</i> |
| POMPE SERIE <i>PUMP SERIES</i> | | HX | | ATTACCHI <i>CONNECTIONS</i> | | ENTRATA / INLET G 1 1/4 F |
| | | | | | | USCITA / OUTLET G 1 1/4 F |
| | | | | | | BY-PASS G 1 1/2 F |



| | | | | | | |
|-----------------------------------|----------------|-----------------|------|--------------------------------|-----|---|
| 600531 | VRG 100 | 100.0 | 26.4 | 50 | 725 | Valvola Regolazione con Leva di Azzeramento Pressione <i>Control Unit with Shut Off Pressure Lever</i> |
| POMPE SERIE <i>PUMP SERIES</i> | | GAMMA 62 | | ATTACCHI <i>CONNECTIONS</i> | | ENTRATA / INLET G 3/4 M |
| | | | | | | USCITA / OUTLET |
| | | | | | | BY-PASS Ø 20 |



| | | | | | | |
|-----------------------------------|----------------|---------------------------|------|--------------------------------|------|---|
| 600505 | VRG 155 | 150.0 | 40.0 | 100 | 1450 | Valvola Regolazione con Leva di Azzeramento Pressione <i>Control Unit with Shut Off Pressure Lever</i> |
| POMPE SERIE <i>PUMP SERIES</i> | | GAMMA GAMMA-IL | | ATTACCHI <i>CONNECTIONS</i> | | ENTRATA / INLET G 3/4 M |
| | | | | | | USCITA / OUTLET |
| | | | | | | BY-PASS Ø 25 |



| | | | | | | |
|-----------------------------------|----------------|---------------------------|------|--------------------------------|------|---|
| 600508 | VRG 255 | 250.0 | 66.0 | 100 | 1450 | Valvola Regolazione con Leva di Azzeramento Pressione <i>Control Unit with Shut Off Pressure Lever</i> |
| POMPE SERIE <i>PUMP SERIES</i> | | GAMMA GAMMA-IL | | ATTACCHI <i>CONNECTIONS</i> | | ENTRATA / INLET G 3/4 M |
| | | | | | | USCITA / OUTLET |
| | | | | | | BY-PASS Ø 36 |

RELIEF
VALVES


| CODICE CODE | MODELLO MODEL | PORTATA FLOW | | PRESSIONE PRESSURE | | DESCRIZIONE DESCRIPTION |
|----------------------------|-------------------|---|-------|-------------------------|-------|---|
| | | l/min | GPM | bar | PSI | |
| 063702 | SV 220-24 | 24.0 | 6.4 | 220 | 3190 | Valvola di Massima Pressione Relief Valve |
| POMPE SERIE PUMP SERIES | | PN - PK - PKWT - B - BWT | | ATTACCHI CONNECTIONS | | ENTRATA / INLET G 3/8 F USCITA / OUTLET BY-PASS G 3/8 F |
| 181403 | SV 220-30 | 30.0 | 8.0 | 220 | 3190 | Valvola di Massima Pressione Relief Valve |
| POMPE SERIE PUMP SERIES | | B - BWT - C - CWT | | ATTACCHI CONNECTIONS | | ENTRATA / INLET G 3/8 F USCITA / OUTLET BY-PASS G 3/8 F |
| 181404 | SV 350-25 | 25.0 | 6.6 | 350 | 5075 | Valvola di Massima Pressione Relief Valve |
| POMPE SERIE PUMP SERIES | | BK - CK | | ATTACCHI CONNECTIONS | | ENTRATA / INLET G 3/8 F USCITA / OUTLET BY-PASS G 3/8 F |
| 063715 | SV 500-80 | 80.0 | 21.0 | 500 | 7250 | Valvola di Massima Pressione Relief Valve |
| POMPE SERIE PUMP SERIES | | CK - CH - NK - VX VH - PENTA - NH | | ATTACCHI CONNECTIONS | | ENTRATA / INLET G 1/2 F USCITA / OUTLET BY-PASS G 3/8 F |
| 600532 | SV 200-200 | 200.0 | 53.0 | 200 | 2900 | Valvola di Massima Pressione Relief Valve |
| POMPE SERIE PUMP SERIES | | C - CK - CX - NK - GAMMA-IL - VX - PENTA - VXX | | ATTACCHI CONNECTIONS | | ENTRATA / INLET G 3/4 F USCITA / OUTLET BY-PASS G 1/2 F |
| 063720 | SV 300-450 | 450.0 | 119.0 | 300 | 4350 | Valvola di Massima Pressione Relief Valve |
| POMPE SERIE PUMP SERIES | | HX | | ATTACCHI CONNECTIONS | | ENTRATA / INLET G 1 1/4 F USCITA / OUTLET BY-PASS G 1 1/4 F |
| 063721 | SV 800-40 | 40.0 | 10.5 | 800 | 11600 | Valvola di Massima Pressione Relief Valve |
| POMPE SERIE PUMP SERIES | | VY - PENTA | | ATTACCHI CONNECTIONS | | ENTRATA / INLET G 1/2 M USCITA / OUTLET BY-PASS G 3/8 F |
| 063663 | SV 1000-40 | 40.0 | 10.5 | 1000 | 11600 | Valvola di Massima Pressione Relief Valve |
| POMPE SERIE PUMP SERIES | | VY | | ATTACCHI CONNECTIONS | | ENTRATA / INLET G 1/2 M USCITA / OUTLET BY-PASS G 3/8 F |
| 063719 | V 1250-40 | 40.0 | 10.5 | 1250 | 18130 | Valvola di Massima Pressione Relief Valve |
| POMPE SERIE PUMP SERIES | | VY | | ATTACCHI CONNECTIONS | | ENTRATA / INLET G 1/2 M USCITA / OUTLET BY-PASS G 3/8 F |

ACCESSORI

| CODICE CODE | MODELLO MODEL | PORTATA FLOW | | PRESSIONE PRESSURE | | ENTRATA INLET | USCITA OUTLET | DESCRIZIONE DESCRIPTION | |
|---|------------------|-------------------|-------|-----------------------|------|------------------|------------------|----------------------------|--|
| | | l/min | GPM | bar | PSI | | | | |
|  | 121509 | KID 280/30 | 30.0 | 8.0 | 280 | 4060 | G 3/8 F | G 1/4 F | Pistola Gun |
|  | 121510 | GL 280/40 | 40.0 | 10.5 | 280 | 4060 | G 3/8 F | G 1/4 F | Pistola Gun |
|  | 121530 | GL 250/50 | 50.0 | 13.2 | 250 | 3625 | G 3/8 F | G 1/4 F | Pistola Gun |
|  | 121525 | GL 350/30 | 30.0 | 8.0 | 350 | 5075 | G 3/8 F | G 1/4 F | Pistola Gun |
|  | 121526 | GL 400/40 | 40.0 | 10.5 | 400 | 5800 | G 3/8 F | G 1/4 F | Pistola Gun |
|  | 121515 | GL 120/120 | 120.0 | 32.0 | 120 | 1740 | G 1/2 F | G 1/2 F | Pistola Gun |
|  | 121538 | GL 200/200 | 200.0 | 52.8 | 200 | 2900 | G 3/4 F | G 1/2 F | Pistola Gun |
|  | 1240E1 | GL 500/80 | 80.0 | 21.0 | 500 | 7250 | G 1/2 F | G 1/2 F | Pistola Gun |
|  | 121550 | G 1000 | 40.0 | 10.5 | 1000 | 14500 | G 3/8 F | 1/4 NPT | Pistola con Lancia Completa Complete Gun with Lance |
|  | 121551 | DG 1250 | 40.0 | 10.5 | 1250 | 18130 | G 1/2 M | G 1/2 spec | Pistola con Lancia a Scarico Libero Dump Gun |

ACCESSORIES






| CODICE CODE | PRESSIONE PRESSURE | | DESCRIZIONE DESCRIPTION |
|--|-----------------------|------------------------|--|
| | bar | PSI | |
|  Chiedere Informazioni <i>Ask Info</i> | Max 1000 Max 1000 | Max 14500 Max 14500 | Lance fino a 1000 bar (14500 PSI) Lances up to 1000 bar (14500 PSI) |
|  Chiedere Informazioni <i>Ask Info</i> | Max 1600 Max 1600 | Max 23200 Max 23200 | Manometri fino a 1600bar (23200 PSI) Gauges up to 1600 bar (23200 PSI) |
|  Chiedere Informazioni <i>Ask Info</i> | Max 1250 Max 1250 | Max 18130 Max 18130 | Ugelli fino a 1250 bar (18130 PSI) Gauges up to 1250 bar (18130 PSI) |
|  Chiedere Informazioni <i>Ask Info</i> | | | Tappi Manometro per Pompa Head Plugs for Gauge |
|  Chiedere Informazioni <i>Ask Info</i> | Max 225 Max 225 | Max 3260 Max 3260 | Tubi Alta Pressione fino a 225 bar (3260 PSI) Completati di Raccordi High Pressure Hoses up to 225 bar (3260 PSI) with Fittings |
|  Chiedere Informazioni <i>Ask Info</i> | Max 300 Max 300 | Max 4350 Max 4350 | Accumulatori Antipulsazioni fino a 300 bar (4350 PSI) Pulsation Dampeners up to 300 bar (4350 PSI) |
|  Chiedere Informazioni <i>Ask Info</i> | | | Accessori VY VY Accesories |
|  Chiedere Informazioni <i>Ask Info</i> | | | Kit Attrezzi Montaggio e Smontaggio Tenute Assembly / Disassembly tool Kit for Sealing |
| 870210 | | | Kit Piedi Pompa PN - PS - PK - PKWT - B - BS - BCW - BWT - BK Pump Rail Kit PN - PS - PK - PKWT - B - BS - BCW - BWT - BK |
| 870208 | | | Kit Piedi Pompa C - CS - CWT - CK - CX - CH Pump Rail Kit C - CS - CWT - CK - CX - CH |

TABELLA
UGELLI

| | | PRESSIONE / PRESSURE (bar - PSI) | | | | | | | | | | | | | | | | | | | |
|--------------|------|----------------------------------|-------|-------|-------|-------|-------|-------|-------|-------|-------|-------|-------|-------|-------|-------|-------|-------|-------|-------|--|
| TIPO TYPE | bar | 20 | 30 | 40 | 50 | 60 | 70 | 80 | 90 | 100 | 110 | 120 | 130 | 140 | 150 | 160 | 170 | 180 | 190 | 200 | |
| | PSI | 290 | 435 | 580 | 725 | 870 | 1015 | 1160 | 1305 | 1450 | 1595 | 1740 | 1885 | 2030 | 2175 | 2320 | 2465 | 2610 | 2755 | 2900 | |
| | Ø mm | PORTATA / Flow Rate (l/min) | | | | | | | | | | | | | | | | | | | |
| 015 | 0,80 | 1,5 | 1,9 | 2,2 | 2,4 | 2,6 | 2,8 | 3,0 | 3,2 | 3,4 | 3,6 | 3,7 | 3,9 | 4,0 | 4,2 | 4,3 | 4,4 | 4,6 | 4,7 | 4,8 | |
| 02 | 0,91 | 2,1 | 2,5 | 2,9 | 3,3 | 3,6 | 3,8 | 4,1 | 4,4 | 4,6 | 4,8 | 5,0 | 5,2 | 5,4 | 5,6 | 5,8 | 6,0 | 6,2 | 6,3 | 6,5 | |
| 025 | 1,00 | 2,5 | 3,1 | 3,5 | 4,0 | 4,3 | 4,7 | 5,0 | 5,3 | 5,6 | 5,9 | 6,1 | 6,4 | 6,6 | 6,9 | 7,1 | 7,3 | 7,5 | 7,7 | 7,9 | |
| 03 | 1,09 | 3,0 | 3,7 | 4,3 | 4,8 | 5,3 | 5,7 | 6,1 | 6,5 | 6,8 | 7,1 | 7,4 | 7,8 | 8,0 | 8,3 | 8,6 | 8,9 | 9,1 | 9,4 | 9,6 | |
| 035 | 1,15 | 3,6 | 4,4 | 5,1 | 5,7 | 6,2 | 6,7 | 7,2 | 7,6 | 8,0 | 8,4 | 8,8 | 9,1 | 9,5 | 9,8 | 10,1 | 10,4 | 10,7 | 11,0 | 11,3 | |
| 04 | 1,19 | 4,1 | 5,0 | 5,8 | 6,4 | 7,0 | 7,6 | 8,1 | 8,6 | 9,1 | 9,5 | 10,0 | 10,4 | 10,8 | 11,1 | 11,5 | 11,9 | 12,2 | 12,5 | 12,9 | |
| 045 | 1,27 | 4,6 | 5,6 | 6,5 | 7,3 | 8,0 | 8,6 | 9,2 | 9,8 | 10,3 | 10,8 | 11,3 | 11,7 | 12,2 | 12,6 | 13,0 | 13,4 | 13,8 | 14,2 | 14,6 | |
| 05 | 1,35 | 5,1 | 6,2 | 7,2 | 8,1 | 8,8 | 9,5 | 10,2 | 10,8 | 11,4 | 12,0 | 12,5 | 13,0 | 13,5 | 14,0 | 14,4 | 14,9 | 15,3 | 15,7 | 16,1 | |
| 055 | 1,40 | 5,6 | 6,8 | 7,9 | 8,8 | 9,7 | 10,5 | 11,2 | 11,9 | 12,5 | 13,1 | 13,7 | 14,3 | 14,8 | 15,3 | 15,8 | 16,3 | 16,8 | 17,2 | 17,7 | |
| 06 | 1,47 | 6,1 | 7,5 | 8,7 | 9,7 | 10,6 | 11,5 | 12,3 | 13,0 | 13,7 | 14,4 | 15,0 | 15,6 | 16,2 | 16,8 | 17,3 | 17,9 | 18,4 | 18,9 | 19,4 | |
| 065 | 1,52 | 6,6 | 8,1 | 9,4 | 10,5 | 11,5 | 12,4 | 13,2 | 14,0 | 14,8 | 15,5 | 16,2 | 16,9 | 17,5 | 18,1 | 18,7 | 19,3 | 19,9 | 20,4 | 20,9 | |
| 07 | 1,60 | 7,2 | 8,8 | 10,1 | 11,3 | 12,4 | 13,4 | 14,3 | 15,2 | 16,0 | 16,8 | 17,5 | 18,2 | 18,9 | 19,6 | 20,2 | 20,9 | 21,5 | 22,1 | 22,6 | |
| 075 | 1,65 | 7,6 | 9,4 | 10,8 | 12,1 | 13,2 | 14,3 | 15,3 | 16,2 | 17,1 | 17,9 | 18,7 | 19,5 | 20,2 | 20,9 | 21,6 | 22,3 | 22,9 | 23,6 | 24,2 | |
| 08 | 1,70 | 8,1 | 10,0 | 11,5 | 12,9 | 14,1 | 15,2 | 16,3 | 17,3 | 18,2 | 19,1 | 19,9 | 20,8 | 21,5 | 22,3 | 23,0 | 23,7 | 24,4 | 25,1 | 25,7 | |
| 085 | 1,75 | 8,7 | 10,6 | 12,3 | 13,7 | 15,0 | 16,2 | 17,4 | 18,4 | 19,4 | 20,3 | 21,3 | 22,1 | 23,0 | 23,8 | 24,5 | 25,3 | 26,0 | 26,7 | 27,4 | |
| 09 | 1,80 | 9,4 | 11,5 | 13,3 | 14,8 | 16,3 | 17,6 | 18,8 | 19,9 | 21,0 | 22,0 | 23,0 | 23,9 | 24,8 | 25,7 | 26,6 | 27,4 | 28,2 | 28,9 | 29,7 | |
| 095 | 1,85 | 9,8 | 12,0 | 13,9 | 15,6 | 17,0 | 18,4 | 19,7 | 20,9 | 22,0 | 23,1 | 24,1 | 25,1 | 26,0 | 26,9 | 27,8 | 28,7 | 29,5 | 30,3 | 31,1 | |
| 10 | 1,90 | 10,3 | 12,6 | 14,5 | 16,3 | 17,8 | 19,2 | 20,6 | 21,8 | 23,0 | 24,1 | 25,2 | 26,2 | 27,2 | 28,2 | 29,1 | 30,0 | 30,9 | 31,7 | 32,5 | |
| 105 | 1,94 | 10,7 | 13,2 | 16,6 | 18,2 | 18,6 | 19,9 | 20,1 | 22,8 | 23,5 | 25,2 | 25,7 | 27,4 | 28,4 | 28,8 | 30,4 | 30,6 | 32,2 | 33,1 | 33,2 | |
| 11 | 1,98 | 11,2 | 13,7 | 15,8 | 17,7 | 19,4 | 20,9 | 22,4 | 23,7 | 25,0 | 26,2 | 27,4 | 28,5 | 29,6 | 30,6 | 31,6 | 32,6 | 33,5 | 34,5 | 35,4 | |
| 115 | 2,03 | 11,6 | 14,2 | 16,4 | 18,4 | 20,1 | 21,8 | 23,3 | 24,7 | 26,0 | 27,3 | 28,5 | 29,6 | 30,8 | 31,8 | 32,9 | 33,9 | 34,9 | 35,8 | 36,8 | |
| 12 | 2,08 | 12,1 | 14,8 | 17,1 | 19,1 | 20,9 | 22,6 | 24,1 | 25,6 | 27,0 | 28,3 | 29,6 | 30,8 | 31,9 | 33,1 | 34,2 | 35,2 | 36,2 | 37,2 | 38,2 | |
| 125 | 2,13 | 12,5 | 15,3 | 17,7 | 19,8 | 21,7 | 23,4 | 25,0 | 26,6 | 28,0 | 29,4 | 30,7 | 31,9 | 33,1 | 34,3 | 35,4 | 36,5 | 37,6 | 38,6 | 39,6 | |
| 13 | 2,16 | 13,4 | 16,4 | 19,0 | 21,2 | 23,2 | 25,1 | 26,8 | 28,5 | 30,0 | 31,5 | 32,9 | 34,2 | 35,5 | 36,7 | 37,9 | 39,1 | 40,2 | 41,4 | 42,4 | |
| 14 | 2,26 | 14,3 | 17,5 | 20,2 | 22,6 | 24,8 | 26,8 | 28,6 | 30,4 | 32,0 | 33,6 | 35,1 | 36,5 | 37,9 | 39,2 | 40,5 | 41,7 | 42,9 | 44,1 | 45,3 | |
| 15 | 2,34 | 15,2 | 18,6 | 21,5 | 24,0 | 26,3 | 28,4 | 30,4 | 32,3 | 34,0 | 35,7 | 37,2 | 38,8 | 40,2 | 41,6 | 43,0 | 44,3 | 45,6 | 46,9 | 48,1 | |
| 16 | 2,41 | 16,1 | 19,7 | 22,8 | 25,5 | 27,9 | 30,1 | 32,2 | 34,2 | 36,0 | 37,8 | 39,4 | 41,0 | 42,6 | 44,1 | 45,5 | 46,9 | 48,3 | 49,6 | 50,9 | |
| 18 | 2,54 | 18,3 | 22,5 | 25,9 | 29,0 | 31,8 | 34,3 | 36,7 | 38,9 | 41,0 | 43,0 | 44,9 | 46,7 | 48,5 | 50,2 | 51,9 | 53,5 | 55,0 | 56,5 | 58,0 | |
| 20 | 2,69 | 20,6 | 25,2 | 29,1 | 32,5 | 35,6 | 38,5 | 41,1 | 43,6 | 46,0 | 48,2 | 50,4 | 52,4 | 54,4 | 56,3 | 58,2 | 60,0 | 61,7 | 63,4 | 65,1 | |
| 25 | 3,00 | 25,5 | 31,2 | 36,0 | 40,3 | 44,2 | 47,7 | 51,0 | 54,1 | 57,0 | 59,8 | 62,4 | 65,0 | 67,4 | 69,8 | 72,1 | 74,3 | 76,5 | 78,6 | 80,6 | |
| 30 | 3,30 | 30,4 | 37,2 | 43,0 | 48,1 | 52,7 | 56,9 | 60,8 | 64,5 | 68,0 | 71,3 | 74,5 | 77,5 | 80,5 | 83,3 | 86,0 | 88,7 | 91,2 | 93,7 | 96,2 | |
| 40 | 3,80 | 40,7 | 49,8 | 57,6 | 64,3 | 70,5 | 76,1 | 81,4 | 86,3 | 91,0 | 95,4 | 99,7 | 103,8 | 107,7 | 111,5 | 115,1 | 118,6 | 122,1 | 125,4 | 128,7 | |
| 50 | 4,20 | 51,0 | 62,4 | 72,1 | 80,6 | 88,3 | 95,4 | 102,0 | 108,1 | 114,0 | 119,6 | 124,9 | 130,0 | 134,9 | 139,6 | 144,2 | 148,6 | 152,9 | 157,1 | 161,2 | |
| 60 | 4,70 | 61,3 | 75,0 | 86,6 | 96,9 | 106,1 | 114,6 | 122,5 | 130,0 | 137,0 | 143,7 | 150,1 | 156,2 | 162,1 | 167,8 | 173,3 | 178,6 | 183,8 | 188,8 | 193,7 | |
| 70 | 5,1 | 71,6 | 87,6 | 101,2 | 113,1 | 123,9 | 133,9 | 143,1 | 151,8 | 160,0 | 167,8 | 175,3 | 182,4 | 189,3 | 196,0 | 202,4 | 208,6 | 214,7 | 220,5 | 226,3 | |
| 80 | 5,5 | 81,4 | 99,7 | 115,1 | 128,7 | 141,0 | 152,3 | 162,8 | 172,7 | 182,0 | 190,9 | 199,4 | 207,5 | 215,3 | 222,9 | 230,2 | 237,3 | 244,2 | 250,9 | 257,4 | |
| 90 | 5,9 | 91,7 | 112,3 | 129,7 | 145,0 | 158,8 | 171,5 | 183,4 | 194,5 | 205,0 | 215,0 | 224,6 | 233,7 | 242,6 | 251,1 | 259,3 | 267,3 | 275,0 | 282,6 | 289,9 | |

NOZZLES CHART

| TIPO TYPE | PRESSIONE / PRESSURE (bar - PSI) | | | | | | | | | | | | | | | | | | | |
|--------------|----------------------------------|-----------------------------|-------|-------|-------|-------|-------|-------|-------|-------|-------|-------|-------|-------|-------|-------|-------|-------|-------|-------|
| | bar | 210 | 220 | 230 | 240 | 250 | 280 | 300 | 350 | 400 | 450 | 500 | 550 | 600 | 700 | 800 | 900 | 1000 | 1100 | 1250 |
| | PSI | 3045 | 3190 | 3335 | 3480 | 3625 | 4060 | 4350 | 5075 | 5800 | 6525 | 7250 | 7975 | 8700 | 10150 | 11600 | 13050 | 14500 | 15955 | 18130 |
| | Ø mm | PORTATA / Flow Rate (l/min) | | | | | | | | | | | | | | | | | | |
| 015 | 0,80 | 4,9 | 5,0 | 5,2 | 5,3 | 5,4 | 5,7 | 5,9 | 6,4 | 6,8 | 7,2 | 7,6 | 8,0 | 8,3 | 8,9 | 9,5 | 10,1 | 10,6 | 11,1 | 11,9 |
| 02 | 0,91 | 6,7 | 6,8 | 7,0 | 7,1 | 7,3 | 7,7 | 8,0 | 8,6 | 9,2 | 9,8 | 10,3 | 10,8 | 11,3 | 11,8 | 12,6 | 13,4 | 14,1 | 14,8 | 15,8 |
| 025 | 1,00 | 8,1 | 8,3 | 8,5 | 8,7 | 8,9 | 9,4 | 9,7 | 10,5 | 11,2 | 11,9 | 12,5 | 13,1 | 13,7 | 14,8 | 15,8 | 16,8 | 17,7 | 18,5 | 19,8 |
| 03 | 1,09 | 9,9 | 10,1 | 10,3 | 10,5 | 10,8 | 11,4 | 11,8 | 12,7 | 13,6 | 14,4 | 15,2 | 15,9 | 16,7 | 17,7 | 19,0 | 20,1 | 21,2 | 22,2 | 23,7 |
| 035 | 1,15 | 11,6 | 11,9 | 12,1 | 12,4 | 12,6 | 13,4 | 13,9 | 15,0 | 16,0 | 17,0 | 17,9 | 18,8 | 19,6 | 20,7 | 22,1 | 23,5 | 24,7 | 26,0 | 27,7 |
| 04 | 1,19 | 13,2 | 13,5 | 13,8 | 14,1 | 14,4 | 15,2 | 15,8 | 17,0 | 18,2 | 19,3 | 20,3 | 21,3 | 22,3 | 23,7 | 25,3 | 26,8 | 28,3 | 29,7 | 31,6 |
| 045 | 1,27 | 14,9 | 15,3 | 15,6 | 16,0 | 16,3 | 17,2 | 17,8 | 19,3 | 20,6 | 21,8 | 23,0 | 24,2 | 25,2 | 26,6 | 28,5 | 30,2 | 31,8 | 33,4 | 35,6 |
| 05 | 1,35 | 16,5 | 16,9 | 17,3 | 17,7 | 18,0 | 19,1 | 19,7 | 21,3 | 22,8 | 24,2 | 25,5 | 26,7 | 27,9 | 29,6 | 31,6 | 33,5 | 35,4 | 37,1 | 39,5 |
| 055 | 1,40 | 18,1 | 18,5 | 19,0 | 19,4 | 19,8 | 20,9 | 21,7 | 23,4 | 25,0 | 26,5 | 28,0 | 29,3 | 30,6 | 32,5 | 34,8 | 36,9 | 38,9 | 40,8 | 43,5 |
| 06 | 1,47 | 19,9 | 20,3 | 20,8 | 21,2 | 21,7 | 22,9 | 23,7 | 25,6 | 27,4 | 29,1 | 30,6 | 32,1 | 33,6 | 35,5 | 37,9 | 40,2 | 42,4 | 44,5 | 47,4 |
| 065 | 1,52 | 21,4 | 22,0 | 22,4 | 22,9 | 23,4 | 24,8 | 25,6 | 27,7 | 29,6 | 31,4 | 33,1 | 34,7 | 36,3 | 38,5 | 41,1 | 43,6 | 46,0 | 48,2 | 51,4 |
| 07 | 1,60 | 23,2 | 23,7 | 24,3 | 24,8 | 25,3 | 26,8 | 27,7 | 29,9 | 32,0 | 33,9 | 35,8 | 37,5 | 39,2 | 41,4 | 44,3 | 47,0 | 49,5 | 51,9 | 55,3 |
| 075 | 1,65 | 24,8 | 25,4 | 25,9 | 26,5 | 27,0 | 28,6 | 29,6 | 32,0 | 34,2 | 36,3 | 38,2 | 40,1 | 41,9 | 44,4 | 47,4 | 50,3 | 53,0 | 55,6 | 59,3 |
| 08 | 1,70 | 26,4 | 27,0 | 27,6 | 28,2 | 28,8 | 30,5 | 31,5 | 34,0 | 36,4 | 38,6 | 40,7 | 42,7 | 44,6 | 47,3 | 50,6 | 53,7 | 56,6 | 59,3 | 63,2 |
| 085 | 1,75 | 28,1 | 28,8 | 29,4 | 30,1 | 30,7 | 32,5 | 33,6 | 36,3 | 38,8 | 41,2 | 43,4 | 45,5 | 47,5 | 50,3 | 53,8 | 57,0 | 60,1 | 63,0 | 67,2 |
| 09 | 1,80 | 30,4 | 31,1 | 31,8 | 32,5 | 33,2 | 35,1 | 36,4 | 39,3 | 42,00 | 44,5 | 47,0 | 49,2 | 51,4 | 53,2 | 56,9 | 60,4 | 63,6 | 66,7 | 71,2 |
| 095 | 1,85 | 31,9 | 32,6 | 33,4 | 34,1 | 34,8 | 36,8 | 38,1 | 41,2 | 44,0 | 46,7 | 49,2 | 51,6 | 53,9 | 56,2 | 60,1 | 63,7 | 67,2 | 70,5 | 75,1 |
| 10 | 1,90 | 33,3 | 34,1 | 34,9 | 35,6 | 36,4 | 38,5 | 39,8 | 43,0 | 46,0 | 48,8 | 51,4 | 53,9 | 56,3 | 59,2 | 63,2 | 67,1 | 70,7 | 74,2 | 79,1 |
| 105 | 1,94 | 34,8 | 34,8 | 36,4 | 37,2 | 37,1 | 39,3 | 40,7 | 43,9 | 47,0 | 51,0 | 52,5 | 56,3 | 57,5 | 62,1 | 66,4 | 70,4 | 74,2 | 79,7 | 84,9 |
| 11 | 1,98 | 36,2 | 37,1 | 37,9 | 38,7 | 39,5 | 41,8 | 43,3 | 46,8 | 50,0 | 53,0 | 55,9 | 58,6 | 61,2 | 65,1 | 69,6 | 73,8 | 77,8 | 81,6 | 87 |
| 115 | 2,03 | 37,7 | 38,6 | 39,4 | 40,3 | 41,1 | 43,5 | 45,0 | 48,6 | 52,0 | 55,2 | 58,1 | 61,0 | 63,7 | 68,0 | 72,7 | 77,1 | 81,3 | 85,3 | 90,9 |
| 12 | 2,08 | 39,1 | 40,0 | 40,9 | 41,8 | 42,7 | 45,2 | 46,8 | 50,5 | 54,0 | 57,3 | 60,4 | 63,3 | 66,1 | 71,0 | 75,9 | 80,5 | 84,9 | 89,0 | 94,9 |
| 125 | 2,13 | 40,6 | 41,5 | 42,5 | 43,4 | 44,3 | 46,9 | 48,5 | 52,4 | 56,0 | 59,4 | 62,6 | 65,7 | 68,6 | 74,0 | 79,1 | 83,9 | 88,4 | 92,7 | 98,8 |
| 13 | 2,16 | 43,5 | 44,5 | 45,5 | 46,5 | 47,4 | 50,2 | 52,0 | 56,1 | 60,00 | 63,6 | 67,1 | 70,4 | 73,5 | 76,9 | 82,2 | 87,2 | 91,9 | 96,4 | 102,8 |
| 14 | 2,26 | 46,4 | 47,5 | 48,5 | 49,6 | 50,6 | 53,5 | 55,4 | 59,9 | 64,0 | 67,9 | 71,6 | 75,0 | 78,4 | 82,8 | 88,5 | 93,9 | 99,0 | 103,8 | 110,7 |
| 15 | 2,34 | 49,3 | 50,4 | 51,6 | 52,7 | 53,8 | 56,9 | 58,9 | 63,6 | 68,0 | 72,1 | 76,0 | 79,7 | 83,3 | 88,7 | 94,9 | 100,6 | 106,1 | 111,2 | 118,6 |
| 16 | 2,41 | 52,2 | 53,4 | 54,6 | 55,8 | 56,9 | 60,2 | 62,4 | 67,3 | 72,0 | 76,4 | 80,5 | 84,4 | 88,2 | 94,7 | 101,2 | 107,3 | 113,1 | 118,7 | 126,5 |
| 18 | 2,54 | 59,4 | 60,8 | 62,2 | 63,5 | 64,8 | 68,6 | 71,0 | 76,7 | 82,0 | 87,0 | 91,7 | 96,2 | 100,4 | 106,5 | 113,8 | 120,7 | 127,3 | 133,5 | 142,3 |
| 20 | 2,69 | 66,7 | 68,2 | 69,8 | 71,3 | 72,7 | 77,0 | 79,7 | 86,1 | 92,0 | 97,6 | 102,9 | 107,9 | 112,7 | 118,3 | 126,5 | 134,2 | 141,4 | 148,3 | 158,1 |
| 25 | 3,00 | 82,6 | 84,5 | 86,4 | 88,3 | 90,1 | 95,4 | 98,7 | 106,6 | 114,0 | 120,9 | 127,5 | 133,7 | 139,6 | 147,9 | 158,1 | 167,7 | 176,8 | 185,4 | 197,6 |
| 30 | 3,30 | 98,5 | 100,9 | 103,1 | 105,3 | 107,5 | 113,8 | 117,8 | 137,2 | 136,0 | 144,2 | 152,1 | 159,5 | 166,6 | 177,5 | 189,7 | 201,2 | 212,1 | 222,5 | 237,2 |
| 40 | 3,80 | 131,9 | 135,0 | 138,0 | 141,0 | 143,9 | 152,3 | 157,6 | 170,2 | 182,0 | 193,0 | 203,5 | 213,4 | 222,9 | 236,6 | 253,0 | 268,3 | 282,8 | 296,6 | 316,2 |
| 50 | 4,20 | 165,2 | 169,1 | 172,9 | 176,6 | 180,2 | 190,8 | 197,5 | 213,3 | 228,0 | 241,8 | 254,9 | 267,4 | 279,2 | 295,8 | 316,2 | 335,4 | 353,6 | 370,8 | 395,3 |
| 60 | 4,70 | 198,5 | 203,2 | 207,8 | 212,2 | 216,6 | 229,2 | 237,3 | 256,3 | 274,0 | 290,6 | 306,3 | 321,3 | 335,6 | 355,0 | 379,5 | 402,5 | 424,3 | 445,0 | 474,3 |
| 70 | 5,1 | 231,9 | 237,3 | 242,7 | 247,9 | 253,0 | 267,7 | 277,1 | 299,3 | 320,0 | 339,4 | 357,8 | 375,2 | 391,9 | 423,2 | 452,4 | 479,9 | 505,8 | 530,5 | 565,5 |
| 80 | 5,5 | 263,7 | 269,9 | 276,0 | 282,0 | 287,8 | 304,5 | 315,2 | 340,5 | 364,0 | 386,1 | 407,0 | 426,8 | 445,8 | 481,2 | 514,4 | 545,6 | 575,1 | 603,2 | 643,0 |
| 90 | 5,9 | 297,1 | 304,1 | 310,9 | 317,6 | 324,1 | 343,0 | 355,1 | 383,5 | 410,0 | 434,9 | 458,4 | 480,8 | 502,1 | 542,3 | 579,7 | 614,9 | 648,2 | 679,8 | 724,7 |



USA

UDOR U.S.A. INC.
500 Apollo Drive · Lino Lakes
55014 Minnesota · USA

Tel.: (+1) 651 7850666
Fax: (+1) 651 7850669
info@udorusa.com
www.udorusa.com



ARGENTINA

UDOR ARGENTINA S.A
Paraná 975 · Rosario (2000)
Santa Fe · ARGENTINA

juanmolteni@udorargentina.com.ar
www.udorargentina.com.ar

HEADQUARTERS
ITALY

UDOR S.p.A.
Via A. Corradini, 2
42048 Rubiera (Reggio Emilia) · ITALY

Tel.: (+39) 0522 628249
Fax: (+39) 0522 628953
info@udor.it
www.udor.it



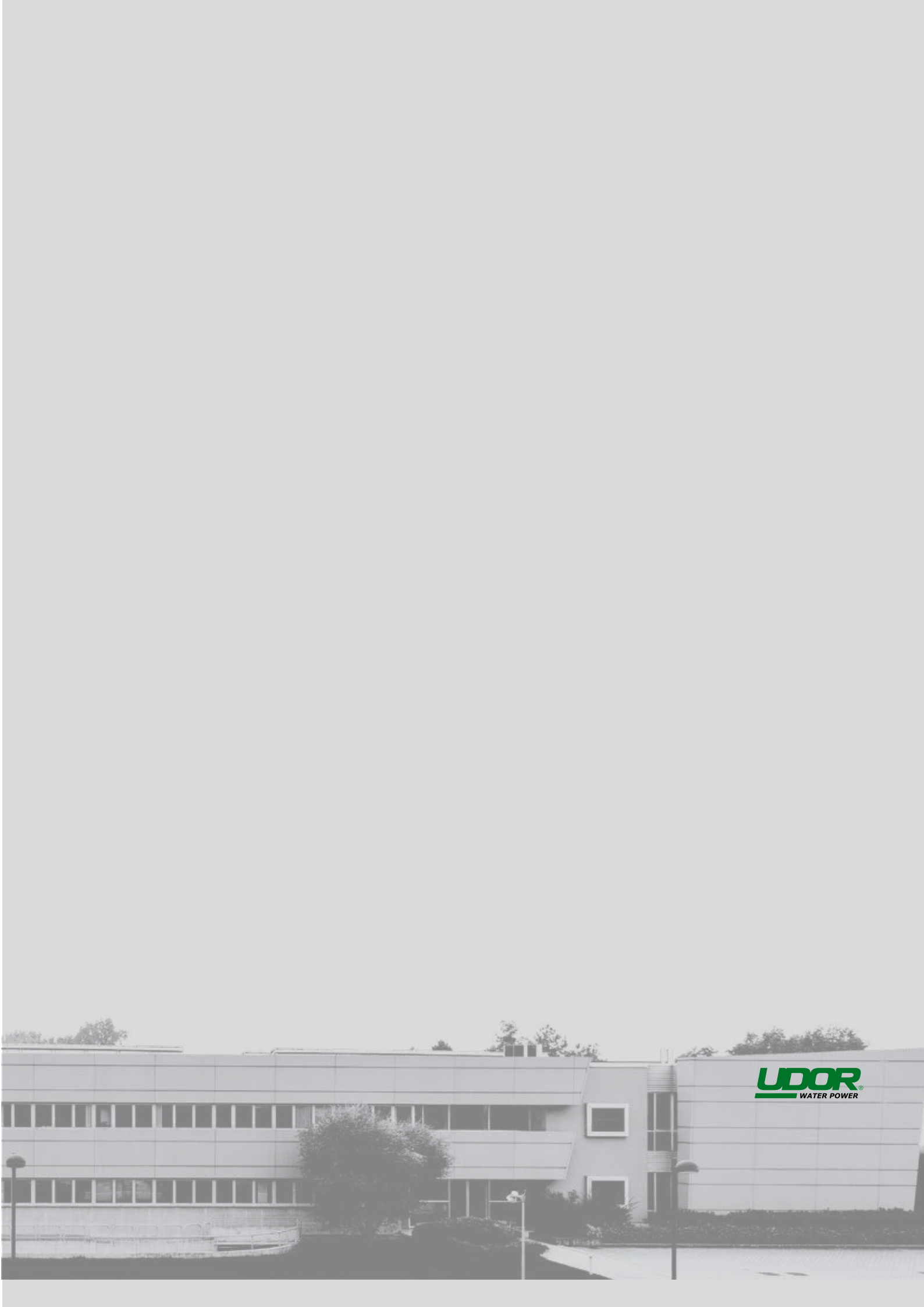
CHINA

UDOR SHANGHAI CO. LTD
Room 814, Block A, 596
Middle Longhua Road · SHANGHAI

Tel.: +86-021-34161859
Fax: +86-021-34161396
info@udor.it
www.udor-china.com







UDOR
WATER POWER

Formulario semplificato

Simplified form

Q_D : Portata Desiderata / *Desired Flow Rate*

Q_R : Portata Reale / *Real Flow Rate*

RPM_R : RPM Targa / *Plate RPM*

RPM_D : RPM Desiderati / *Desired RPM*

RPM_D ?

$$RPM_D = RPM_R \times (Q_D / Q_R)$$

Q_D ?

$$Q_D = Q_R \times (RPM_D / RPM_R)$$

Coppia Motrice / Torque

$$C \text{ [Nm]} = 9550 \times P \text{ [kW]} / \text{RPM}$$

Potenza / Power

Motori Elettrici / *Electric Motors*

$$P \text{ [HP]} = Q \text{ [l/min]} \times p \text{ [bar]} / 390$$

$$P \text{ [kW]} = Q \text{ [l/min]} \times p \text{ [bar]} / 530$$

Conversioni / Conversions

l/min ↔ GPM

$$Q \text{ [l/min]} = 3,785 \times Q \text{ [GPM]}$$

$$Q \text{ [GPM]} = 0,264 \times Q \text{ [l/min]}$$

bar ↔ PSI

$$p \text{ [bar]} = 0,069 \times p \text{ [PSI]}$$

$$p \text{ [PSI]} = 14,504 \times p \text{ [bar]}$$

HP ↔ kW

$$P \text{ [HP]} = 1,341 \times P \text{ [kW]}$$

$$P \text{ [kW]} = 0,746 \times P \text{ [HP]}$$

Lettera Identificativa RPM Pompe UDOR

RPM Identification Letter of UDOR Pumps

Esempi / Examples: BC 15/20 S - VX-B 130/160 R

A → 800 RPM

N → 900 RPM

B → 1000 RPM

F → 1200 RPM

C → 1450 RPM

D → 1750 RPM

M → 2200 RPM

E → 2800 RPM

L → 3400 RPM

I modelli GAMMA e GAMMA-IL non hanno lettera identificativa.

GAMMA and GAMMA-IL models do not have an identification letter.



UDOR S.p.A.
Via A. Corradini, 2
42048 Rubiera (Reggio Emilia) - ITALY
Tel. (+39) 0522 628249
Fax (+39) 0522 628953
info@udor.it
www.udor.it



Seguici anche su
Follow us on

